



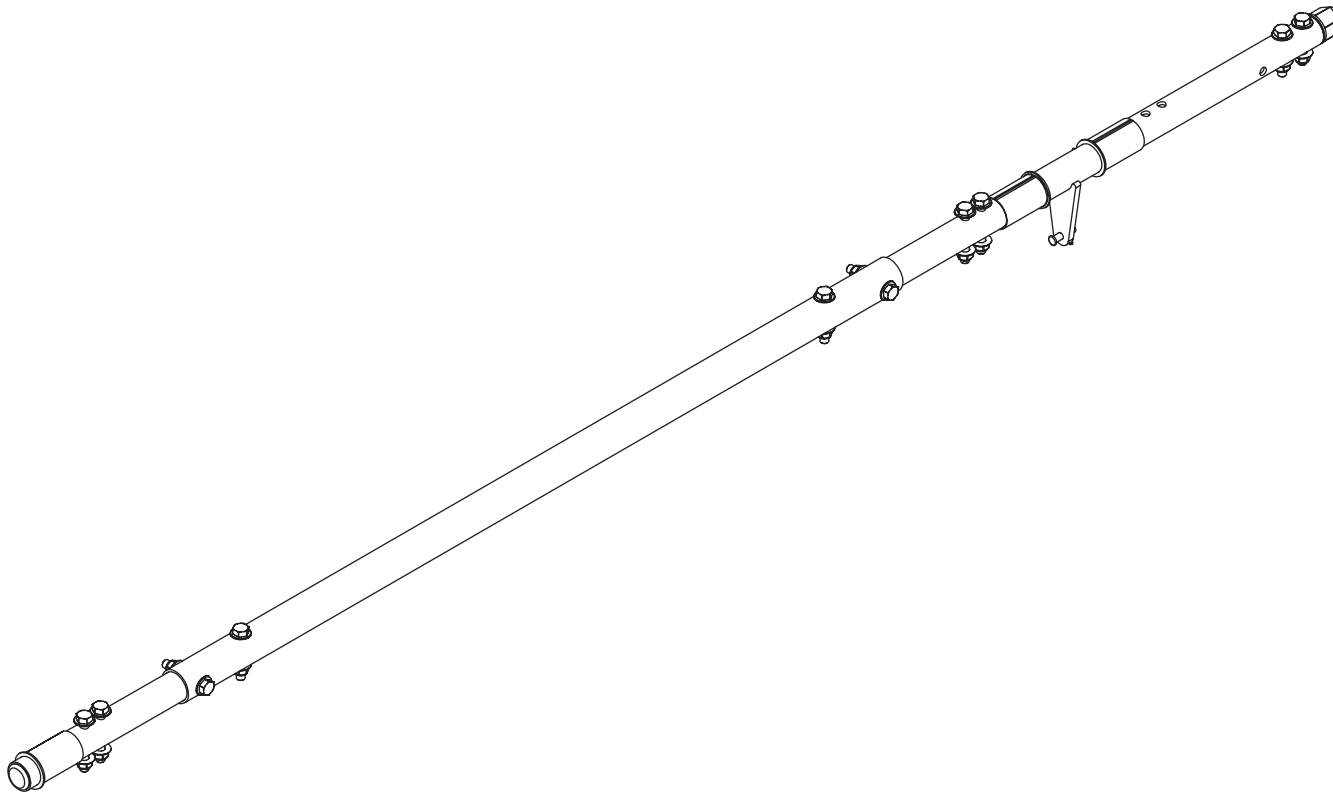
PRIME DESIGN™



INSTALLATION INSTRUCTIONS

ErgoRack

FEA-0026 / Universal Drive Shaft Assembly, 4Ft - 5Ft



ErgoRack®

Doc#: USAM-FEA-0026-US01 REV A 0125

PRIME DESIGN, A SAFE FLEET BRAND • WEBSITE: WWW.PRIMEDESIGN.NET • TM & © 2024 PRIME DESIGN. PROTECTED BY ONE OR MORE OF THE FOLLOWING PATENT NO.'S 6764268, 6971563, 8511525, 8991889, 9102482, 9415726, 9481314, 9506292, 9776476, 9796340, 10470565, 10486608, 10501022, 10578182, 10654420, 10688937, 10836312 AND OTHER PATENTS PENDING

580 Opperman Drive, Suite 100, Eagan, Minnesota 55123 • (877) 463-7225 or contact us at pd-info@safefleet.net



Table of Contents

FEA-0026

Tools & Parts

Assembly Requirements..... 1

Universal Drive Shaft Assembly (4ft - 5ft) / FEA-0026 2

Driveshaft Hardware Kit / HKT-0277 3

Rotation Assembly Sequence..... 4

Universal ErgoRack Service Part Assembly 5

System Installation

Rear Drive Shaft (Two Vehicle-Based Positions)..... 6-7

Cylinder Hardware & Connecting Bar 8

Front Drive Shaft..... 9

Drive Shaft Sealing 10



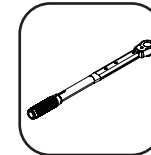
Assembly Requirements

FEA-0026

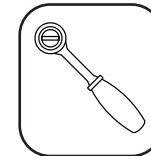


INSTALLER NOTE: It is important to correctly follow these assembly instructions. These instructions for assembly are provided by the manufacturer at time of ErgoRack delivery, and reflect the technical specifications applicable at the time of writing.

- These instructions are subject to change if the manufacturer revises the parts and/or production of the subsystems and accessories used in the brand's vehicles. Following the instructions for assembly will ensure proper installation of the product. The manufacturer will not be held liable if these instructions are not followed.
- The addition of parts and/or components not original to this ErgoRack are discouraged. Use only OEM supplied parts.
- Consultaion of the OEM vehicle may be required during assembly to avoid vehicle damage. Ensure bolt locations will not damage any critical parts of the vehicle—i.e. gas tank, wiring harnesses, or hoses-before drilling.



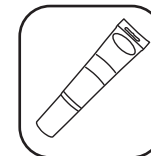
Torque Wrench



Ratcheting Wrench



13 MM Socket



Silicone Sealant (Not Included)

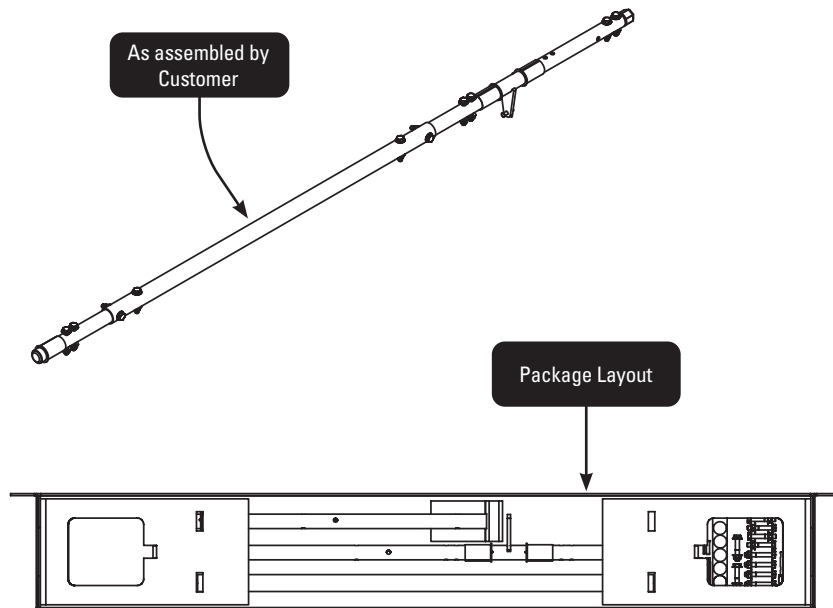
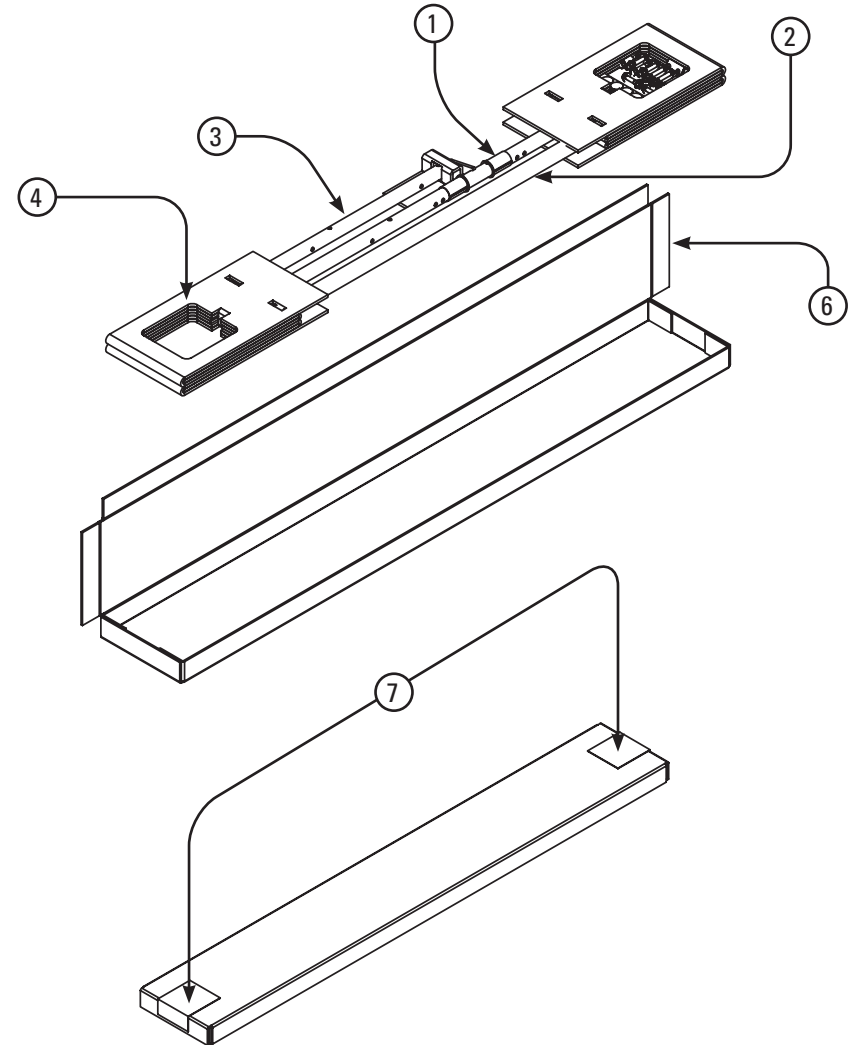


INSTALLATION INSTRUCTIONS

ITEM	DESCRIPTION	QTY
1	UNIVERSAL DRIVE SHAFT REAR ASSY	1
2	CONNECTING BAR, 3' PAINT	1
3	SHORT UNIVERSAL DRIVESHAFT FRONT	1
4	DRIVESHAFT HARDWARE KIT	1
5	TEMPLATE UNI. DRIVE SHAFT INSERT (NOT SHOWN)	5
6	BOX, L(60") X W(8.75") X D(1.88")	1
7	LABEL BLUE 4IN X 6IN FEA-0026 BOX	2

For a list of replacement parts, see page 5.

Universal Drive Shaft Assembly (4ft - 5ft) / FEA-0026

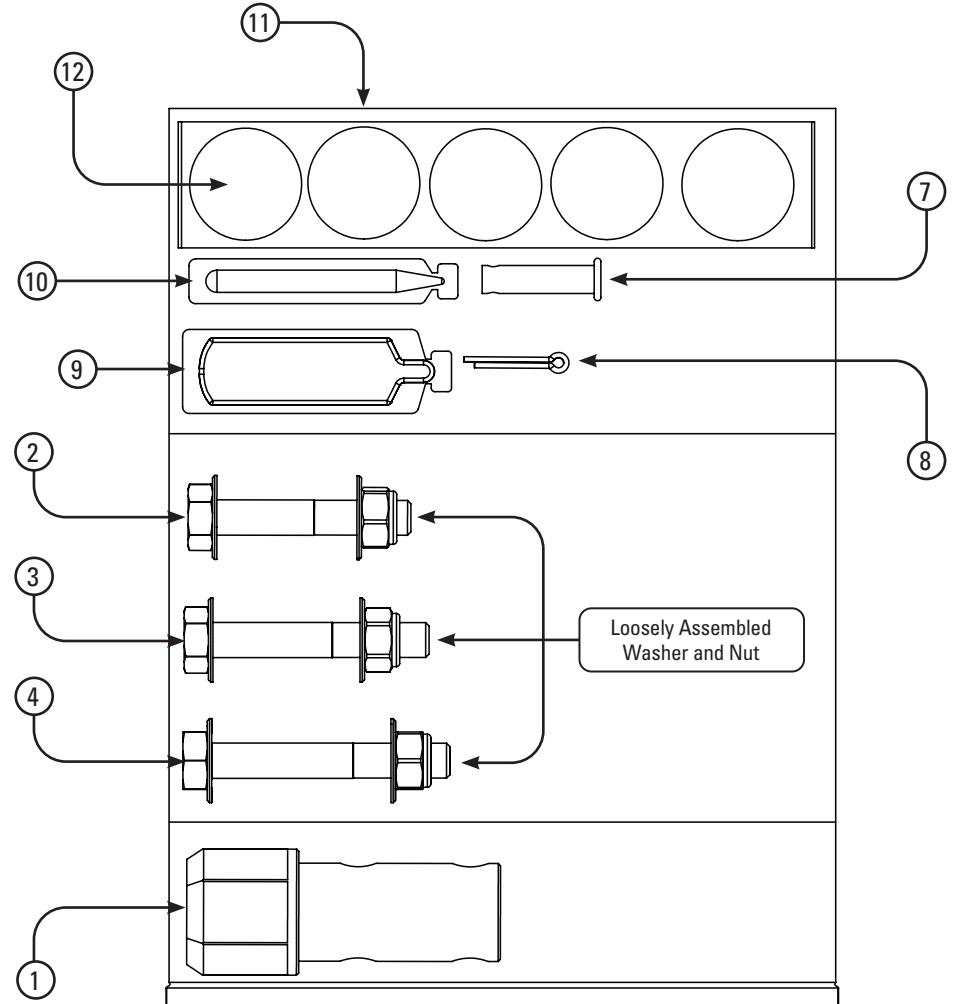
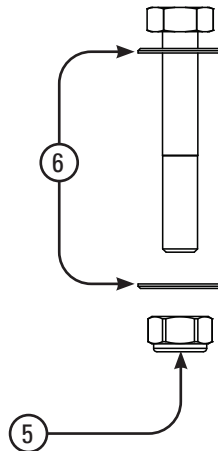
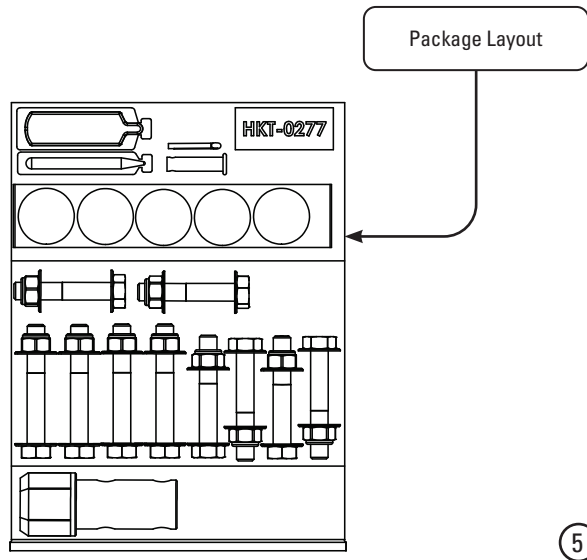




INSTALLATION INSTRUCTIONS

Driveshaft Hardware Kit / HKT-0277

ITEM	DESCRIPTION	QTY
1	DRIVE SHAFT HEX STUD, 25MM"	1
2	M8 X 45MM HEX HEAD BOLT	2
3	M8 X 50MM HEX HEAD BOLT	4
4	M8 X 55MM HEX HEAD BOLT	4
5	M8 LOCKNUT	10
6	5/16" FLAT WASHER	20
7	CYLINDER CLEVIS PIN	1
8	3/32 X .75 COTTER PIN, SST	1
9	ANTI-SEIZE C-5 - 2ML CLEAR PACK 2.0 GRAM	1
10	BUSHING LUBRICANT	1
11	BAG, POLY 4 MIL 6 IN X 8 IN	1
12	HOLE COVER 1 IN x 1 IN	20





INSTALLATION INSTRUCTIONS

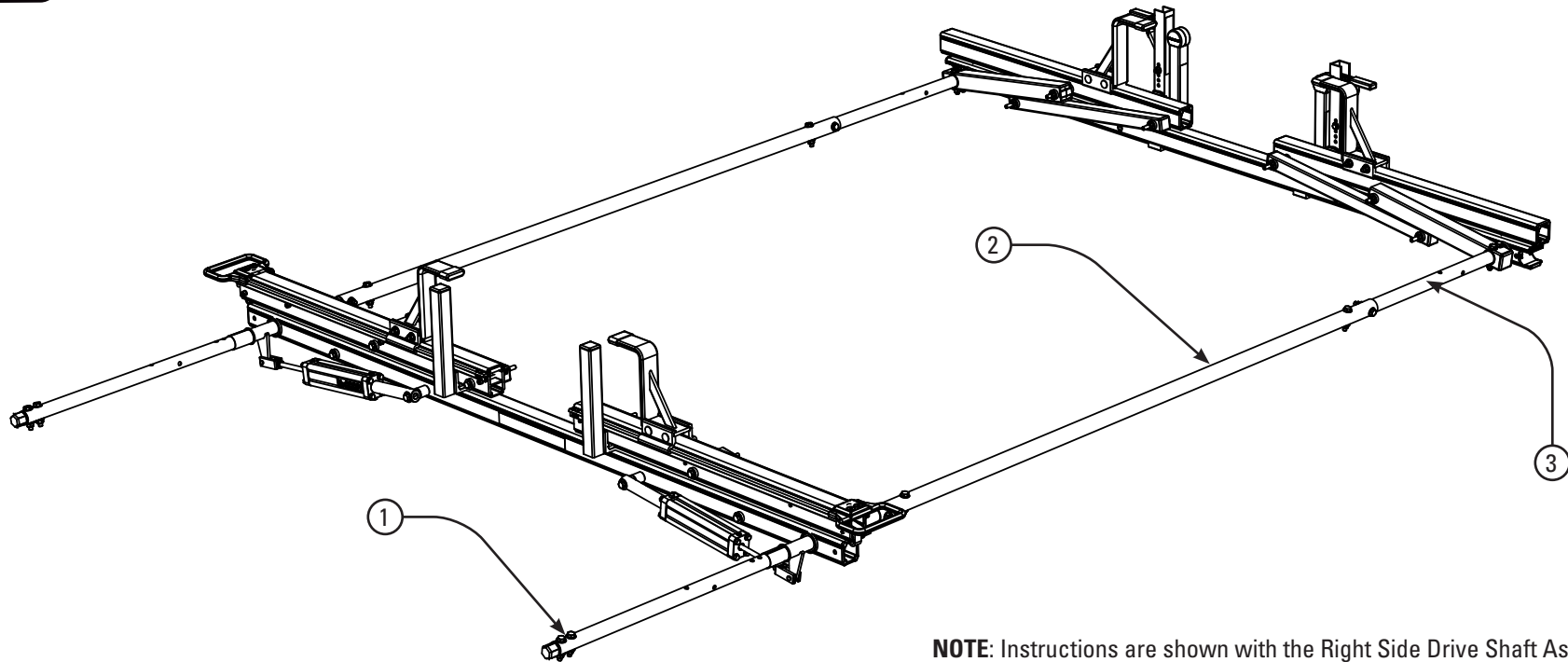
Rotation Assembly Sequence

ITEM	DESCRIPTION
1	REAR DRIVESHAFT (MULTI-POSITION)
2	CONNECTING BAR
3	FRONT DRIVE SHAFT
4	DRIVE SHAFT HARDWARE KIT (PAGE 3)



Usage: Short drive shaft assembly for three crossbar configurations to carry short ladders.

NOTE: Crossbars and RH Rotation feature are shown for illustrative purposes only. Crossbars and Rotations are not included with this Drive Shaft feature, and must be purchased separately.



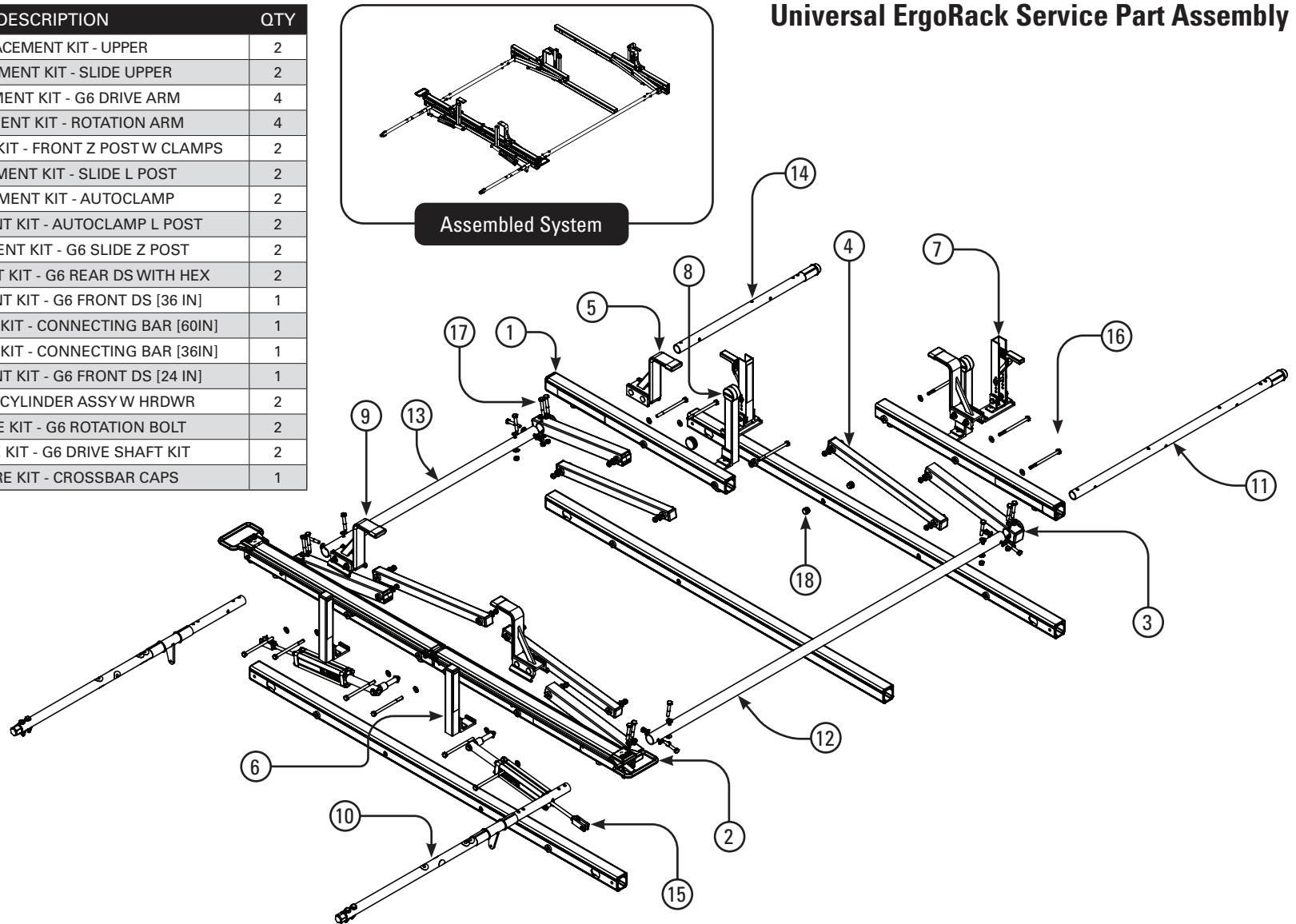
NOTE: Instructions are shown with the Right Side Drive Shaft Assembly Sequence. The Left Side Drive Shaft Assembly Sequence is identical, and all steps are the same.



INSTALLATION INSTRUCTIONS

ITEM	PART #	DESCRIPTION	QTY
1	RKT-8000	REPLACEMENT KIT - UPPER	2
2	RKT-8001	REPLACEMENT KIT - SLIDE UPPER	2
3	RKT-8002	REPLACEMENT KIT - G6 DRIVE ARM	4
4	RKT-8003	REPLACEMENT KIT - ROTATION ARM	4
5	RKT-8004	REPLACEMENT KIT - FRONT Z POST W CLAMPS	2
6	RKT-8005	REPLACEMENT KIT - SLIDE L POST	2
7	RKT-8006	REPLACEMENT KIT - AUTOCLAMP	2
8	RKT-8007	REPLACEMENT KIT - AUTOCLAMP L POST	2
9	RKT-8008	REPLACEMENT KIT - G6 SLIDE Z POST	2
10	RKT-8009	REPLACEMENT KIT - G6 REAR DS WITH HEX	2
11	RKT-8010	REPLACEMENT KIT - G6 FRONT DS [36 IN]	1
12	RKT-8012	REPLACEMENT KIT - CONNECTING BAR [60IN]	1
13	RKT-8013	REPLACEMENT KIT - CONNECTING BAR [36IN]	1
14	RKT-8011	REPLACEMENT KIT - G6 FRONT DS [24 IN]	1
15	ACL-125	HYDRAULIC CYLINDER ASSY W HRDWR	2
16	HKT-8210	HARDWARE KIT - G6 ROTATION BOLT	2
17	HKT-8211	HARDWARE KIT - G6 DRIVE SHAFT KIT	2
18	HKT-8212	HARDWARE KIT - CROSSBAR CAPS	1

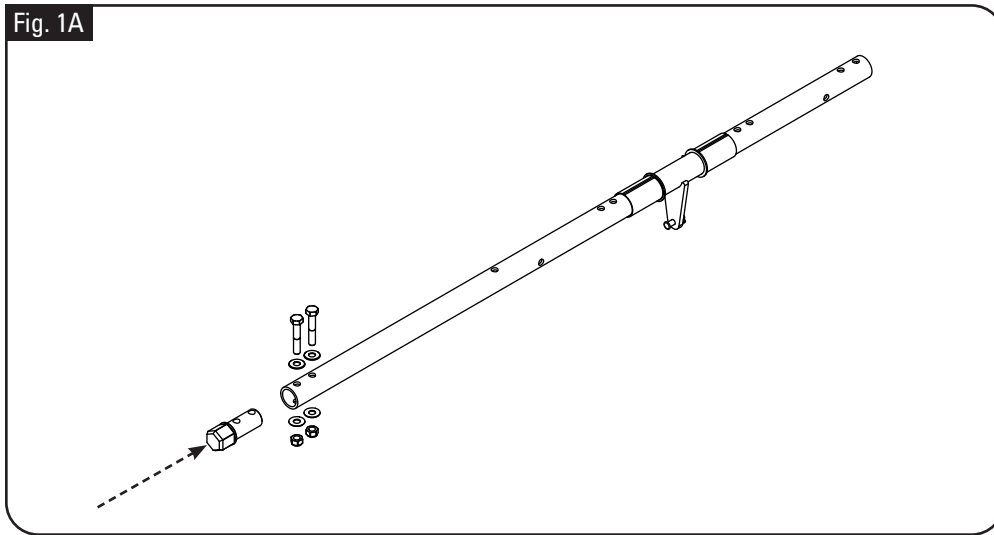
Universal ErgoRack Service Part Assembly





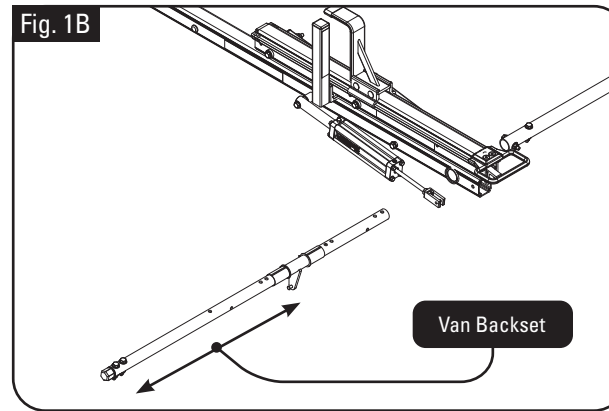
Rear Drive Shaft (Two Vehicle-Based Positions)

Fig. 1A



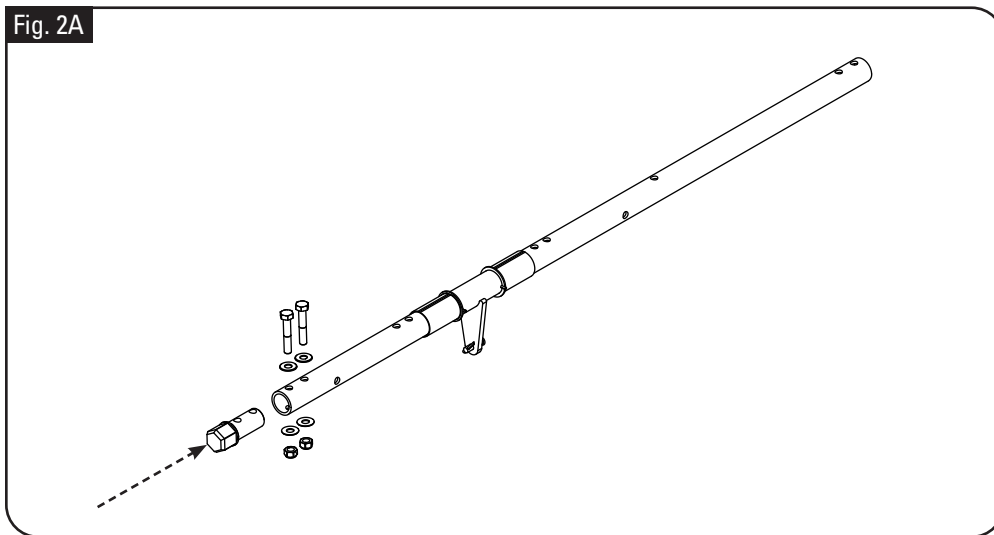
Step 1 (Van): Orient rear driveshaft according to vehicle requirements (Fig. 1A). Using M8 X 45 MM hex head bolt and hardware within hardware kit, install hex stud onto rear driveshaft end. Torque bolts to 90 in-lbs.

Fig. 1B



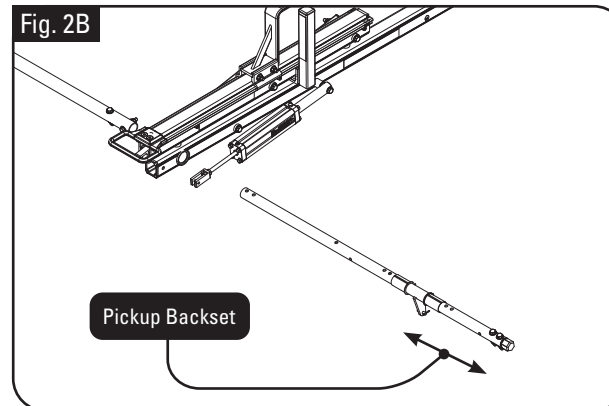
Van: Longer rear (Fig. 1B).

Fig. 2A



Step 2 (Pickup): Orient rear driveshaft according to vehicle requirements (Fig. 2A). Using M8 X 45 MM hex head bolt and hardware within hardware kit, install hex stud onto rear driveshaft end. Torque bolts to 90 in-lbs.

Fig. 2B

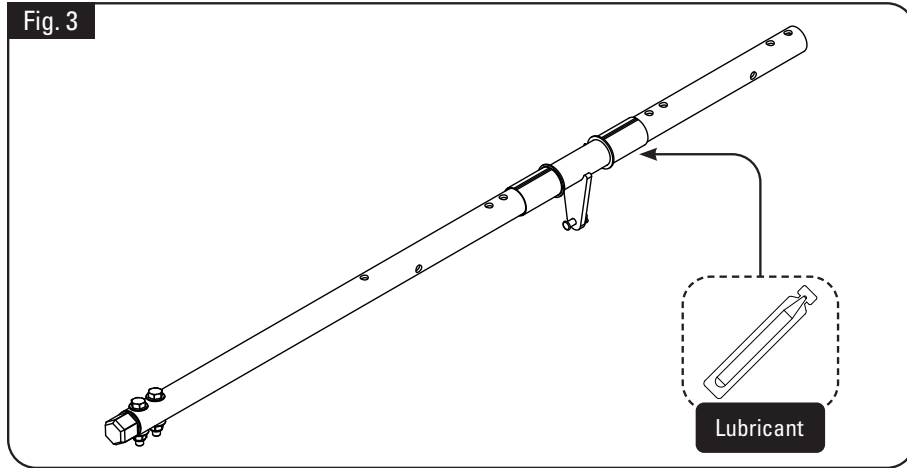


Pickup: Shorter rear (Fig. 2B).

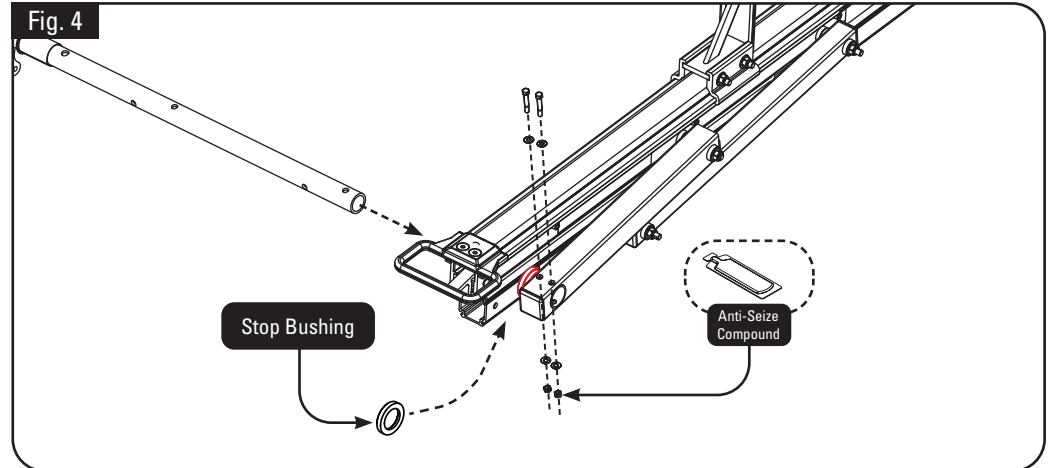


INSTALLATION INSTRUCTIONS

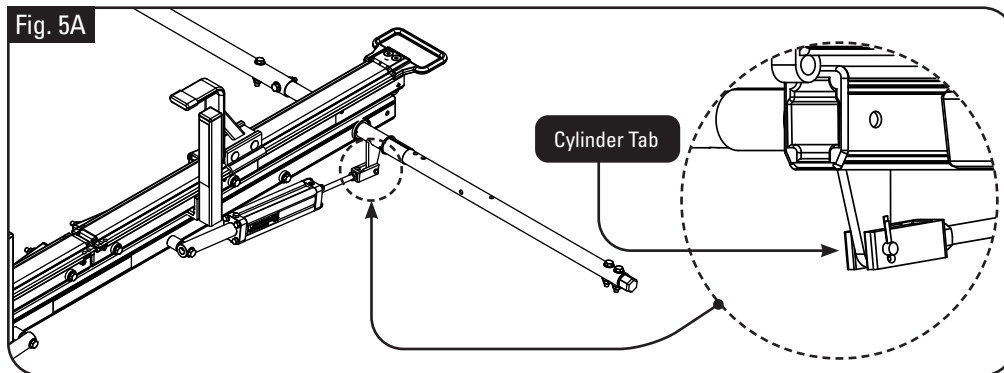
Rear Drive Shaft (Two Vehicle-Based Positions) - Continued



Step 3: Apply clear lubricant liberally to bushing (front only) as shown (Fig 3).

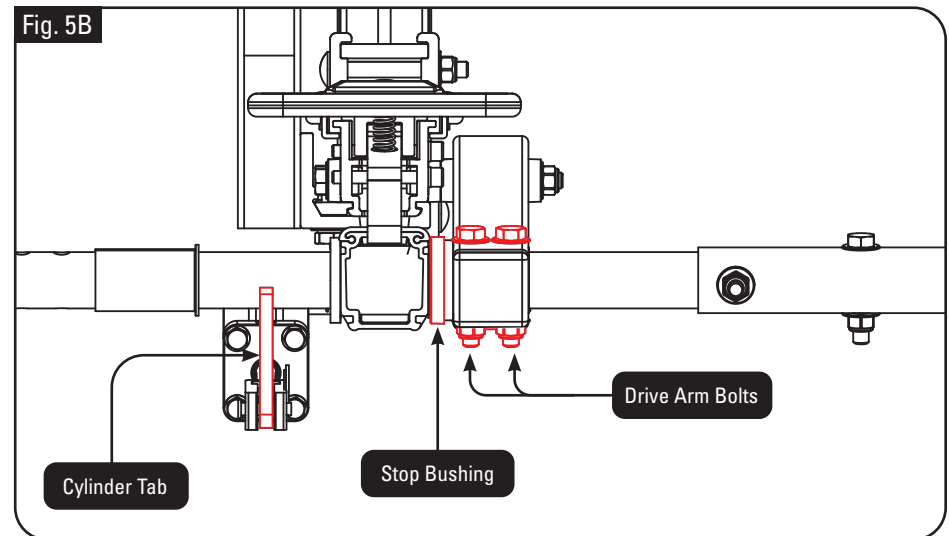


Step 4: Insert rear driveshaft into crossbar, stop bushing, and through drive arm (Fig. 4).
Note: Please use the Stop Bushing from FEA-0024/HKT-8423 Rotation Hardware Kit.



Step 5: Ensure cylinder tab on driveshaft points down and drive arm holes align with holes in driveshaft (Fig. 5A & B).

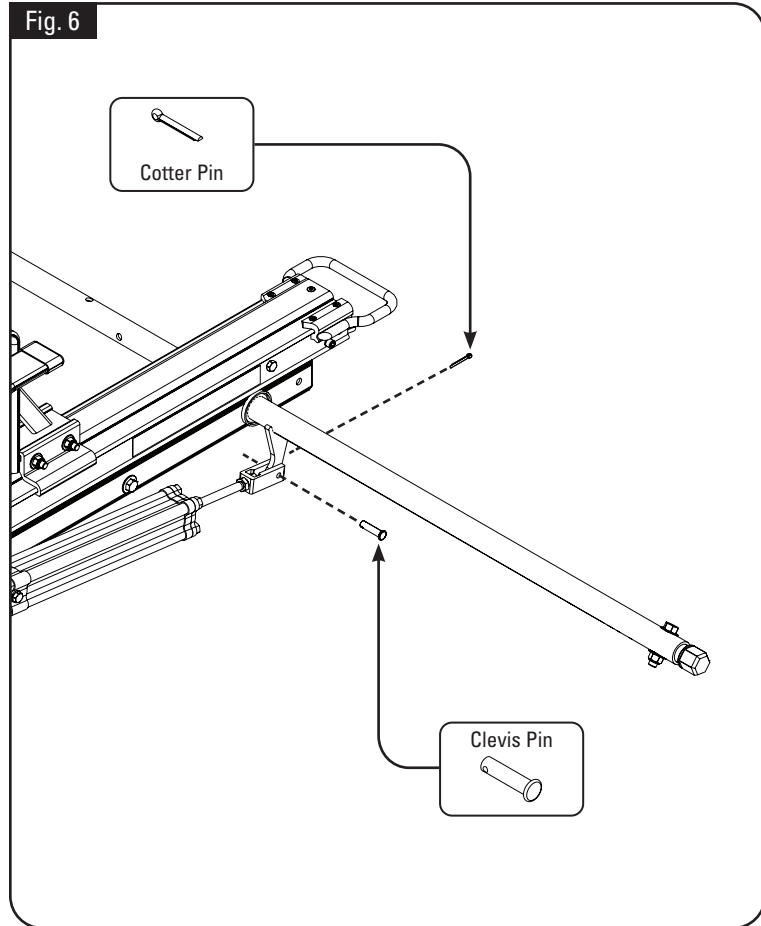
Apply anti-seize to (2) M8 X 55 MM hex head bolts and install with hardware as shown. Torque all bolts to 90 in-lbs.





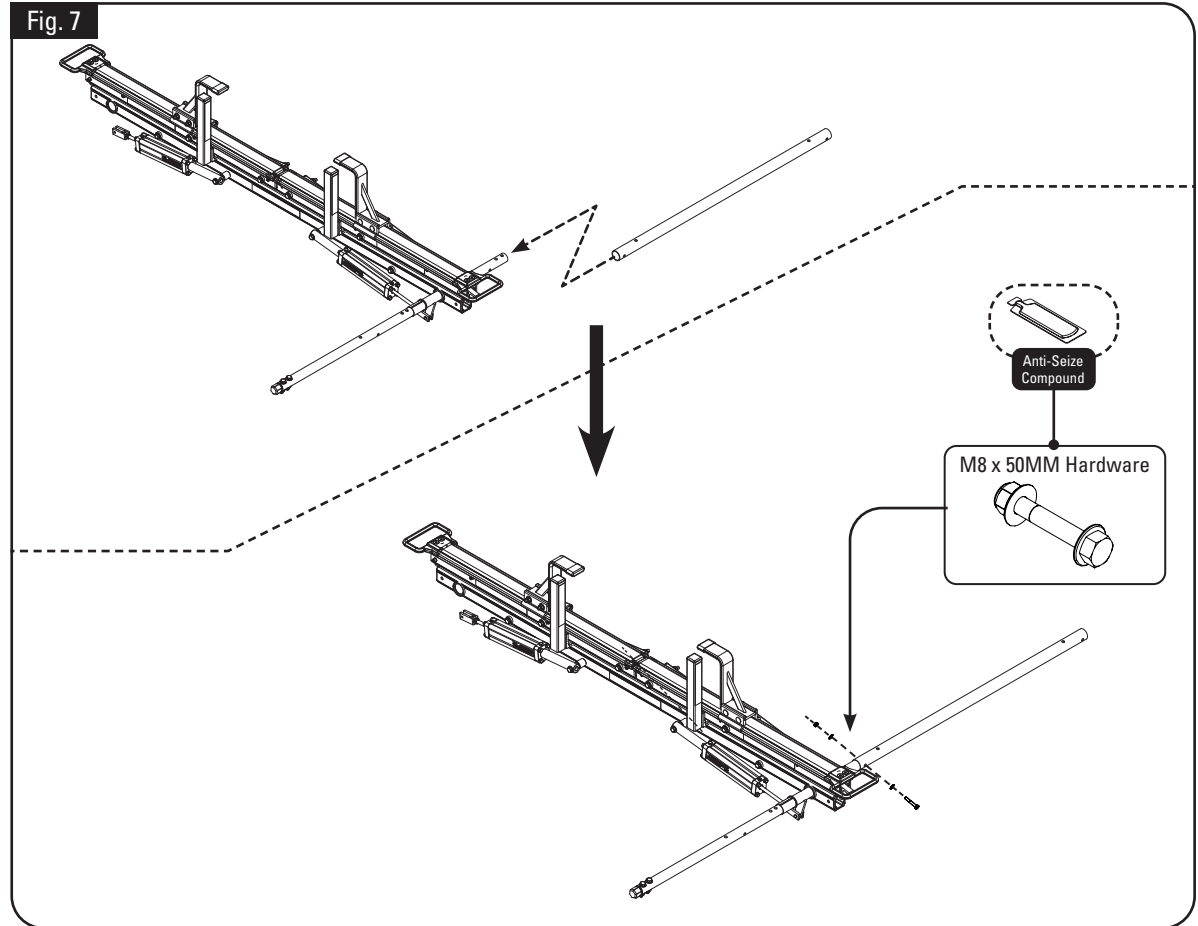
INSTALLATION INSTRUCTIONS

Cylinder Hardware & Connecting Bar



Step 6: Align cylinder clevis and driveshaft tab holes and insert clevis pin as shown.

Insert cotton pin into clevis pin and bend the end to keep clevis held in place (Fig. 6).



Step 7: Insert connecting bar onto rear driveshaft (Fig. 7).

Apply anti-seize to (2) M8 X 50MM hex head bolts and install with hardware as shown

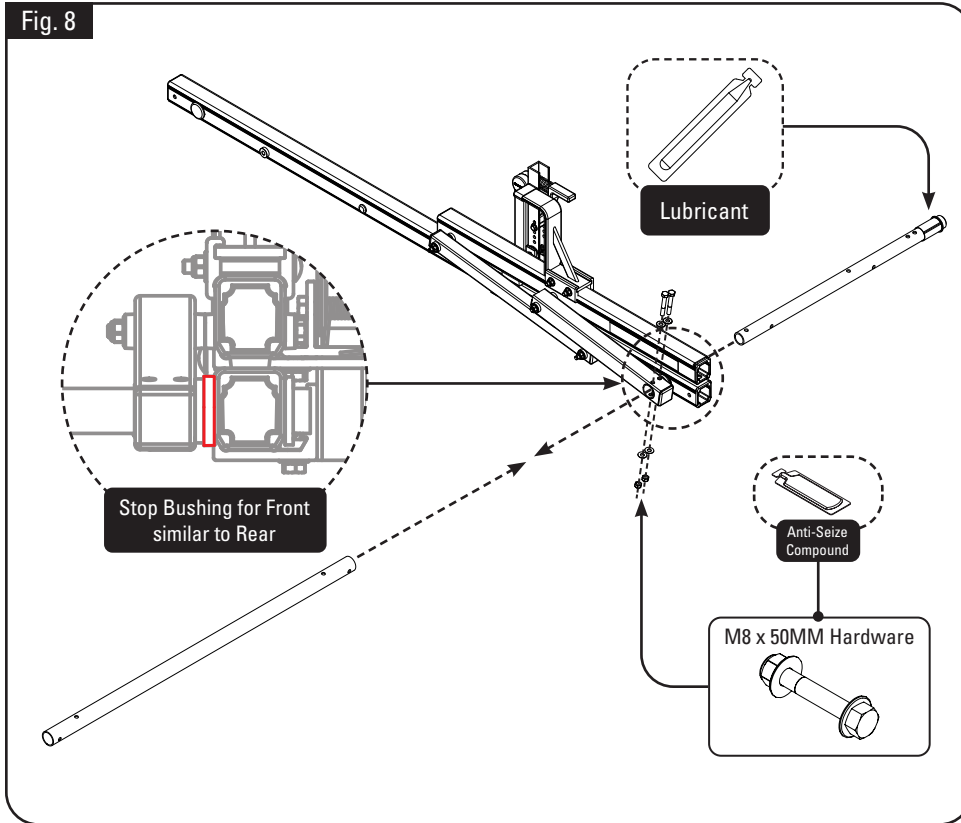
3.3 Torque bolts to 90 in-lbs.



INSTALLATION INSTRUCTIONS

Front Drive Shaft

Fig. 8

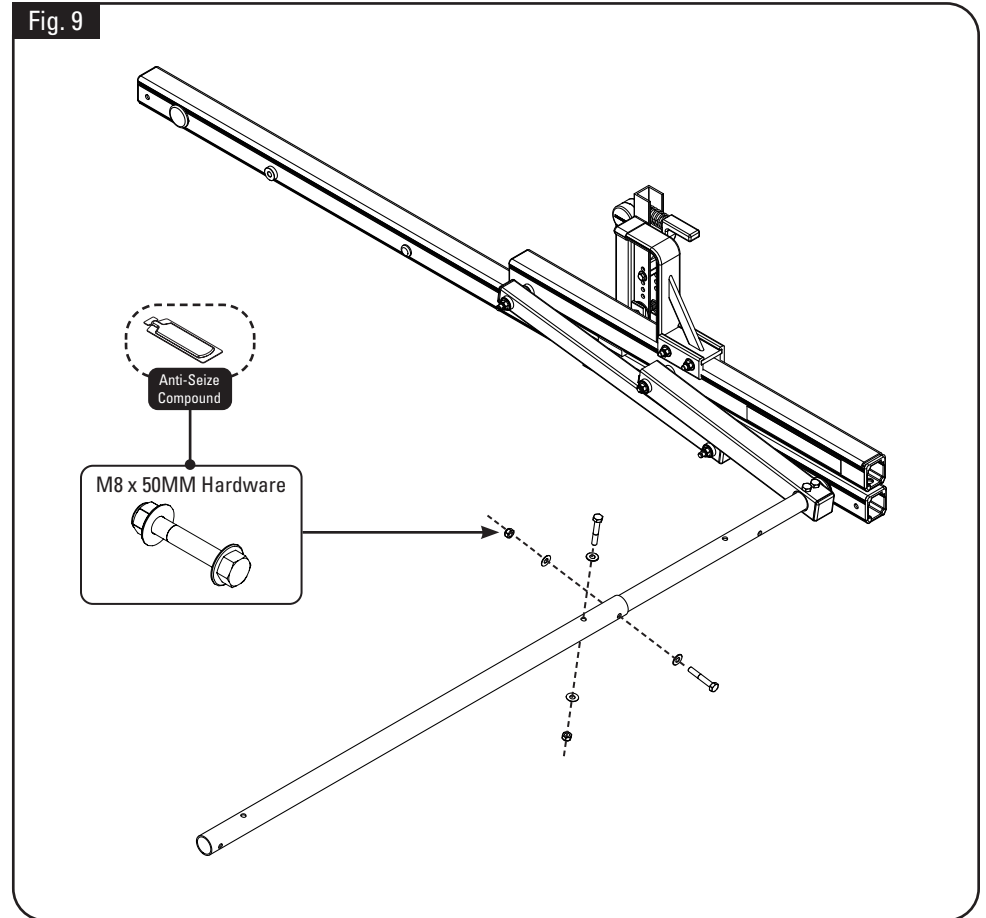


Step 8: Insert front driveshaft through front crossbar and rotation drive arm aligning two holes with bushing and middle connecting bar (Fig. 8).

Apply anti-seize to (2) M8 X 50MM hex head bolts and install with hardware as shown.

Torque all bolts to 90 in-lbs.

Fig. 9



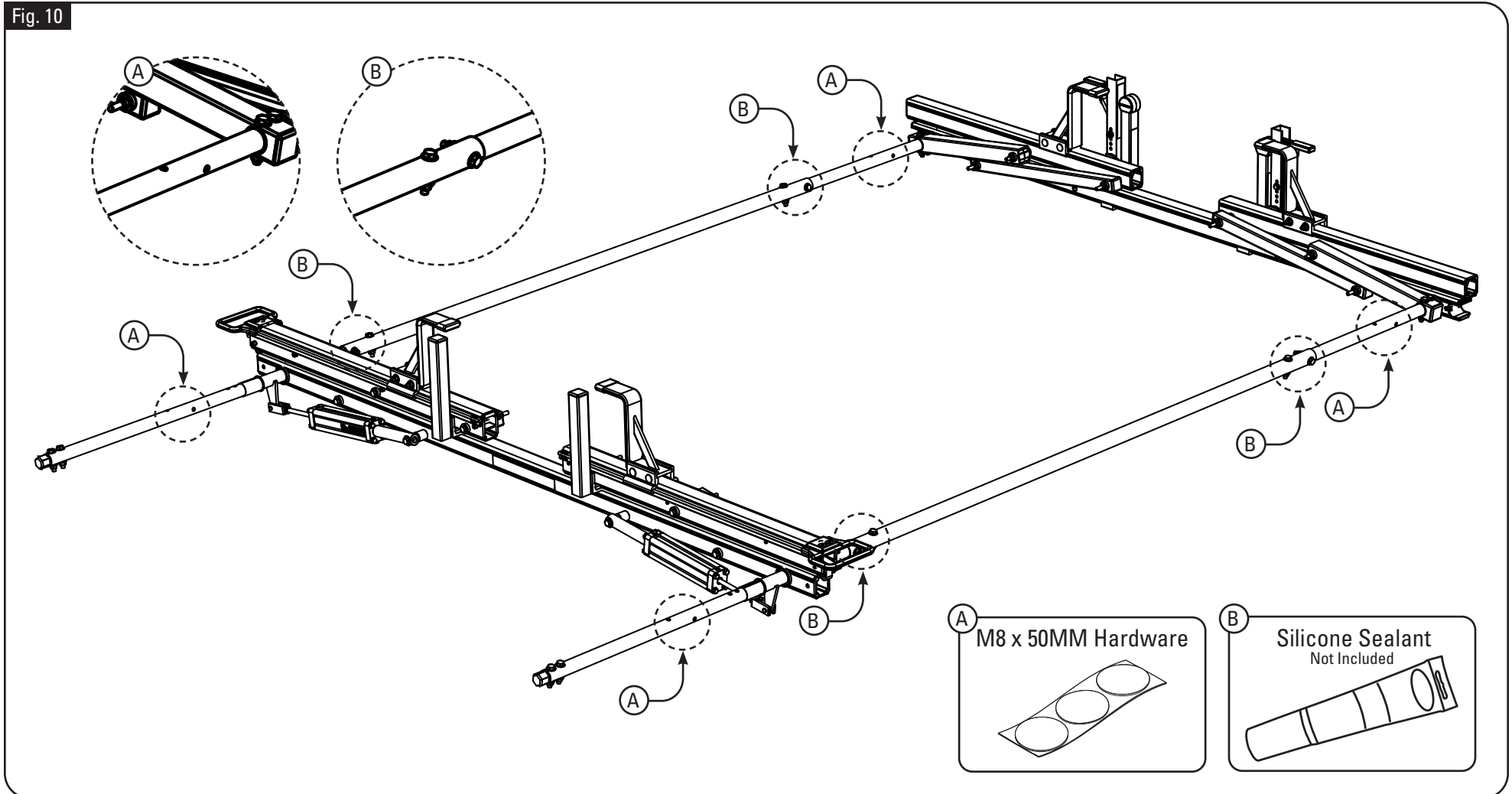
Step 9: Apply anti-seize to (2) M8 X 50MM hex head bolts and install with hardware (Fig. 9).

Torque all bolts to 90 in-lbs.



Drive Shaft Sealing

Fig. 10



Step 10: Apply silicone sealant (not provided) to connecting bar ends. Using provided sealing stickers, apply to any remaining holes on driveshaft (Fig. 10).