

## MSP-A125 MSP-S16

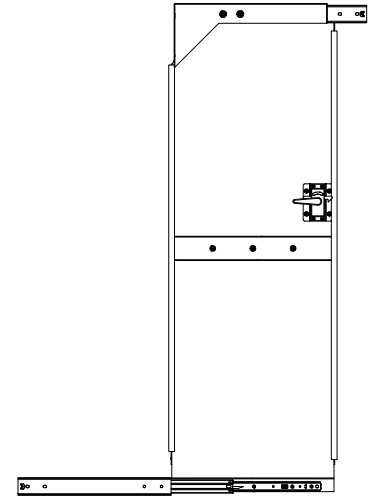
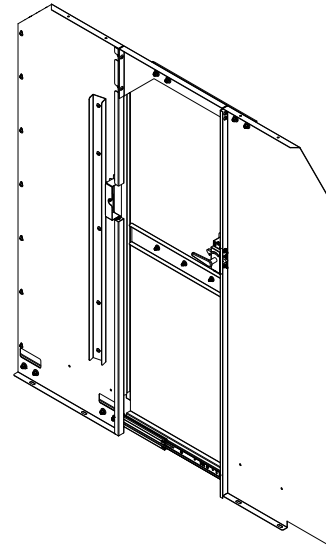
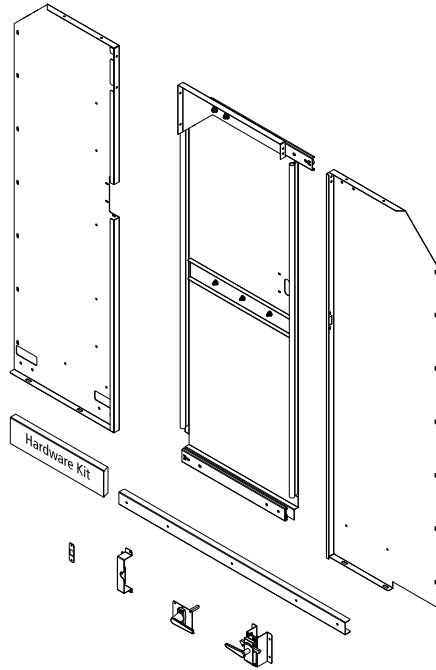
### Universal Work Van Modular Sliding Door Partition Sliding Door Kit

Aluminum Kit Weight: XX lbs

Steel Kit Weight: XX lbs

*Approximate dimensions as shown:*

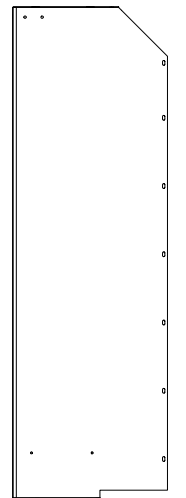
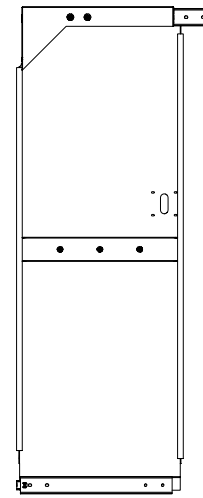
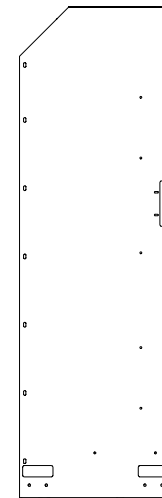
- A: \_\_\_\_\_ XX"
- B: \_\_\_\_\_ XX"
- C: \_\_\_\_\_ XX"
- D: \_\_\_\_\_ XX"
- E: \_\_\_\_\_ XX"



#### SLIDING DOOR MODELS AVAILABLE:

[MSP-A125 \(ALUMINUM\)](#)

[MSP-S16 \(STEEL\)](#)



*\*Note: This Overview contains information covering a full assembly utilizing a Ford Transit High Roof Header and Side Wing Assembly (AWK-FT-HR/SWK-FT-HR) for illustrative purposes. This Assembly is sold separately. For more information, please contact Sales & Support.*

## MSP-A125

## MSP-S16

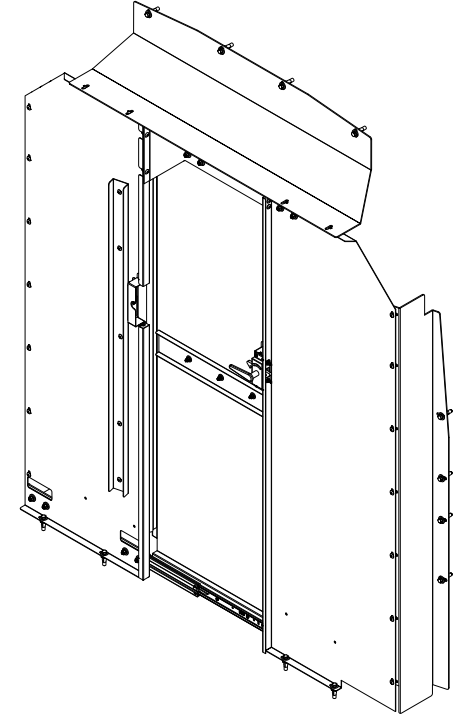
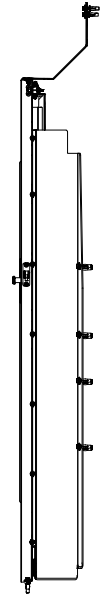
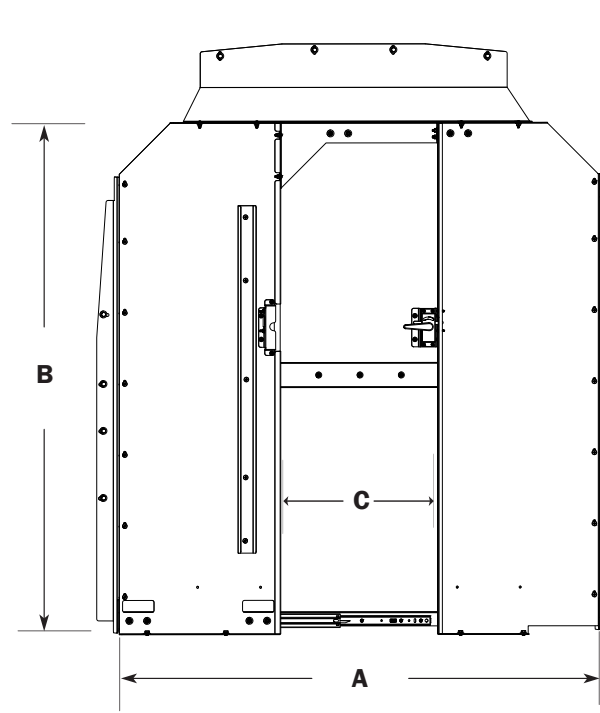
### Universal Work Van Modular Sliding Door Partition Sliding Door Kit

*\*Product shown fully assembled  
with a Header & Side Wing Kit  
(Sold Separately)*

*Approximate dimensions as shown:*

- A: Main Door Assembly Width.....61"
- B: Main Door Assembly Height.....65"
- C: Door Opening Width.....20"

*\*Note: This Overview contains information covering a full assembly utilizing a Ford Transit High Roof Header and Side Wing Assembly (AWK-FT-HR/SWK-FT-HR) for illustrative purposes. This Assembly is sold separately. For more information, please contact Sales & Support.*



#### HEADER & SIDE WING KITS AVAILABLE:

[AWK-FT-HR \(ALUMINUM\)](#)

[SWK-FT-HR \(STEEL\)](#)

