



LED-350

WorkPro Ultra-Bright LED Work Area Lighting

Dimensional Specifications on Page 2

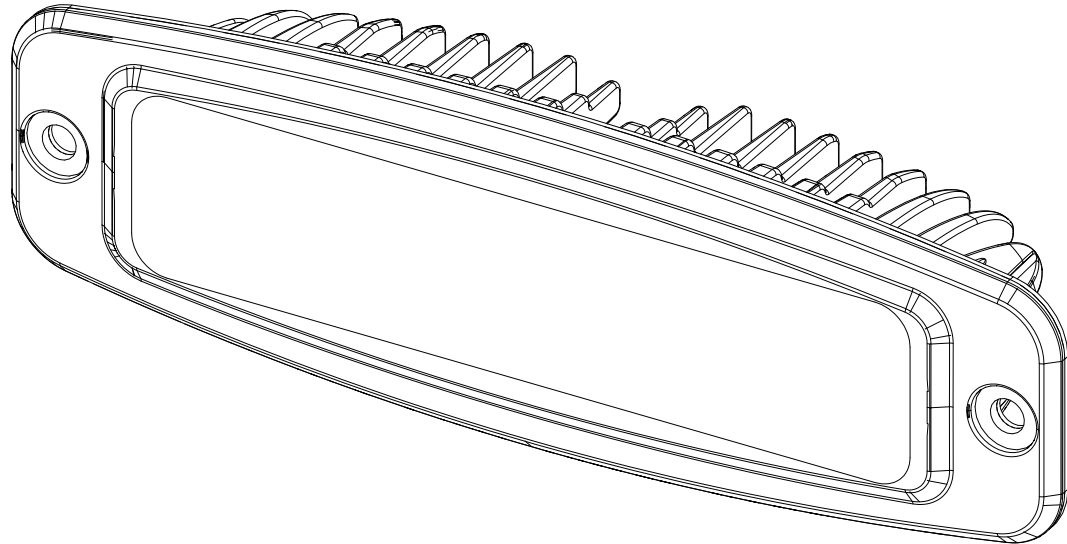
Configuration as shown:

- 1600 Lumens
- IP67 Rating
- 10-30 DC Input
- 50,000+ Operating Hours
- Instant On/Off

Variations Available:
LED-350-B01 Flood Beam
Finish: White or Black

**Note: When ordering, specify "B" for black
and "W" for white after model number.*

**REFER TO TABLE BELOW FOR POWER REQUIREMENTS*



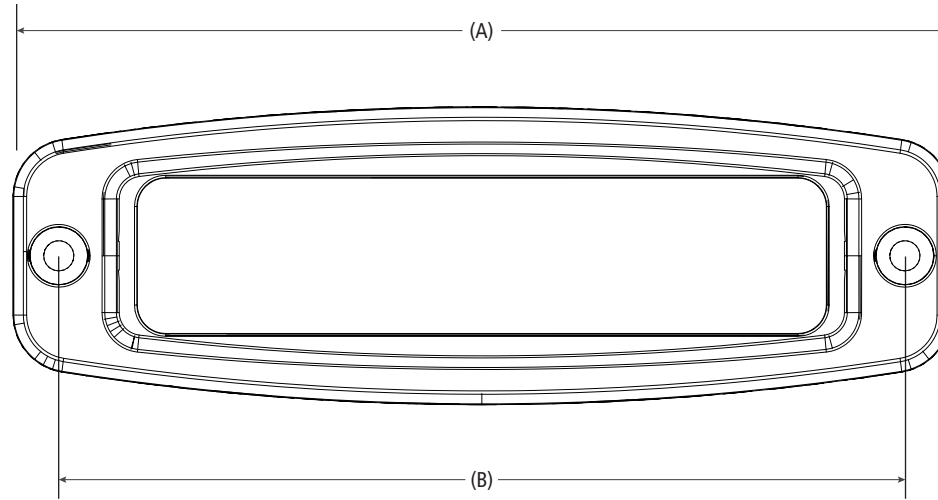
Power Requirements			
MODEL	Operating Voltage (12V/24V)	POWER (WATTS)	AMP DRAW (12V/24V)
LED-350	10-30	18	1.4/0.7

LED-350

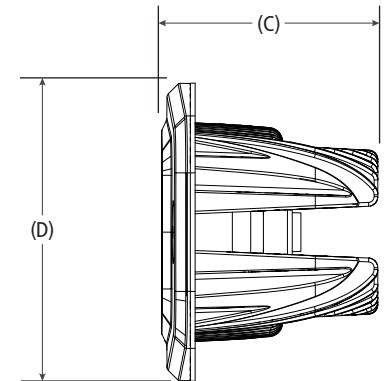
WorkPro Ultra-Bright LED Work Area Lighting

Approximate dimensions as shown:

- A: Width7.6875"
- B: Mounting Hole Width6.9375"
- C: Length1.75"
- D: Height2.4375"



Power Requirements			
MODEL	Operating Voltage (12V/24V)	POWER (WATTS)	AMP DRAW (12V/24V)
LED-350	10-30	18	1.4/0.7



*Note: When ordering, specify "B" for black and "W" for white after model number.