

## CON-8004

### Conduit Carrier – 8'

Dimensional Specifications on Pages 2-4

#### Configuration as shown:

US Gen1, US Gen4, AluRack

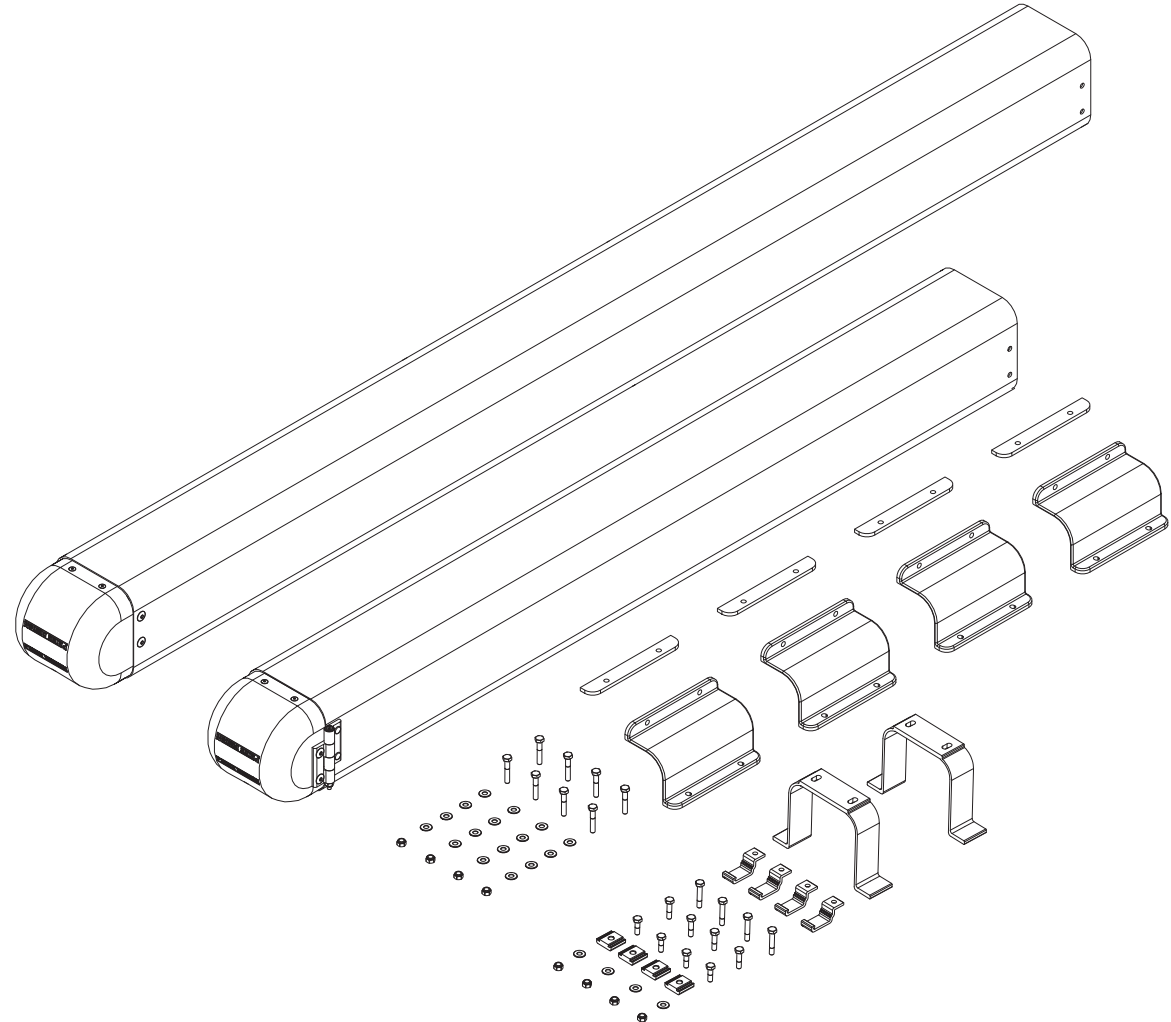
Finish: White Powder Coat

Consolidated Hardware Kit: CON-8505

Conduit Splice Assembly: ACC-8103

Accessory Weight (empty): 37 lbs

\*CONSOLIDATED MOUNTING BRACKET KIT INCLUDED



*Note: Includes Consolidated Mounting Bracket Kit to install onto Ergorack, AluRack, and Low Profile models*

## CON-8004

### Conduit Carrier – 8'

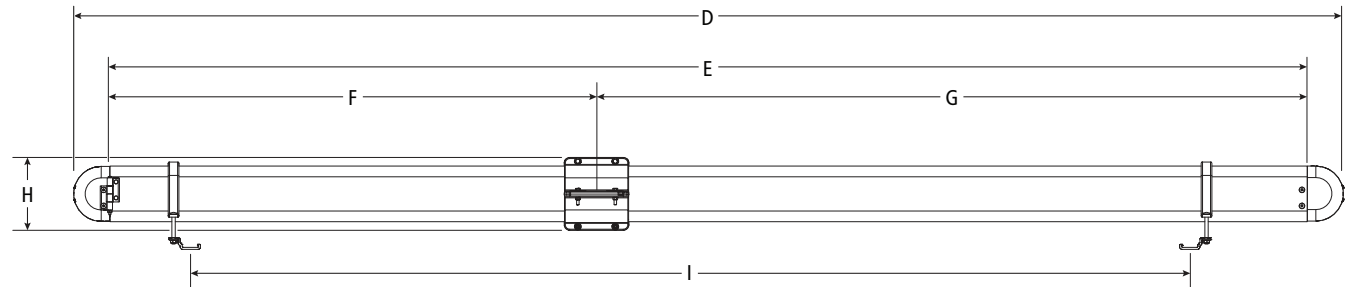
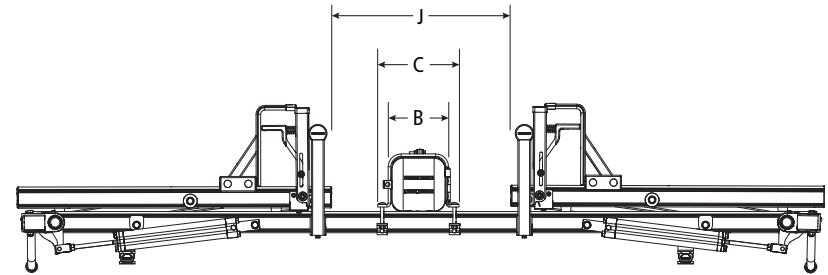
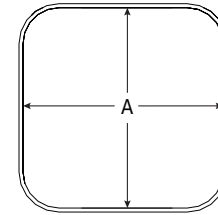
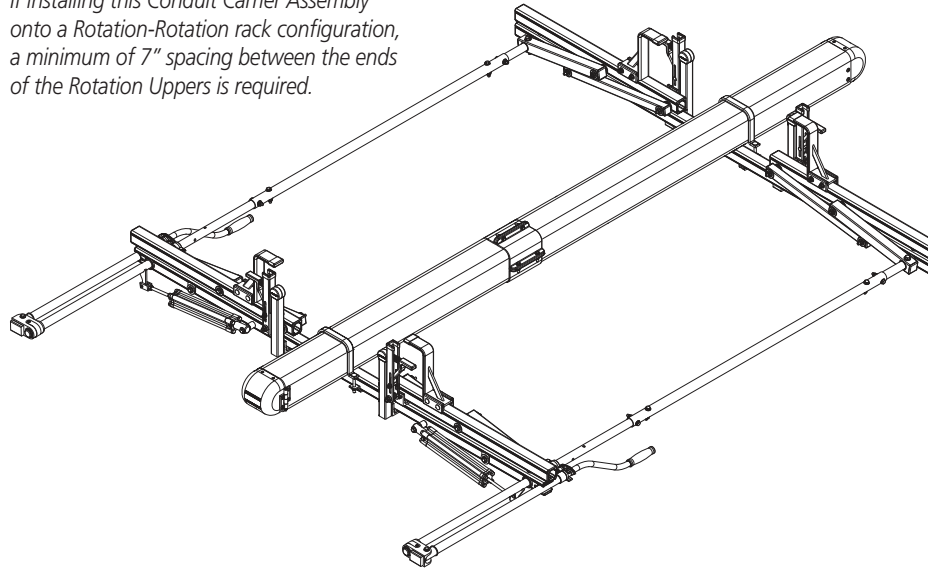
Shown mounted onto Gen 4 (Ford Transit Van) Rack for illustrative purposes only

Approximate dimensions as shown:

- A: Conduit Carrier Inside Width/Height ..... 5"
- B: Conduit Carrier Outside Width ..... 5.25"
- C: Conduit Carrier Total Width ..... 8"
- D: Conduit Carrier Total Length ..... 110.75"
- E: Conduit Carrier Usable Length ..... 104"
- F: Front Conduit Splice Usable Length ..... 40"
- G: Rear Conduit Splice Usable Length ..... 64"
- H: Conduit Carrier Height ..... 6.75"
- I: Mounting Bracket Maximum Width ..... 8'
- J: Minimum Required Space ..... 9"



If installing this Conduit Carrier Assembly onto a Rotation-Rotation rack configuration, a minimum of 7" spacing between the ends of the Rotation Uppers is required.



Note: Includes Consolidated Mounting Bracket Kit to install onto Ergorack, AluRack, and Low Profile models

## CON-8004

### Conduit Carrier-8'

Shown mounted onto Gen1 (GM Van) Rack for illustrative purposes only

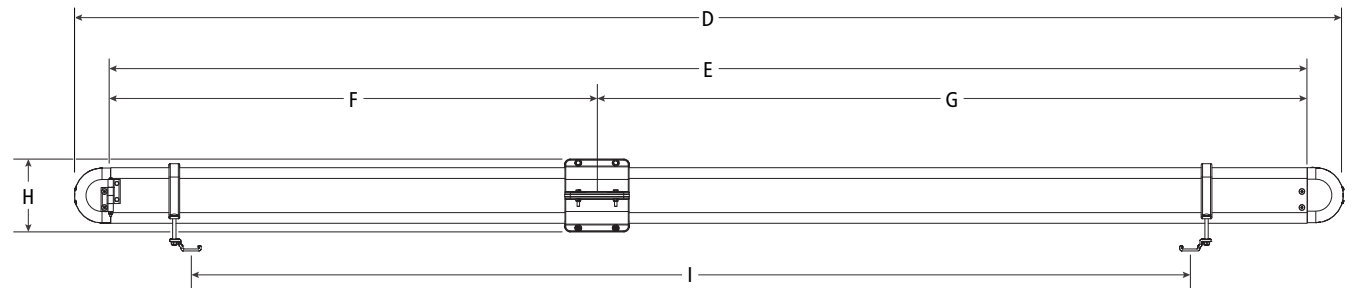
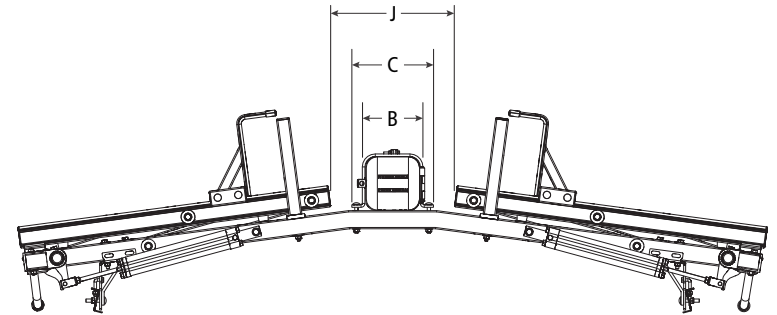
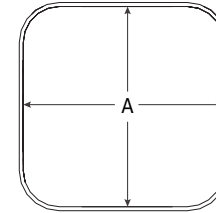
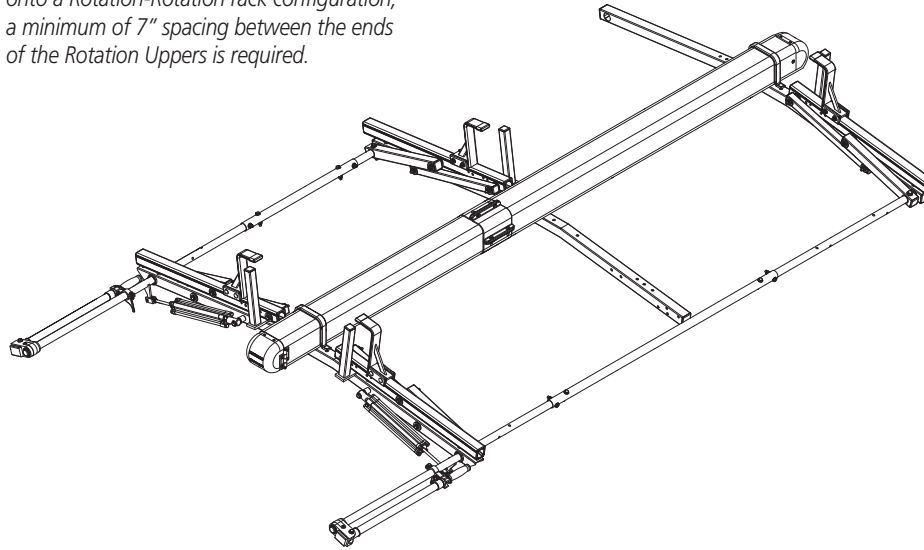
Approximate dimensions as shown:

- A: Conduit Carrier Inside Width/Height ..... 5"
- B: Conduit Carrier Outside Width ..... 5.25"
- C: Conduit Carrier Total Width ..... 8"
- D: Conduit Carrier Total Length ..... 110.75"
- E: Conduit Carrier Usable Length ..... 104"
- F: Front Conduit Splice Usable Length ..... 40"
- G: Rear Conduit Splice Usable Length ..... 64"
- H: Conduit Carrier Height ..... 6.75"
- I: Mounting Bracket Maximum Width ..... 8'
- J: Minimum Required Space ..... 9"

Note: Includes Consolidated Mounting Bracket Kit to install onto Ergorack, AluRack, and Low Profile models



If installing this Conduit Carrier Assembly onto a Rotation-Rotation rack configuration, a minimum of 7" spacing between the ends of the Rotation Uppers is required.



\*CONSOLIDATED MOUNTING BRACKET KIT INCLUDED

## CON-8004

### Conduit Carrier – 8'

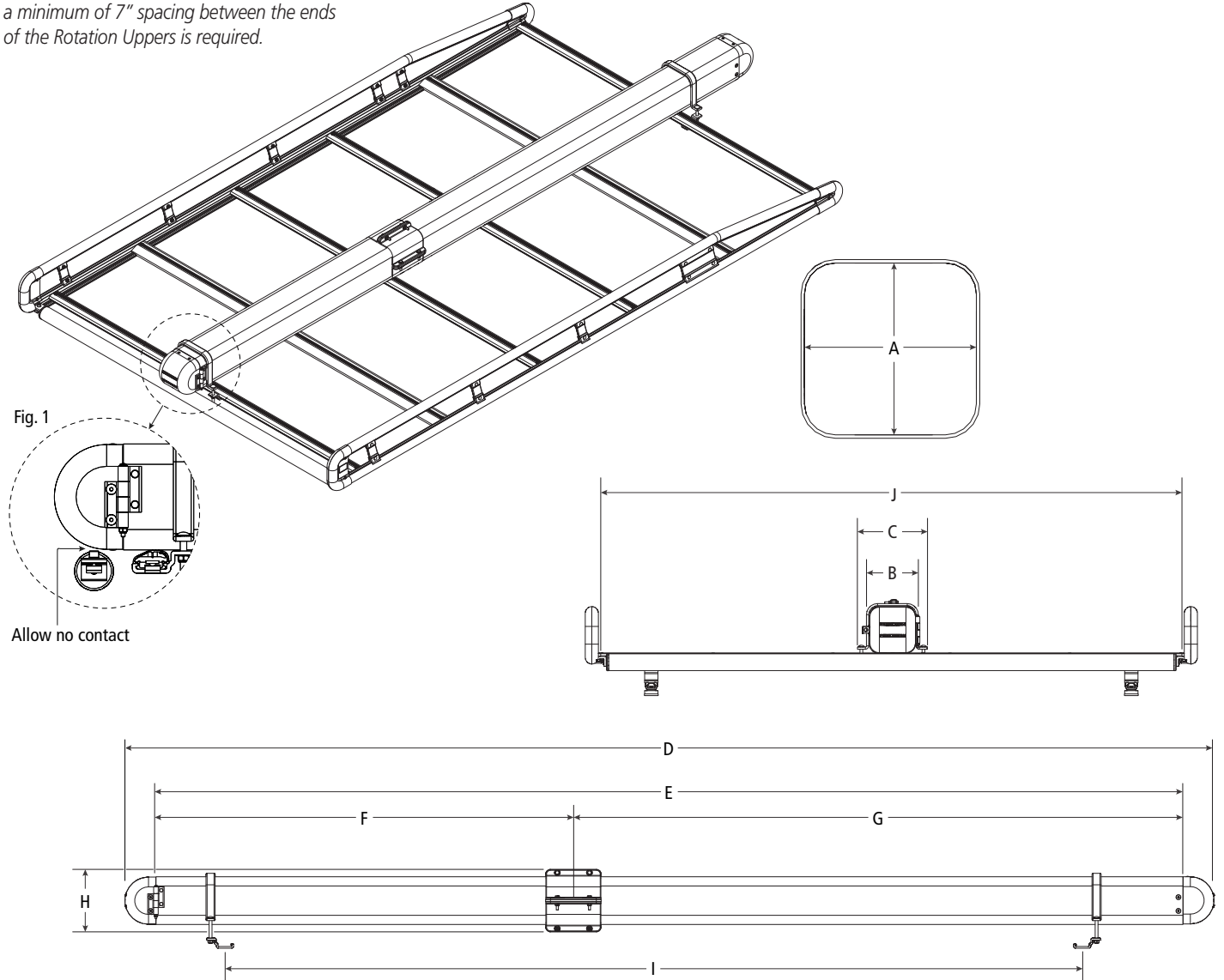
Shown mounted onto AluRack for illustrative purposes only

Approximate dimensions as shown:

- A: Conduit Carrier Inside Width/Height ..... 5"
- B: Conduit Carrier Outside Width ..... 5.25"
- C: Conduit Carrier Total Width ..... 8"
- D: Conduit Carrier Total Length ..... 110.75"
- E: Conduit Carrier Usable Length ..... 104"
- F: Front Conduit Splice Usable Length ..... 40"
- G: Rear Conduit Splice Usable Length ..... 64"
- H: Conduit Carrier Height ..... 6.75"
- I: Mounting Bracket Maximum Width ..... 8'
- J: Minimum Required Space ..... N/A



If installing this Conduit Carrier Assembly onto a Rotation-Rotation rack configuration, a minimum of 7" spacing between the ends of the Rotation Uppers is required.



Note: Includes Consolidated Mounting Bracket Kit to install onto Ergorack, AluRack, and Low Profile models

Assembly Manual also available:

## CON-8004

USOV-CON8004-US01 Rev-B 0119

\*CONSOLIDATED MOUNTING BRACKET KIT INCLUDED

## CON-8004

### Conduit Carrier-8'

Shown mounted onto Low Profile Rack for illustrative purposes only

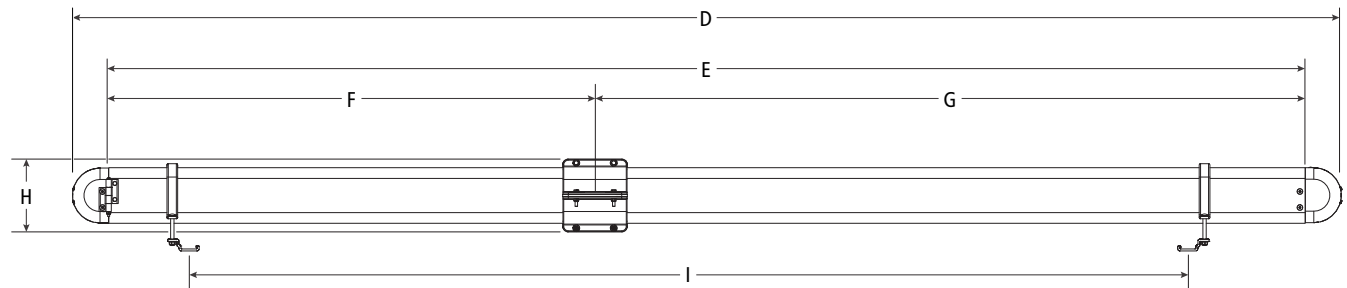
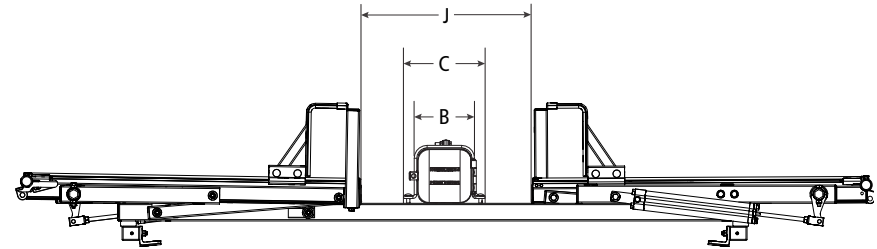
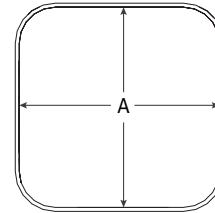
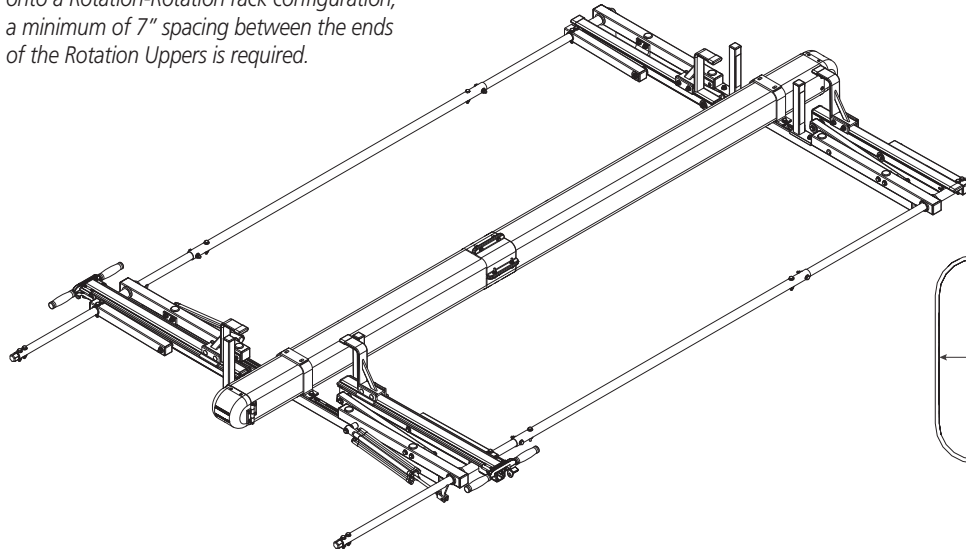
Approximate dimensions as shown:

- A: Conduit Carrier Inside Width/Height ..... 5"
- B: Conduit Carrier Outside Width ..... 5.25"
- C: Conduit Carrier Total Width ..... 8"
- D: Conduit Carrier Total Length ..... 110.75"
- E: Conduit Carrier Usable Length ..... 104"
- F: Front Conduit Splice Usable Length ..... 40"
- G: Rear Conduit Splice Usable Length ..... 64"
- H: Conduit Carrier Height ..... 6.75"
- I: Mounting Bracket Maximum Width ..... 8'
- J: Minimum Required Space ..... 9"

Note: Includes Consolidated Mounting Bracket Kit to install onto Ergorack, AluRack, and Low Profile models



If installing this Conduit Carrier Assembly onto a Rotation-Rotation rack configuration, a minimum of 7" spacing between the ends of the Rotation Uppers is required.



\*CONSOLIDATED MOUNTING BRACKET KIT INCLUDED