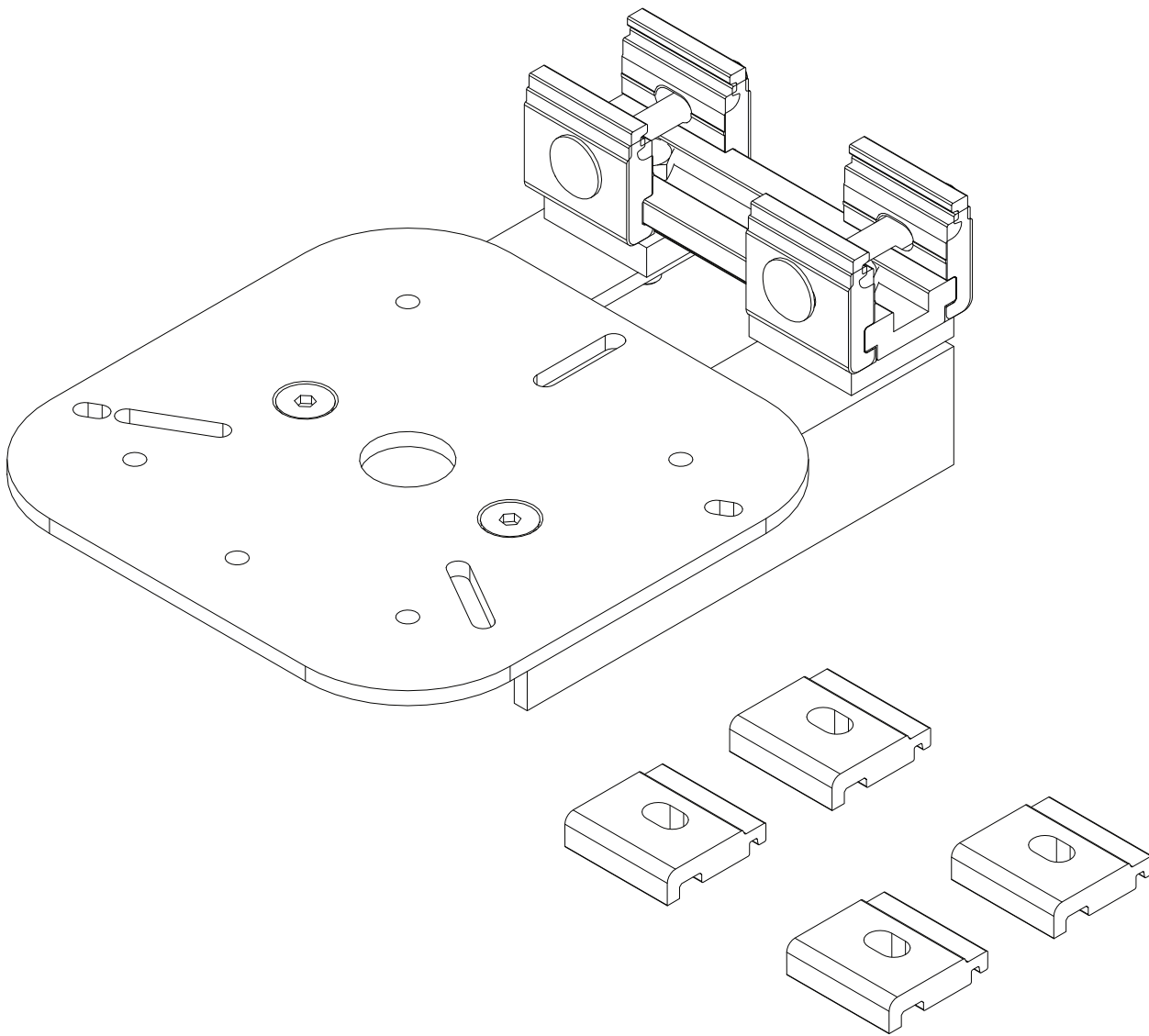


# PRIME DESIGN™

A Safe Fleet Brand



## *STROBE/GO-LIGHT HOLDER OVER THE CAB TRUCK RACK*

PRIME DESIGN, A SAFE FLEET BRAND

Address: 580 Opperman Drive, Eagan, MN 55123 • Toll Free: 1.8.PRIME.RACK

Fax: 651-552-1799 • Email: [info@primedesign.net](mailto:info@primedesign.net) • Website: [www.primedesign.net](http://www.primedesign.net)

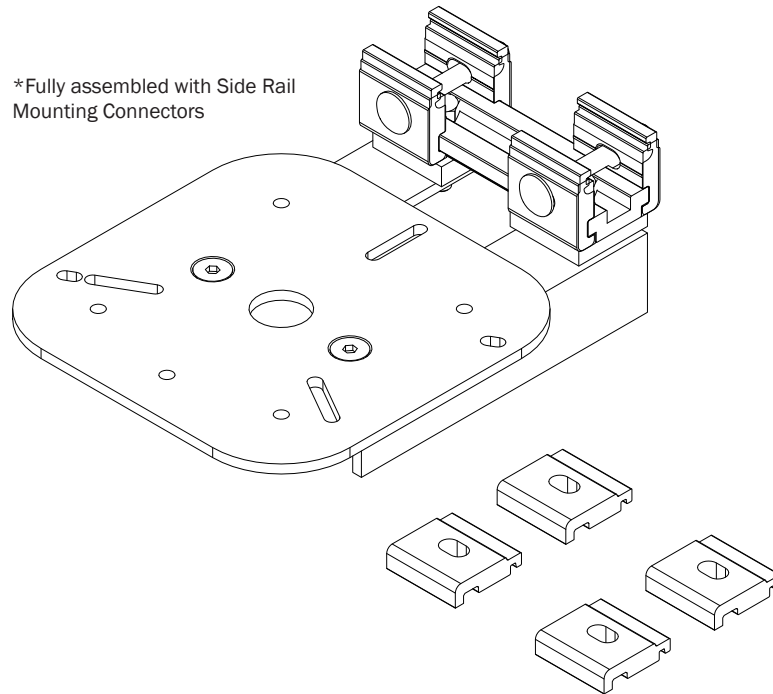
# ASH

## CONTENTS OVERVIEW

ASH-8127 Strobe/Go-Light Holder



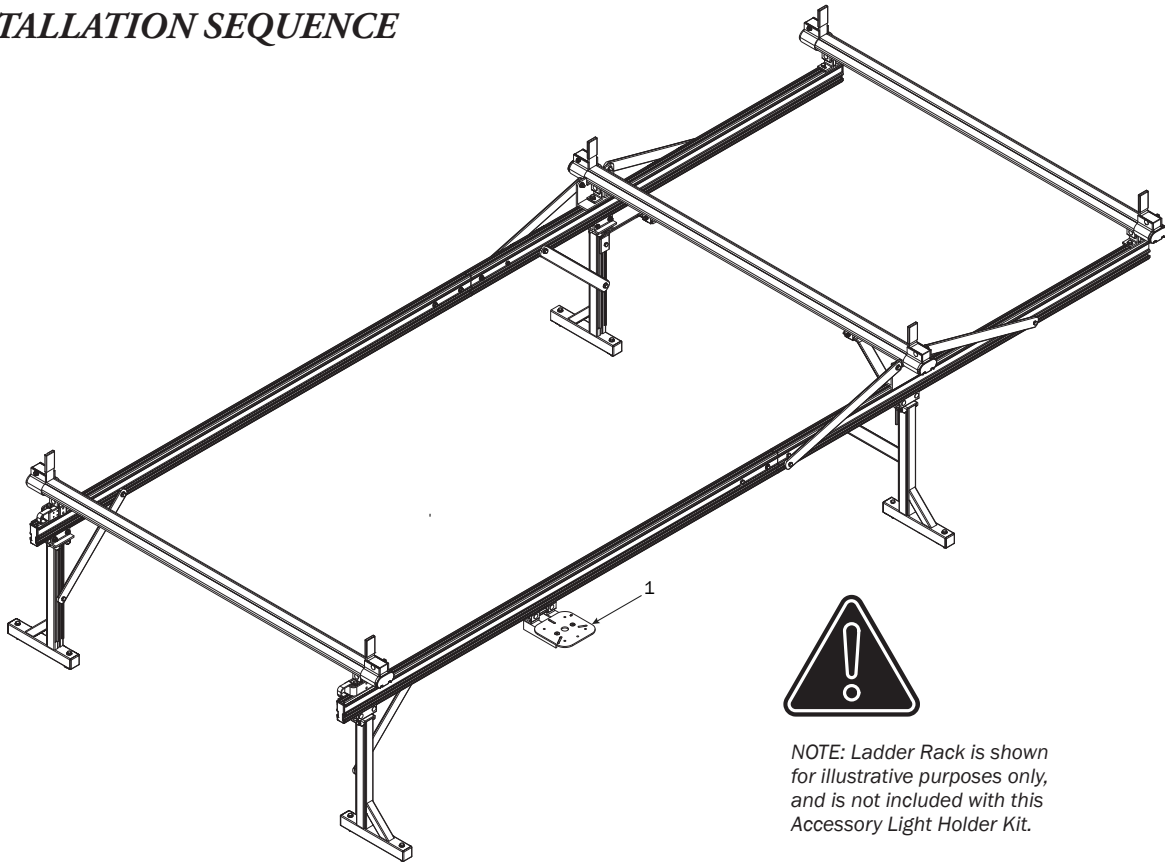
*Note: Rack model is shown in this Manual for illustrative purposes only, and is not included with this Light Holder assembly.*



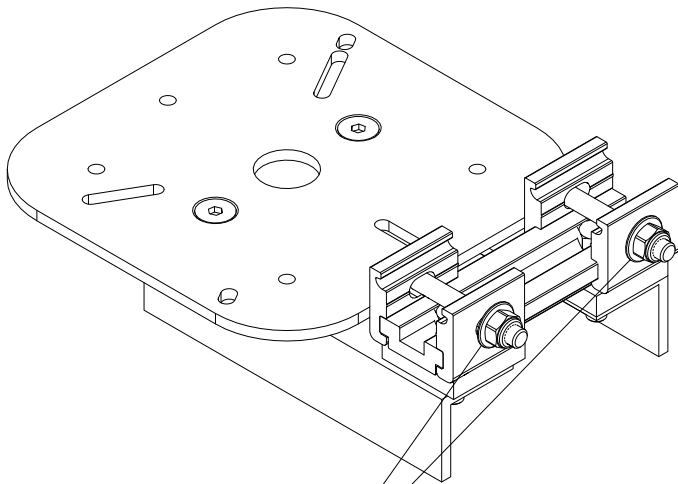
\*Fully assembled with Side Rail Mounting Connectors

\*Crossbar Mounting Connectors packaged separately

# SIDE RAIL MOUNT INSTALLATION SEQUENCE

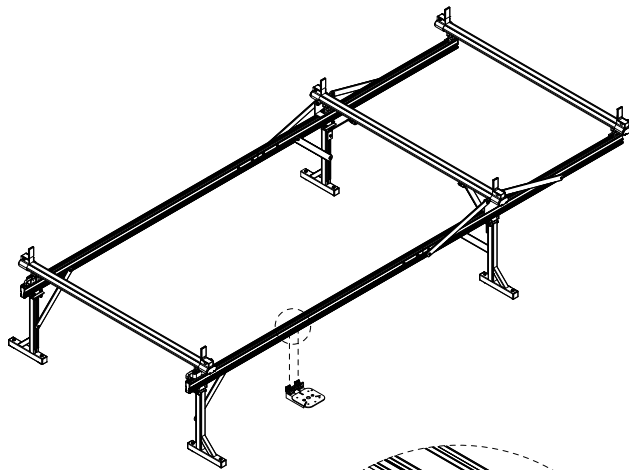


**NOTE:** Ladder Rack is shown for illustrative purposes only, and is not included with this Accessory Light Holder Kit.

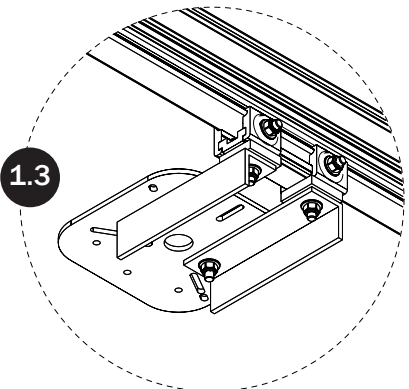


**1.1**  
Loosen Connector Hardware as needed.

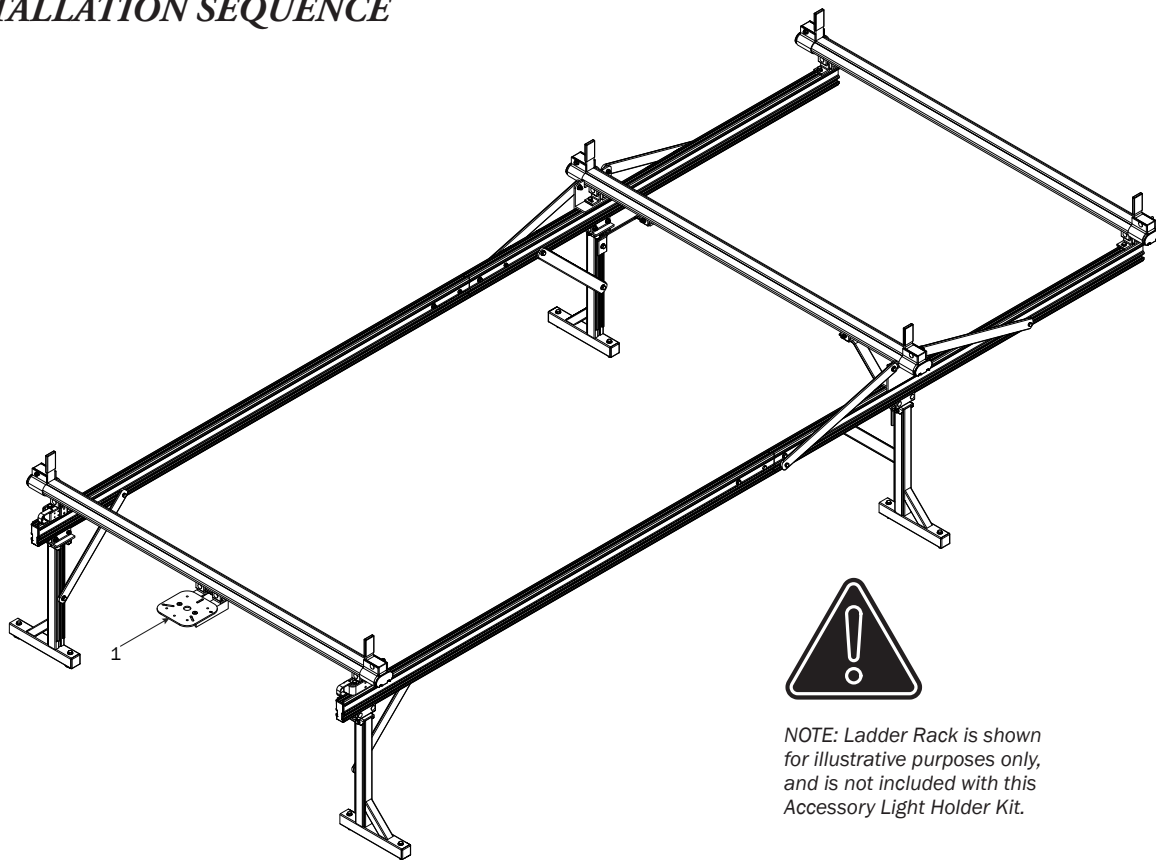
**1.2** Place the Light Holder as shown, and ensure the Holder fully engages the Side Rail's bottom groove.



Torque to 90 in-lbs **1.3**

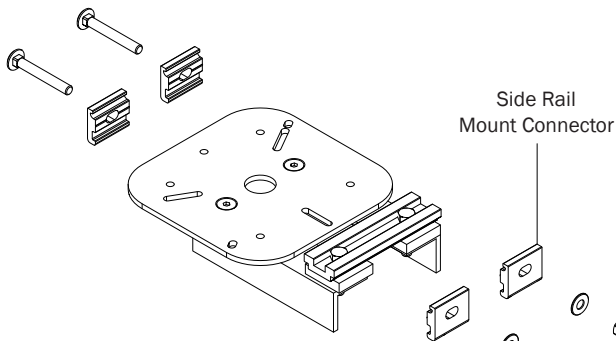


# CROSSBAR MOUNT INSTALLATION SEQUENCE

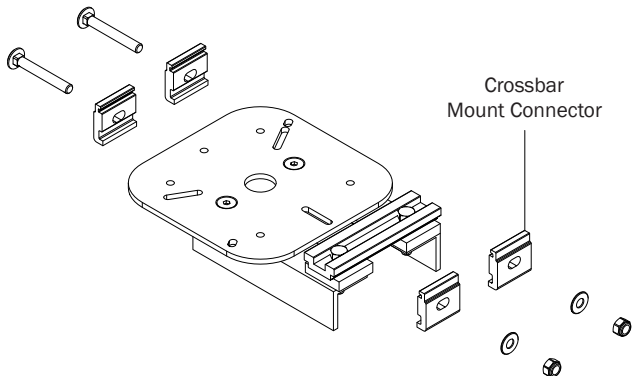


**NOTE:** Ladder Rack is shown for illustrative purposes only, and is not included with this Accessory Light Holder Kit.

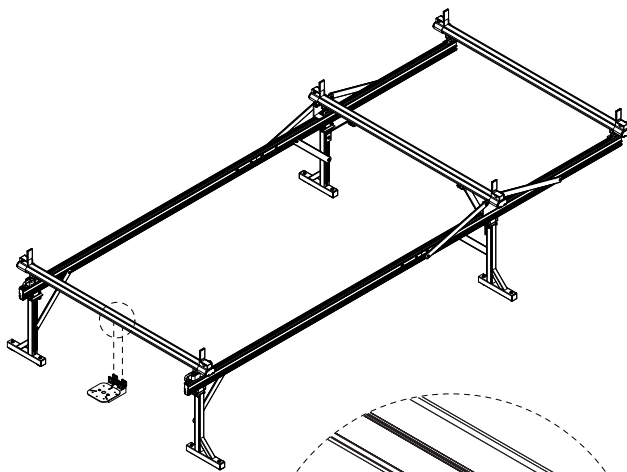
**1.1** Remove Side Rail Mounting Connectors and reserve Hardware.



**1.2** Install Crossbar Mounting Connectors Hardware. Finger-tighten only.



**1.3** Place the Light Holder as shown, and ensure the Holder fully engages the Crossbar's bottom groove.



Torque to **1.4** 90 in-lbs

