

ASH-8125

Strobe/Go-Light Holder

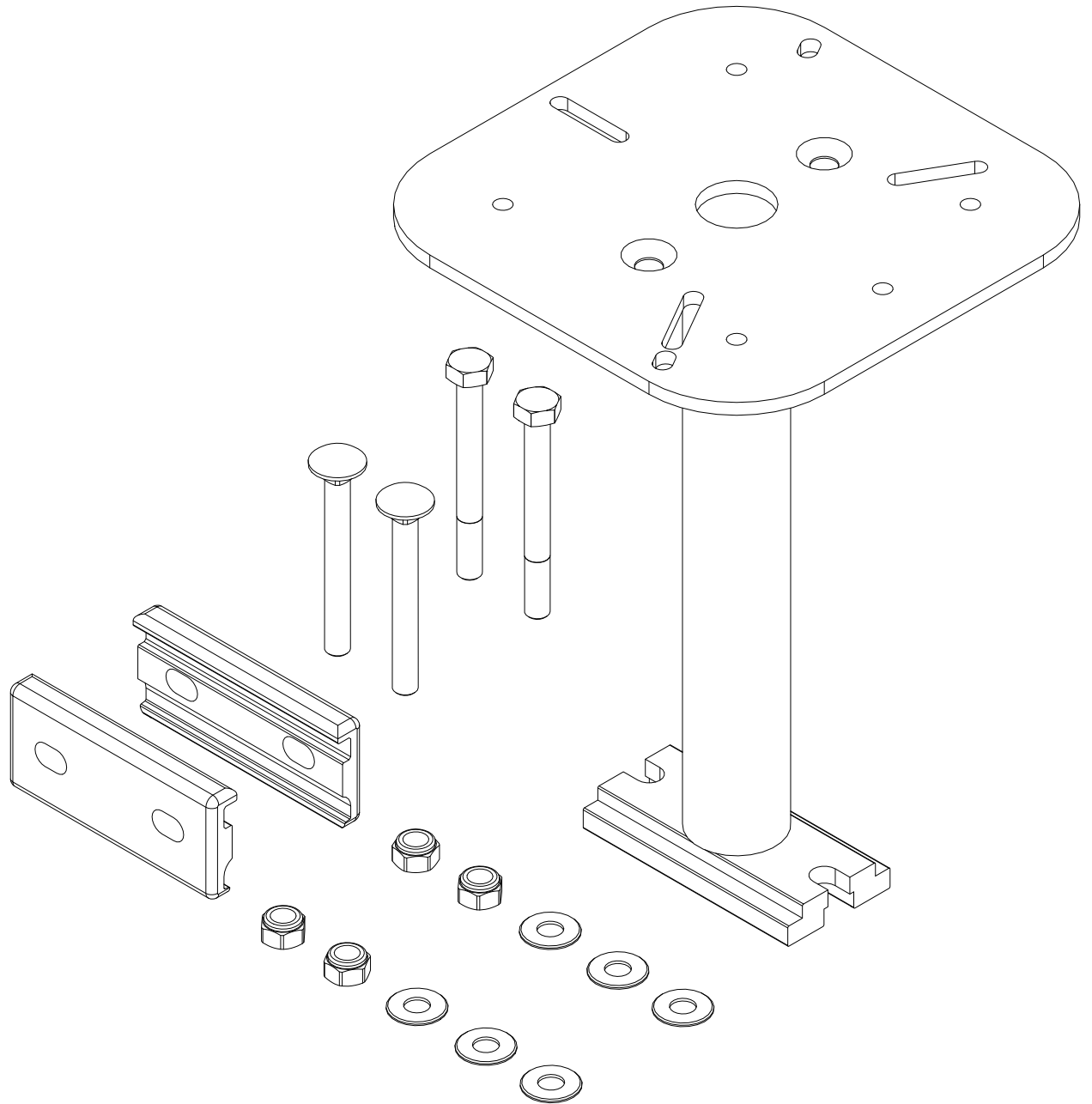
Dimensional Specifications on Page 2

Configuration as shown:

Crossbar Pedestal Light Holder, US Gen1-4

Finish: White Powder Coat

Rack Weight (empty): 2 lbs

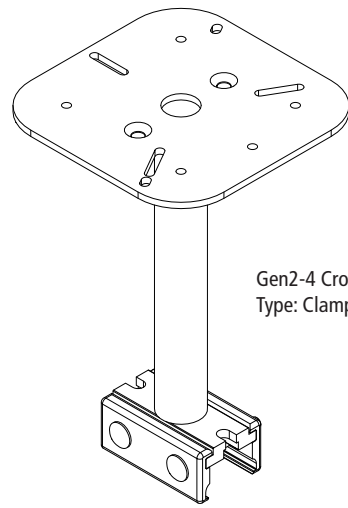


ASH-8125

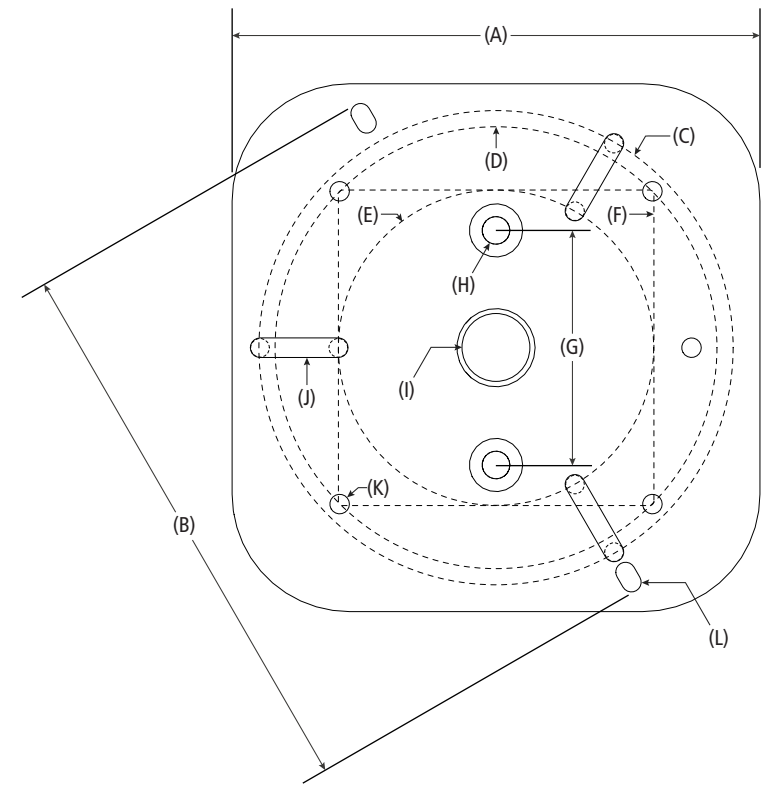
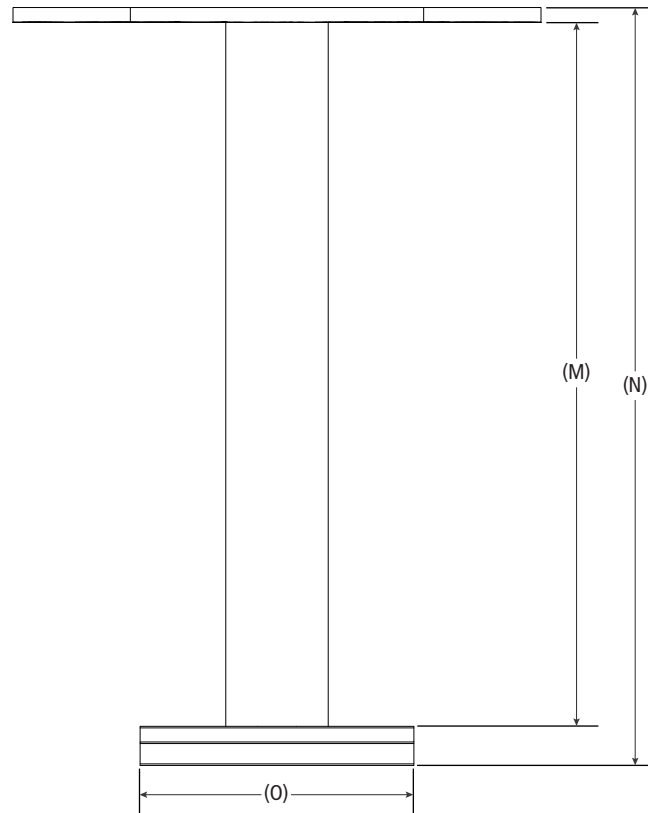
Strobe/Go-Light Holder

Approximate dimensions as shown:

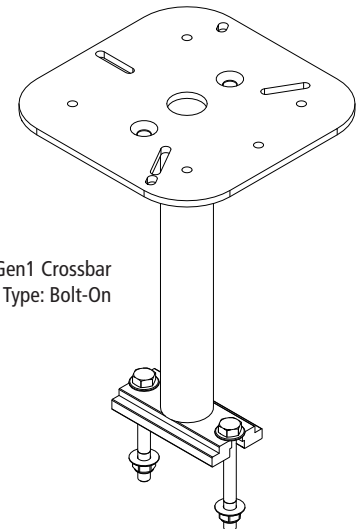
- A: Mounting Plate Width/Depth 6.75"
- B: Mounting Holes (2 Screws Diagonal) 6.92"
- C: Mounting Circumcenter (Outer) 6.40"
- D: Mounting Diameter (4 Screws) 5.65"
- E: Mounting Circumcenter (Inner) 3.90"
- F: Mounting Hole Spacing (Square) 4"
- G: Mounting Hole Spacing (2 Screws) 3"
- H: Mounting Hole Diameter 23/64"
- I: Wiring Access 7/8"
- J: Screw Slot Length, Long (3 Total) 1"
- K: Mounting Hole (5 Total) 1/4"
- L: Screw Slot Length, Short (2 Total) 5/32"
- M: Holder Post Height 9"
- N: Total Holder Height 9.70"
- O: Holder Base Width 3.50"



Gen2-4 Crossbar
Type: Clamp On



Gen1 Crossbar
Type: Bolt-On



Assembly Manual also available:

ASH-8125

USOV-ASH8125-US01 Rev-A 0118