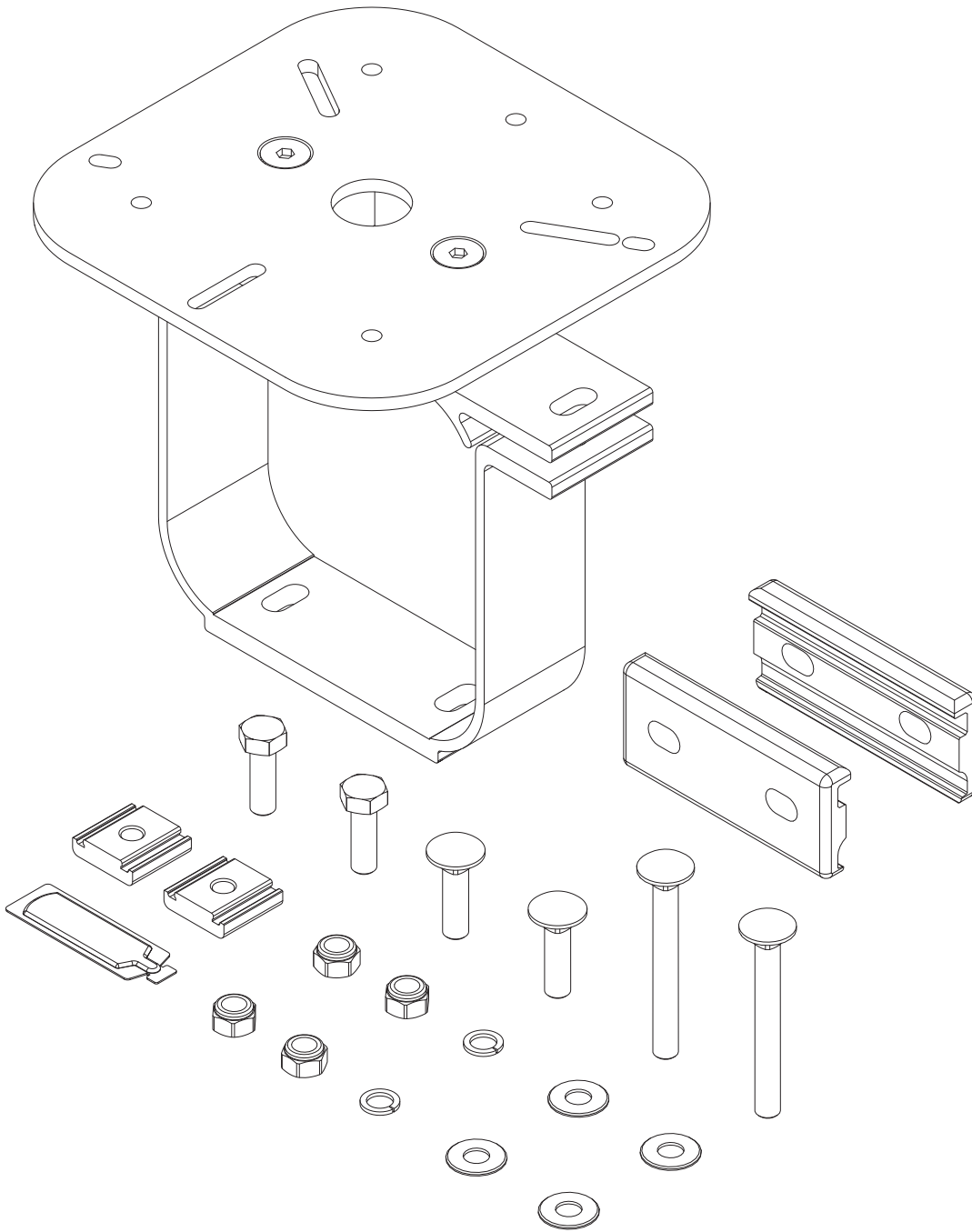


PRIME DESIGN™

A Safe Fleet Brand



ASH 8033

UNIVERSAL STROBE/GO-LIGHT HOLDER

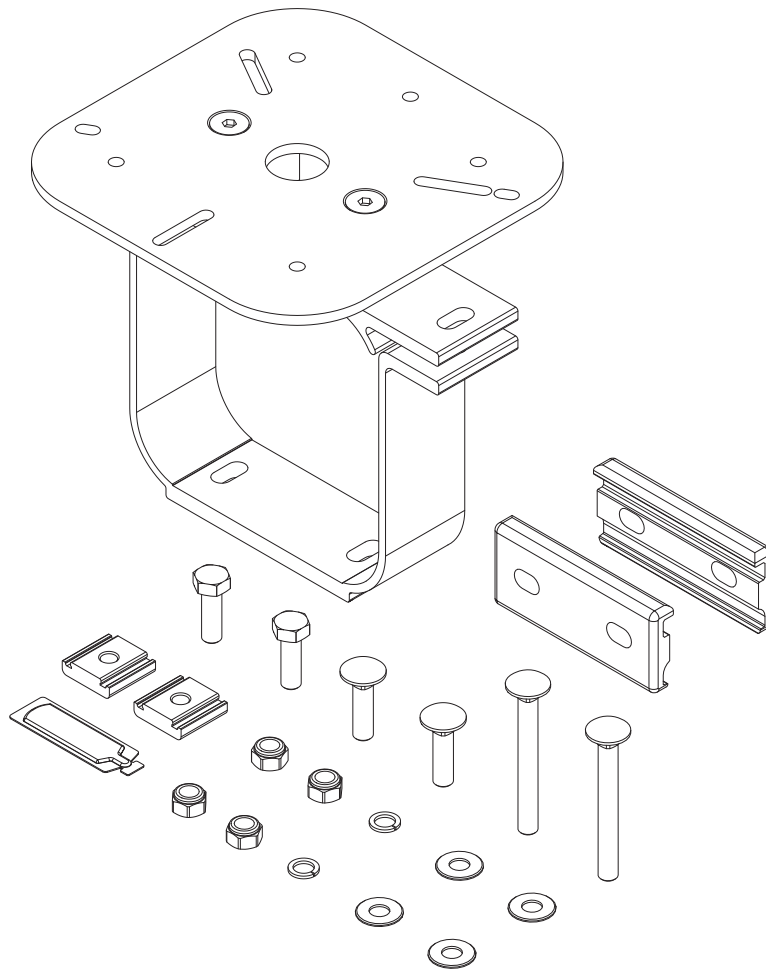
PRIME DESIGN, A SAFE FLEET BRAND

Address: 580 Opperman Drive, Eagan, MN 55123 • Toll Free: 1.8.PRIME.RACK
Fax: 651-552-1799 • Email: info@primedesign.net • Website: www.primedesign.net

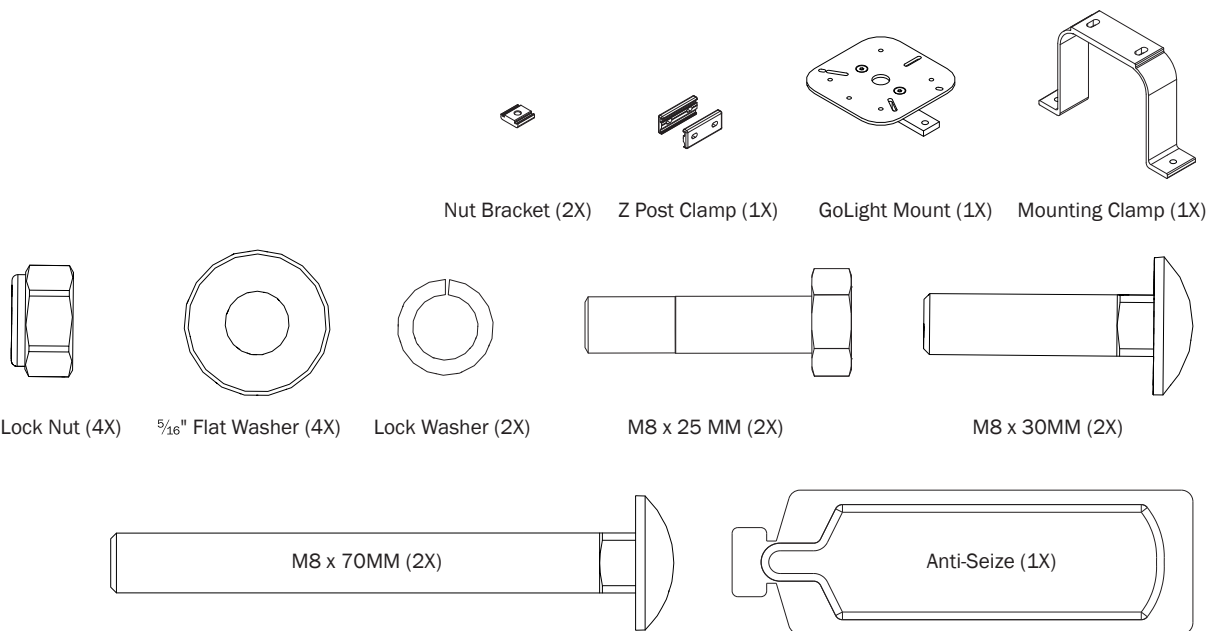
CONTENTS OVERVIEW



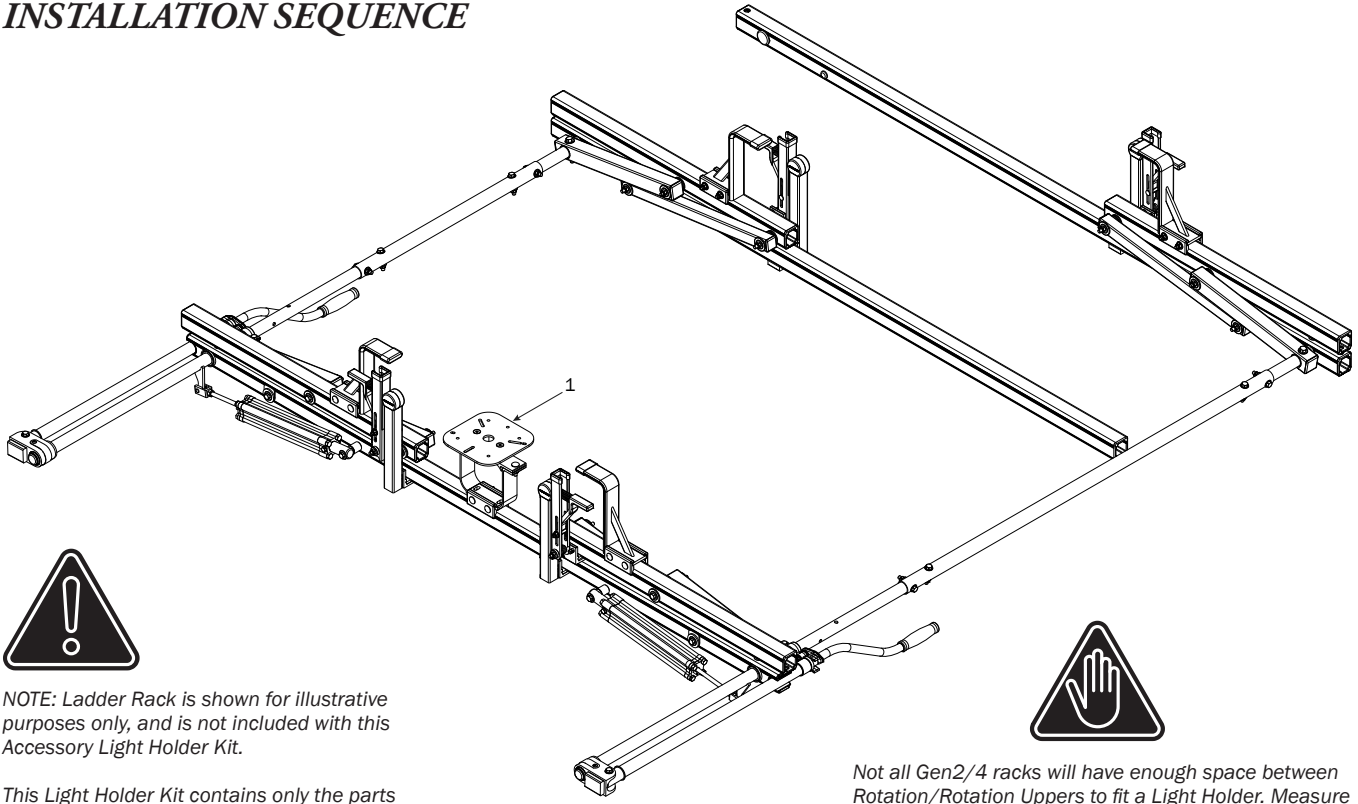
Note: Rack model and Conduit Carriers are shown in this Manual for illustrative purposes only, and are not included with this Light Holder assembly.



ASH-8033 Strobe/Go-Light Holder, Universal



GEN2/4 LIGHT HOLDER INSTALLATION SEQUENCE



NOTE: Ladder Rack is shown for illustrative purposes only, and is not included with this Accessory Light Holder Kit.

This Light Holder Kit contains only the parts needed to repair, replace, or retrofit one Crossbar. Order an additional kit for the other Crossbar to add an additional accessory light.



Not all Gen2/4 racks will have enough space between Rotation/Rotation Uppers to fit a Light Holder. Measure prior to installing to ensure there will be no rotation Upper interference. A minimum of 10.00" is required between the inside ends of Rotation/Rotation Uppers.

LIGHT HOLDER INSTALLATION

1.1 Assemble the Light Holder Clamps onto the Crossbar using the provided hardware shown below. Do not tighten until Step 1.5.



M8 x 70MM

1.2

Place the Light Holder Clamps into the top groove of the Crossbar, ensuring the Clamps seat into the Crossbar's groove.

1.3

Place the Light Holder between the Clamps, and ensure the Holder fully engages the Clamp's top groove.

1.4

Light Holder base must seat in the Clamp's upper groove.

- 1.5** If mounted to a Rotation/Rotation rack, center the Accessory Light Holder evenly between the Uppers as seen in Figure 1. If using on a rack equipped with only one rotation, mount a minimum distance of 1.00" to prevent interference or binding with the Rotation Upper as seen on Figure 2. Torque Light Holder Clamp nuts to 90 in-lbs.

Figure 1

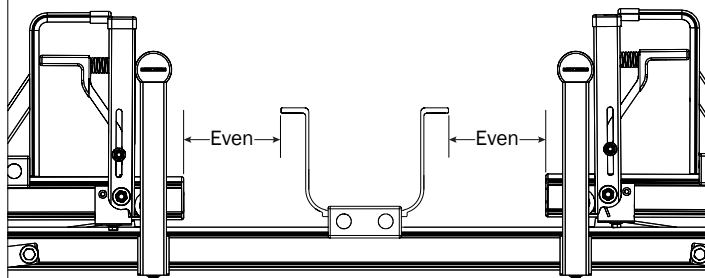
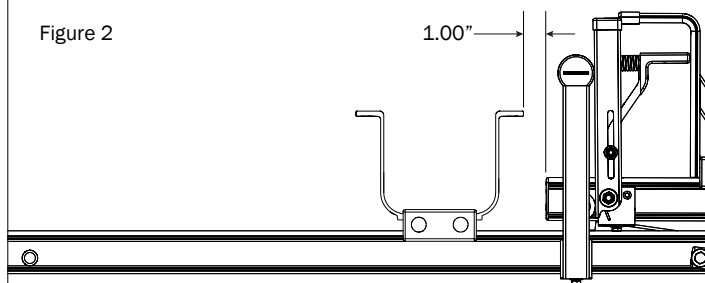
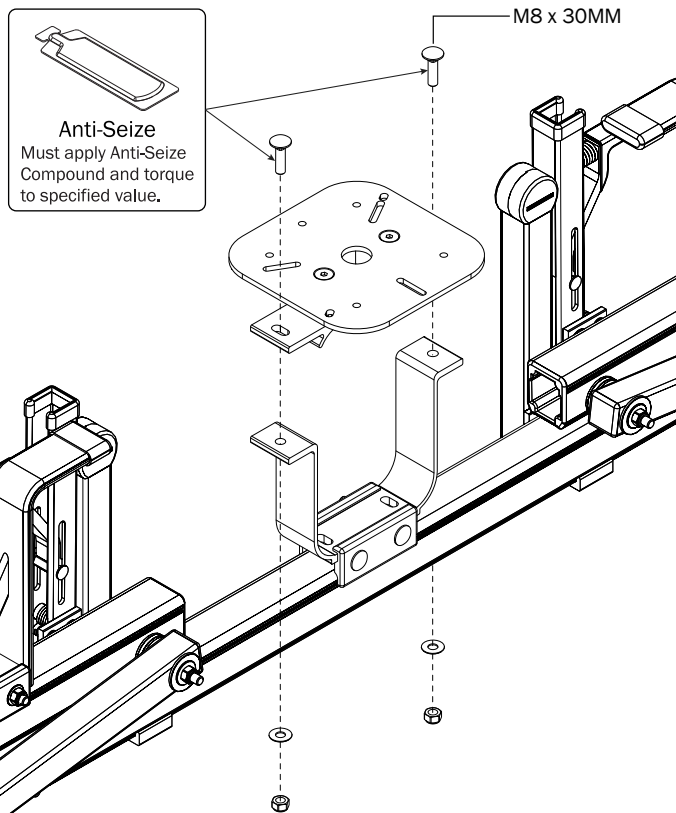


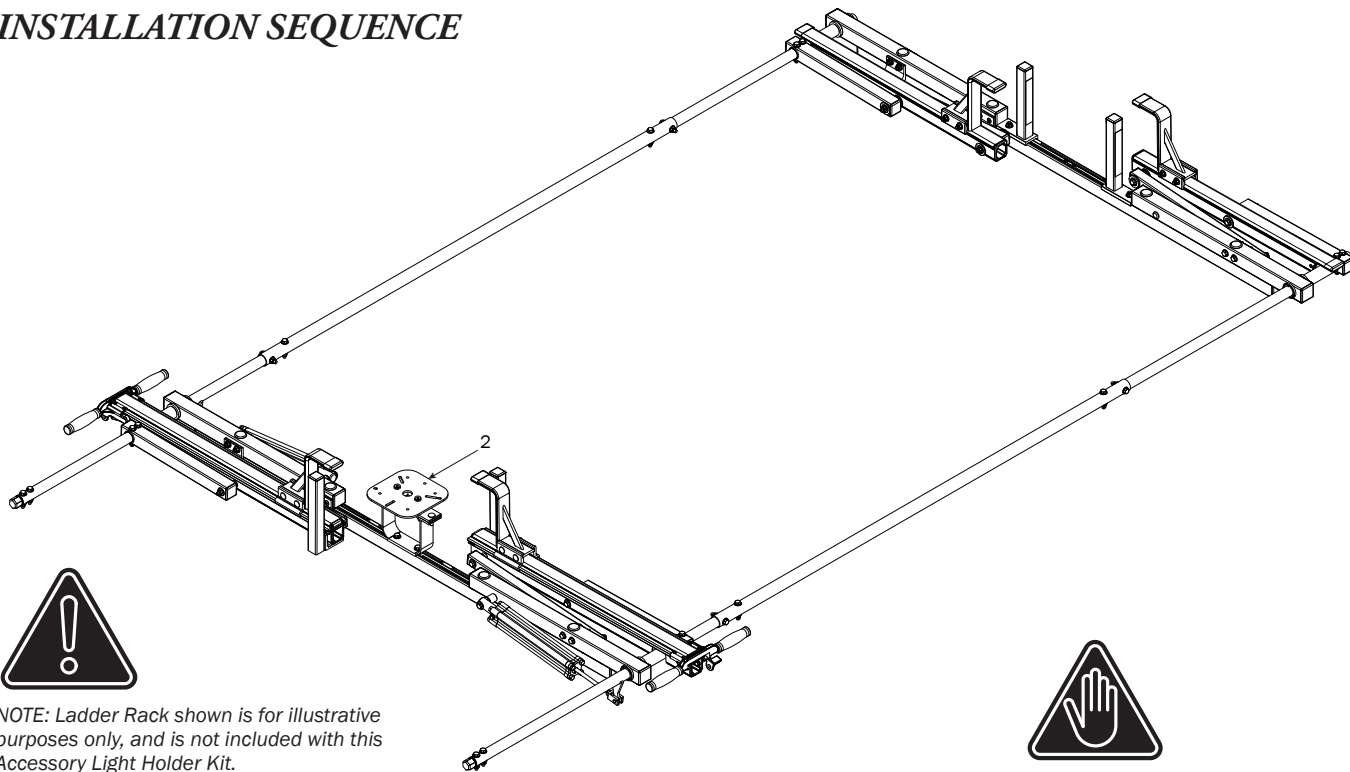
Figure 2



- 1.6** Attach the GoLight Holder to the Mounting Clamp using the hardware shown and torque to 90 in-lbs.



GEN5 LOW PROFILE LIGHT HOLDER INSTALLATION SEQUENCE



NOTE: Ladder Rack shown is for illustrative purposes only, and is not included with this Accessory Light Holder Kit.

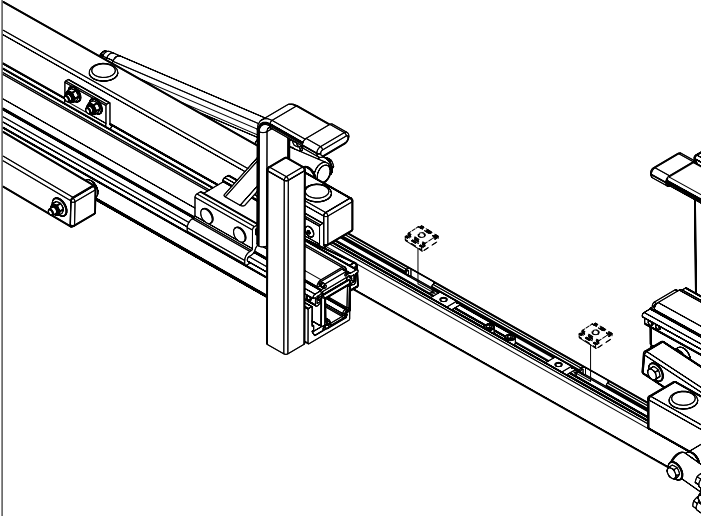
This Light Holder Kit contains only the parts needed to repair, replace, or retrofit one Crossbar. Order an additional kit for the other Crossbar to add an additional accessory light.



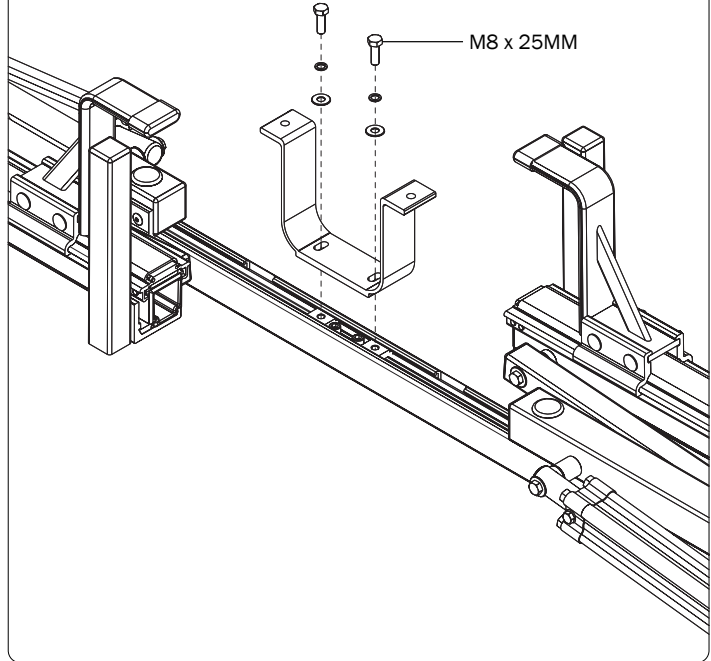
Not all Gen5 racks will have enough space between Rotation/Rotation Uppers to fit a Light Holder. Measure prior to installing to ensure there will be no rotation Upper interference. A minimum of 10.00" is required between the inside ends of Rotation/Rotation Uppers.

LIGHT HOLDER INSTALLATION

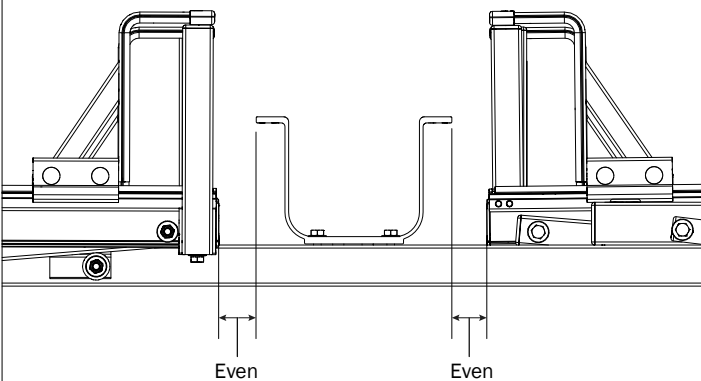
2.1 Place the Nut Brackets into the Crossbar as shown.



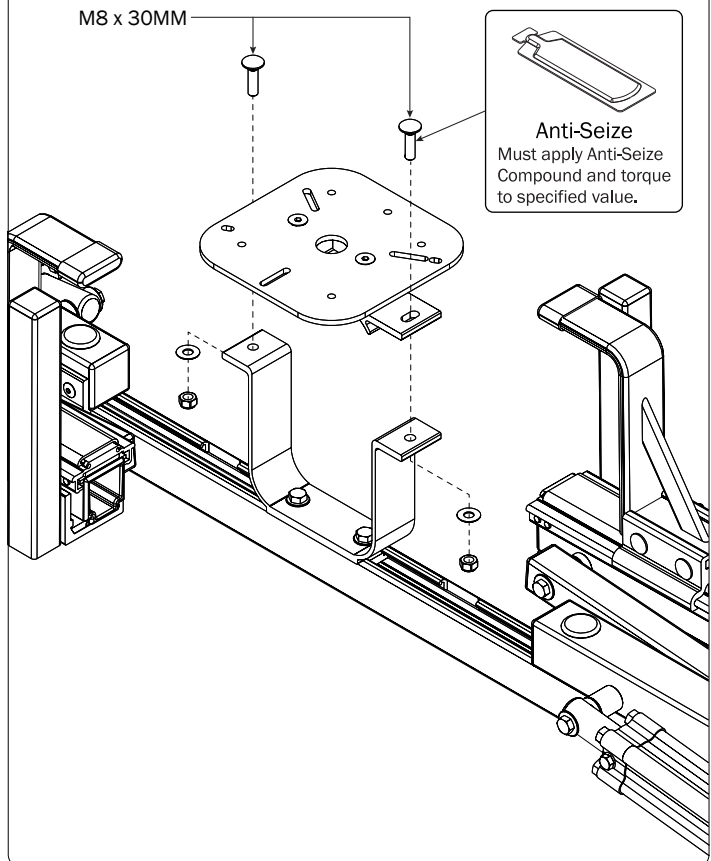
2.2 Assemble the Light Holder Mount onto the Crossbar using the hardware shown below. Torque nuts to 90 in-lbs.



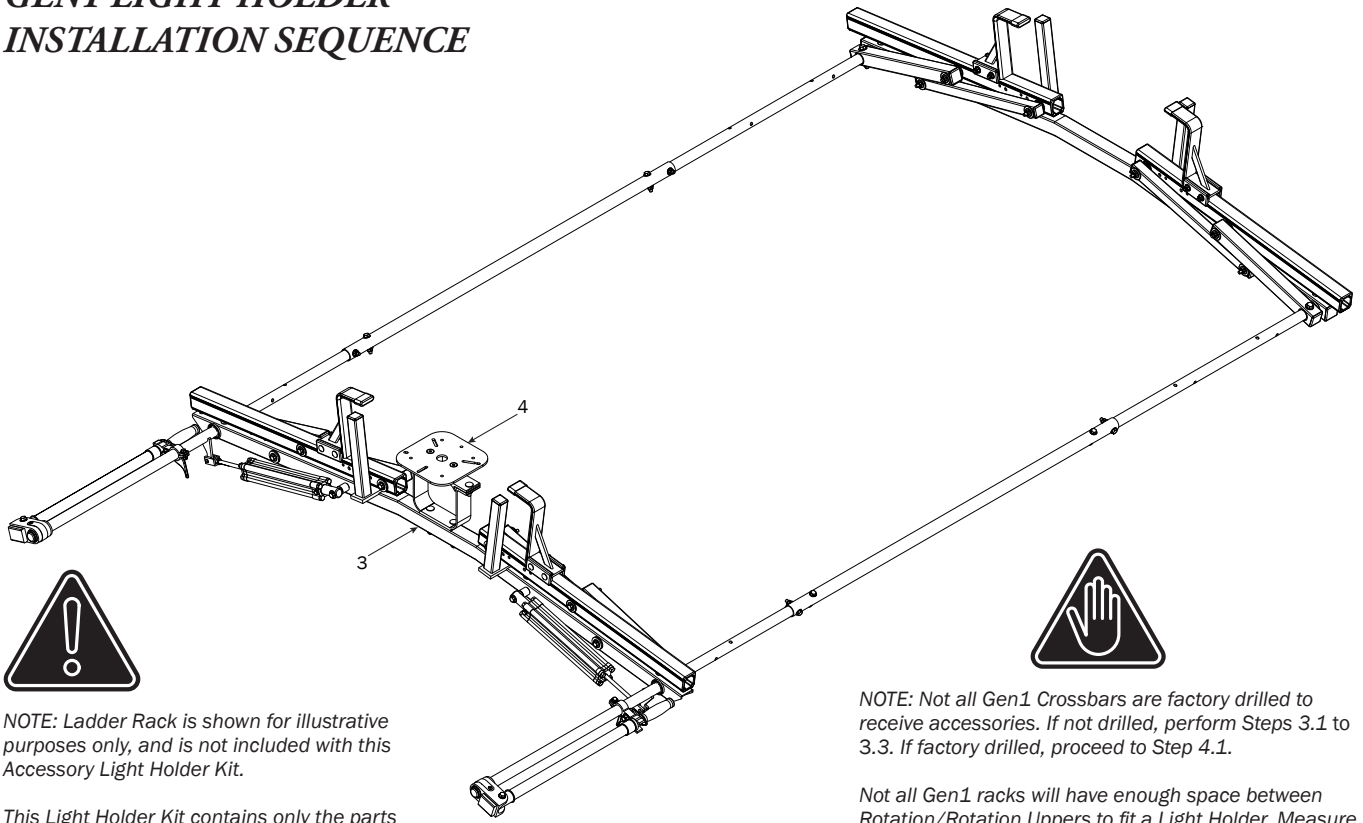
2.3 Center the Accessory Light Holder evenly between the Uppers as seen below. Torque Strip Nut hardware to 90 in-lbs.



2.4 Attach the GoLight Holder to the Mounting Clamp using the hardware shown and torque to 90 in-lbs.



GEN1 LIGHT HOLDER INSTALLATION SEQUENCE



NOTE: Ladder Rack is shown for illustrative purposes only, and is not included with this Accessory Light Holder Kit.

This Light Holder Kit contains only the parts needed to repair, replace, or retrofit one Crossbar. Order an additional kit for the other Crossbar to add an additional accessory light.

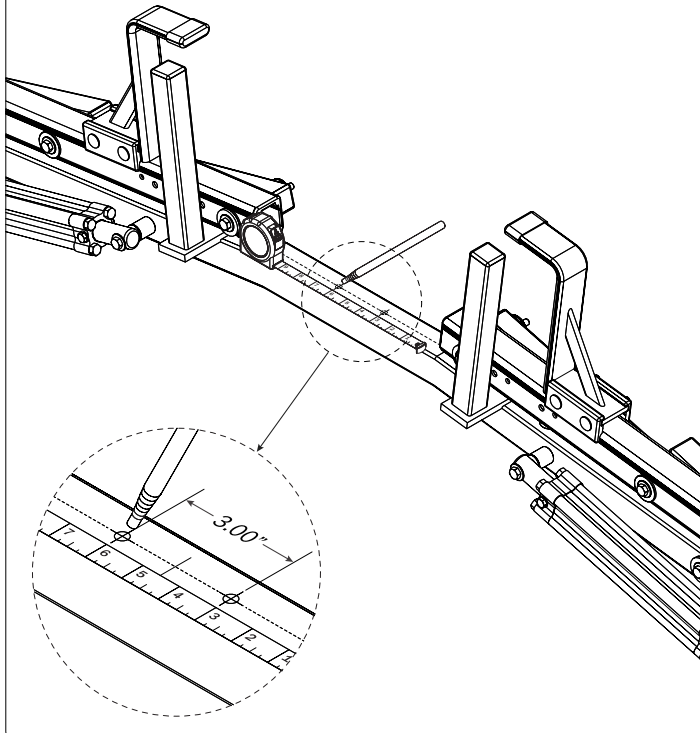


NOTE: Not all Gen1 Crossbars are factory drilled to receive accessories. If not drilled, perform Steps 3.1 to 3.3. If factory drilled, proceed to Step 4.1.

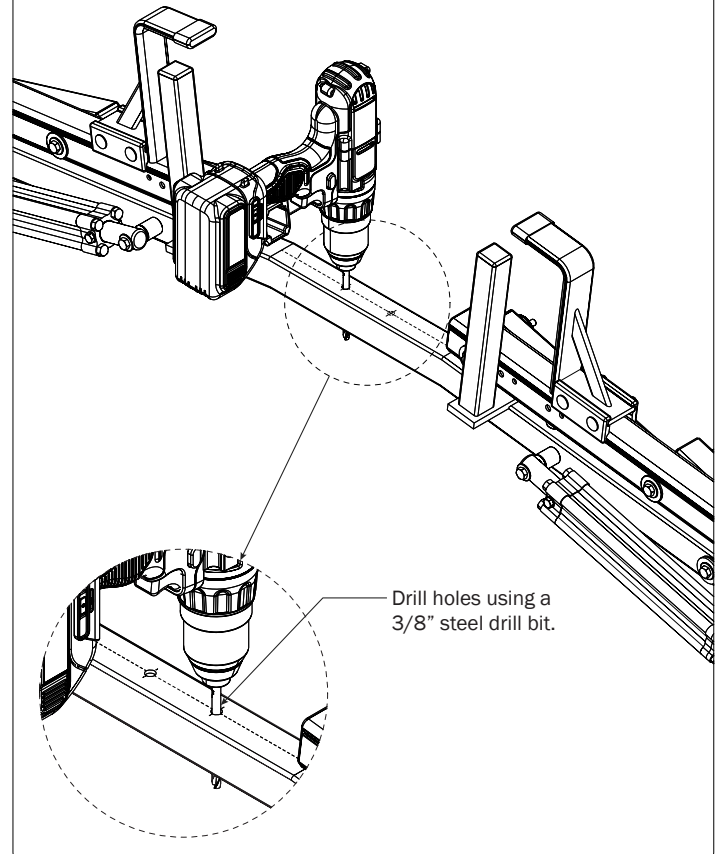
Not all Gen1 racks will have enough space between Rotation/Rotation Uppers to fit a Light Holder. Measure prior to installing to ensure there will be no rotation Upper interference. A minimum of 10.00" is required between the inside ends of Rotation/Rotation Uppers.

CROSSBAR PREPARATION-RETROFIT

- 3.1** Find the center of the top of the Crossbar between the inner bends. Using a grease pencil and mark the center. Measure out 1.50" to the left and right of center, and mark using the grease pencil. The marked distances will measure 3.00" across as shown below.



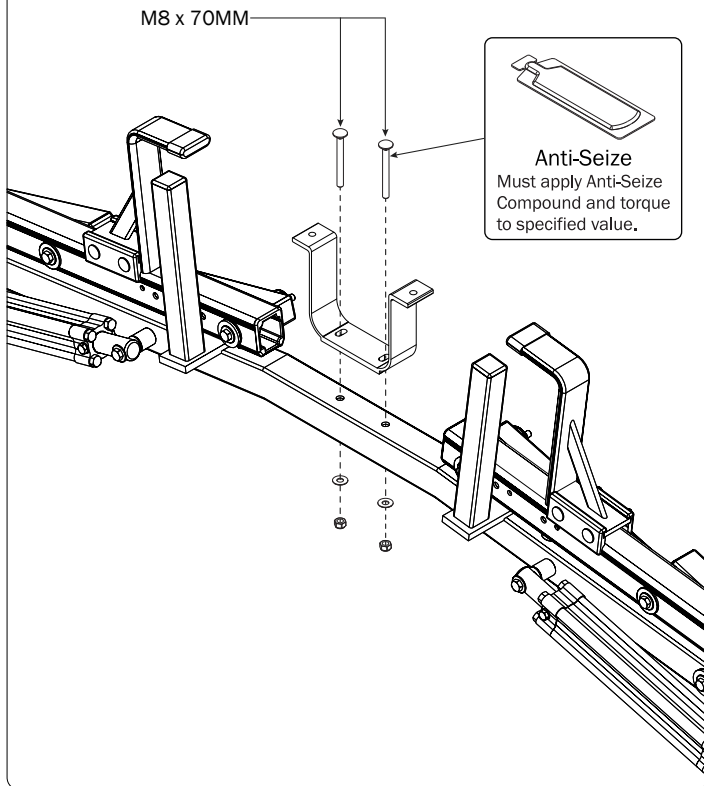
- 3.2** Prior to drilling, mark a center line along the length of the Crossbar to ensure the holes are correctly centered.



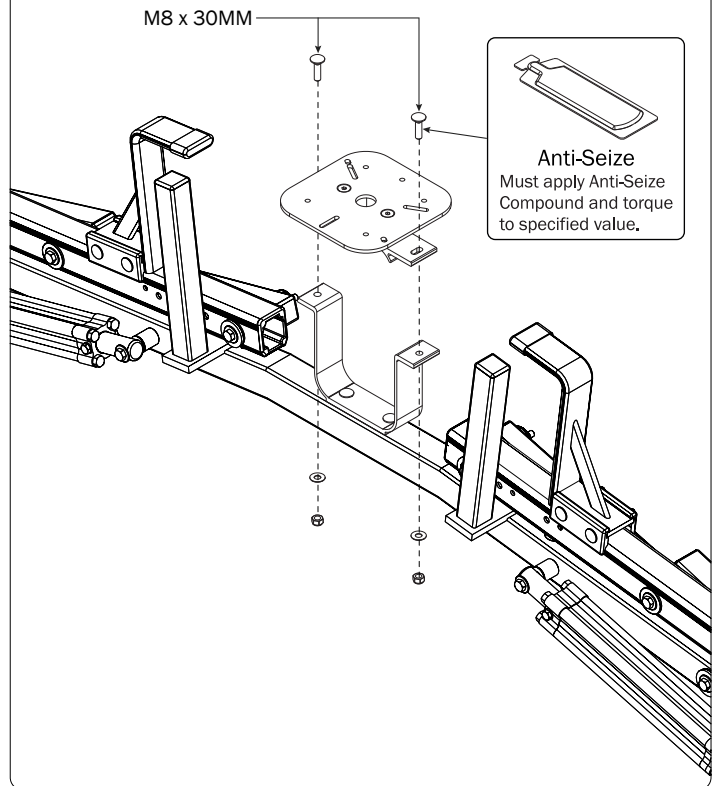
Drill holes using a 3/8" steel drill bit.

LIGHT HOLDER INSTALLATION

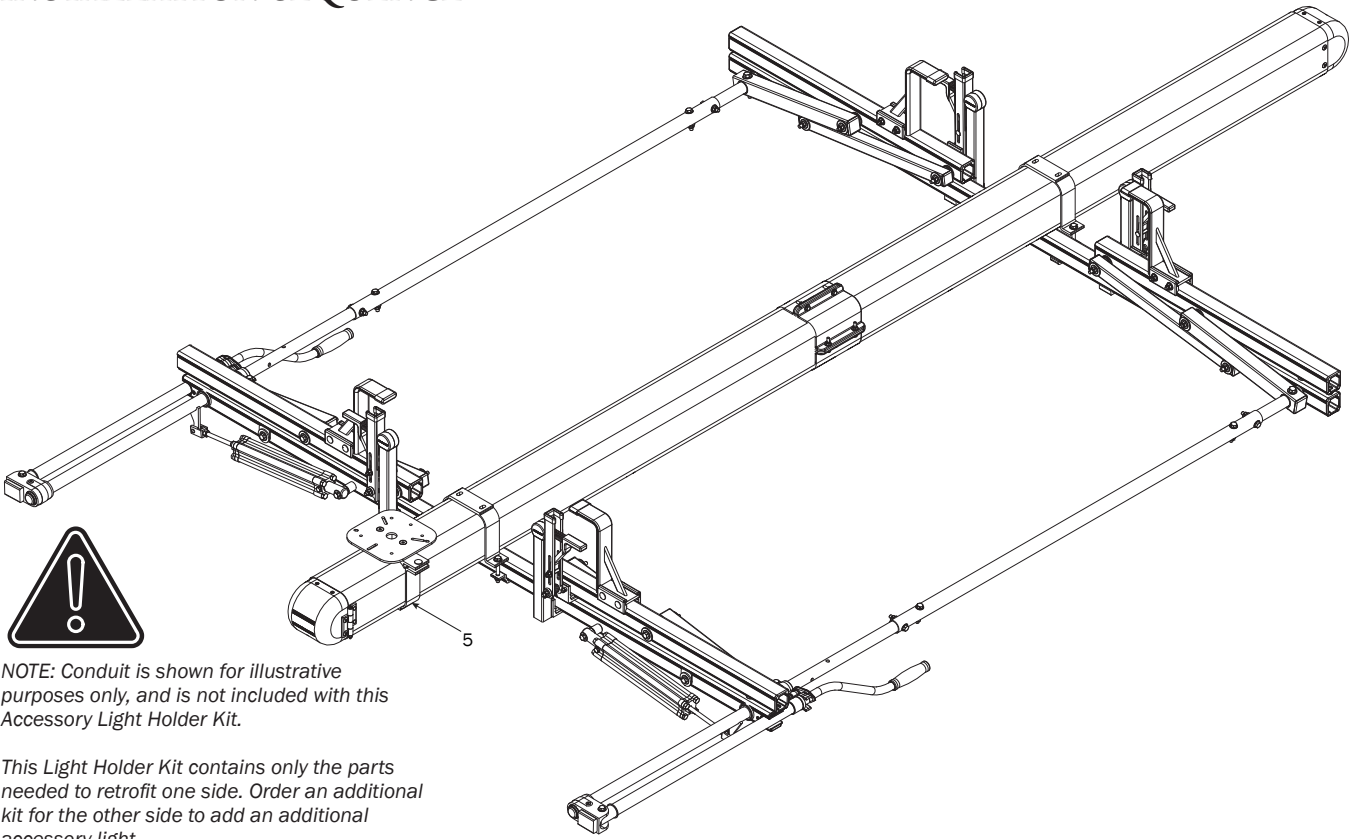
- 4.1** Assemble the Light Holder Mount onto the Crossbar using the hardware shown below. Torque nuts to 90 in-lbs.



- 4.2** Attach the GoLight Holder to the Mounting Clamp using the hardware shown and torque to 90 in-lbs.



CONDUIT LIGHT HOLDER INSTALLATION SEQUENCE

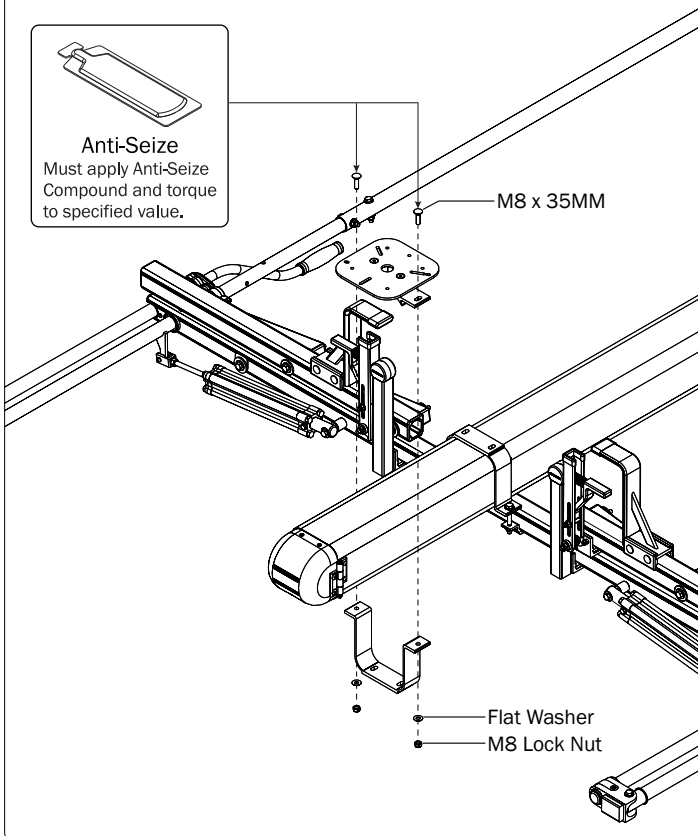


NOTE: Conduit is shown for illustrative purposes only, and is not included with this Accessory Light Holder Kit.

This Light Holder Kit contains only the parts needed to retrofit one side. Order an additional kit for the other side to add an additional accessory light.

CONDUIT MOUNTING

5.1 Place the Strobe Holder onto the Conduit Carrier and attach using the supplied hardware.



5.2

The Strobe Holder can be positioned anywhere between the Conduit Carrier Mounting Clamp and Conduit Lock Latch as shown below in Figure A.

