

# PRIME DESIGN™

A Safe Fleet Brand

## AR1906

### AluRack Pickup, 5'–6' TAG

*Configuration as shown:*

Anodized Aluminum  
Rack Weight (empty): 34 lbs

\*Callouts in this Configuration Overview indicate full module assemblies only.

For details on individual parts, please refer to the linked Module Overviews below.

#### *AR1906 (Clear Anodized)*

A: ..... [AR-2101 84" Side Rail Feature](#)  
B: ..... [AR-2000 53" Crossbar Feature](#)

#### *AR1906-BLK (Black Anodized)*

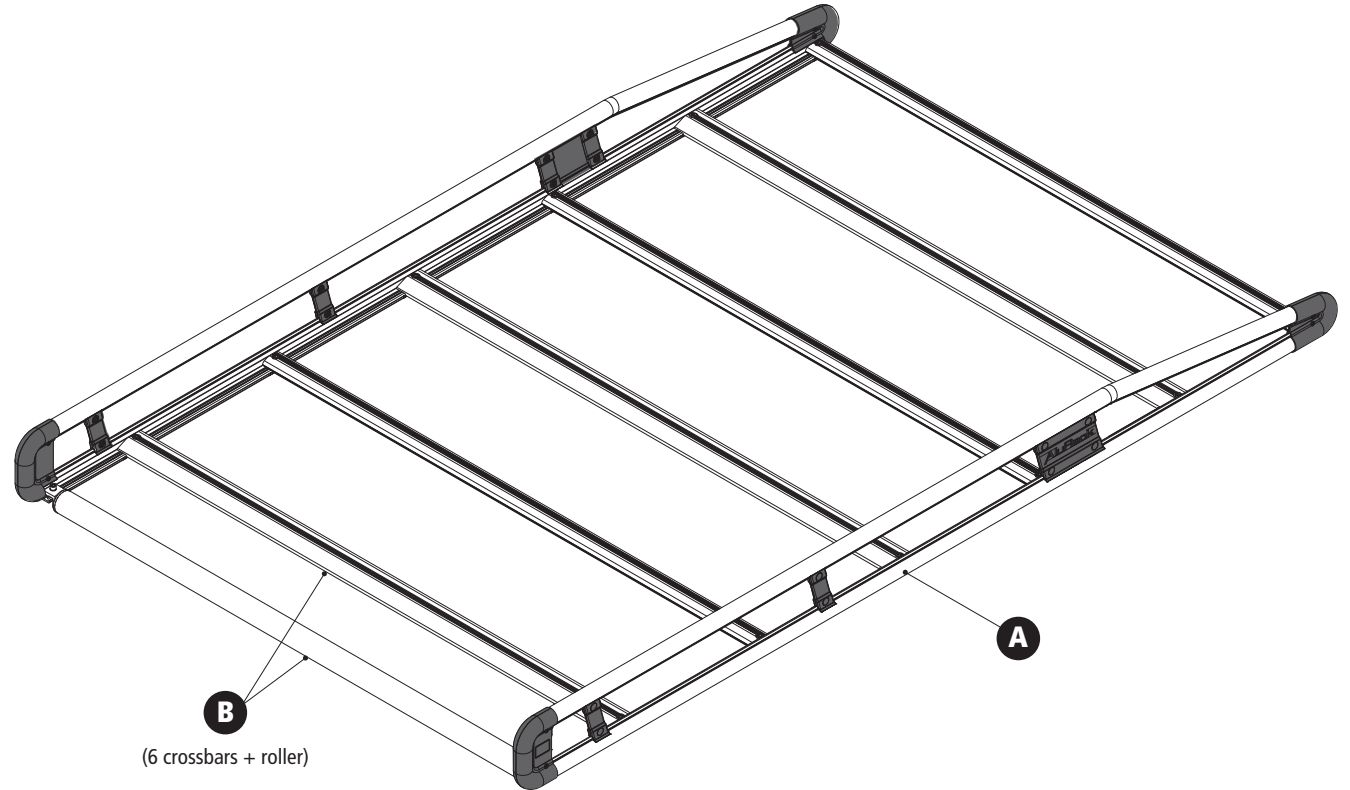
A: ..... [AR-2101-BLK 84" Side Rail Feature](#)  
B: ..... [AR-2000-BLK 53" Crossbar Feature](#)

[Modular Assembly Manuals](#)

#### AluRack—Load specifications:

Check vehicle manufacturer recommendations for roof capacity weight limits.

USOV-AR1906-US01 Rev-A 0719



## AR1906

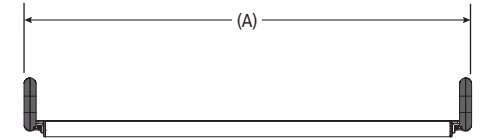
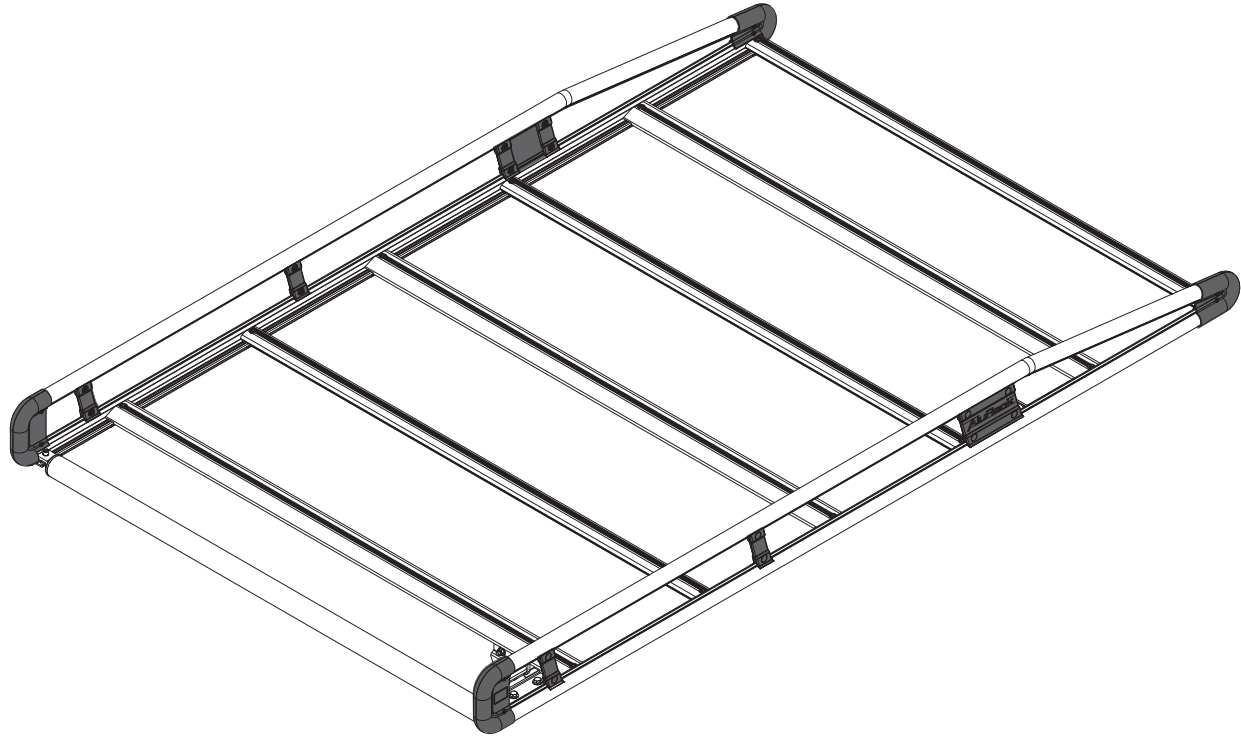
Pickup, 5'–6' TAG

Approximate dimensions as shown:

A: Rack Width .....	55"
B: Rack Length .....	88"
C: Rack Height .....	7.50"

### Compatible Accessories Available (Sold Separately)

Ladder Clamp Down.....	<a href="#">ACX-AXC Series</a>
Retractable Ratchet Tie-Down.....	<a href="#">ACC-8000</a>
8'–12' Conduit Tubes .....	<a href="#">CON Series</a>
WorkPro LED Lighting.....	<a href="#">LED Series</a>
Systems and Safety Components .....	<a href="#">RVS Series</a>
Safety monitoring.....	<a href="#">DS2 Series</a>
Rear Access Ladder.....	<a href="#">AAL Series</a>



Mounting width is set according to vehicle specifications

