

AR1418

AluRack, Promaster L2H1

Configuration as shown:

Anodized Aluminum
Option Rack Weight (empty): 89 lbs

*Callouts in this Configuration Overview indicate full module assemblies only.

For details on individual parts, please refer to the linked Module Overviews below.

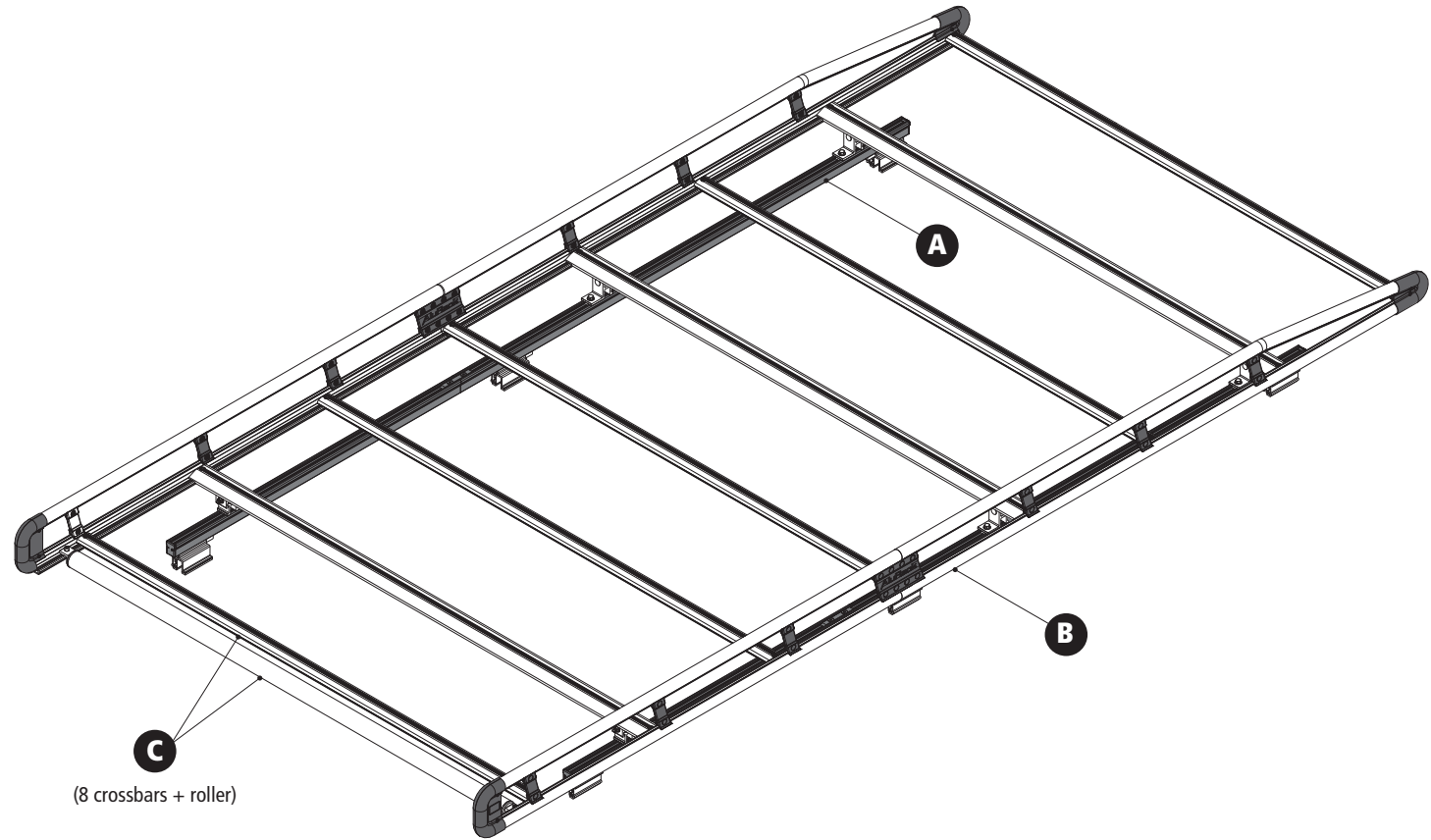
AR1418 (Clear Anodized)

A: [FBM-1007-BLK Mounting System](#)
B: [AR-2106 136" Side Rail Feature](#)
C: [AR-2001 67" Crossbar Feature](#)

AR1418-BLK (Black Anodized)

A: [FBM-1007-BLK Mounting System](#)
B: [AR-2106-BLK 136" Side Rail Feature](#)
C: [AR-2001-BLK 67" Crossbar Feature](#)

[Modular Assembly Manuals](#)



AluRack—Load specifications:

Check vehicle manufacturer recommendations for roof capacity weight limits.

AR1418

Promaster L2H1

Approximate dimensions as shown:

- A: Rack Width 69"
- B: Rack Length 140"
- C: Rack Height 12"

Compatible Accessories Available (Sold Separately)

- Ladder Clamp Down..... [ACX-AXC Series](#)
- Retractable Ratchet Tie-Down.....[ACC-8000](#)
- 8'–12' Conduit Tubes[CON Series](#)
- WorkPro LED Lighting..... [LED Series](#)
- Systems and Safety Components[RVS Series](#)
- Safety monitoring.....[DS2 Series](#)
- Rear Access Ladder.....[AAL Series](#)

