

## AR1413

### AluRack, Promaster L2H2

#### Configuration as shown:

Anodized Aluminum  
Option Rack Weight (empty): 85 lbs

\*Callouts in this Configuration Overview indicate full module assemblies only.

For details on individual parts, please refer to the linked Module Overviews below.

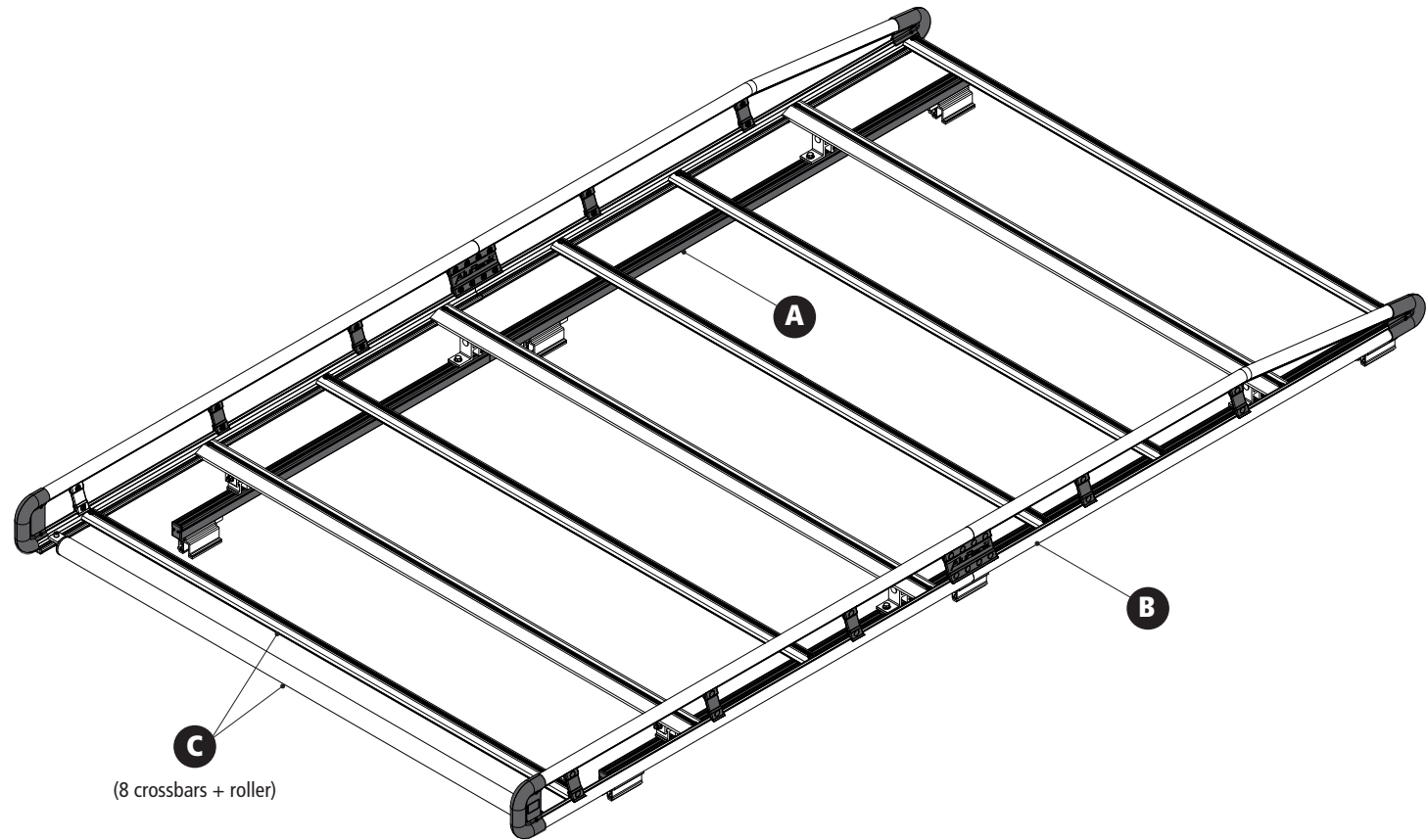
#### AR1413 (Clear Anodized)

- A: ..... [FBM-1007-BLK Mounting System](#)
- B: ..... [AR-2104 120" Side Rail Feature](#)
- C: ..... [AR-2001 67" Crossbar Feature](#)

#### AR1413-BLK (Black Anodized)

- A: ..... [FBM-1007-BLK Mounting System](#)
- B: ..... [AR-2104-BLK 120" Side Rail Feature](#)
- C: ..... [AR-2001-BLK 67" Crossbar Feature](#)

[Modular Assembly Manuals](#)



#### AluRack—Load specifications:

Check vehicle manufacturer recommendations for roof capacity weight limits.

## AR1413

### Promaster L2H2

Approximate dimensions as shown:

- A: Rack Width ..... 69"
- B: Rack Length ..... 125"
- C: Rack Height ..... 12"

#### Compatible Accessories Available (Sold Separately)

- Ladder Clamp Down..... [ACX-AXC Series](#)
- Retractable Ratchet Tie-Down.....[ACC-8000](#)
- 8'–12' Conduit Tubes .....[CON Series](#)
- WorkPro LED Lighting..... [LED Series](#)
- Systems and Safety Components .....[RVS Series](#)
- Safety monitoring.....[DS2 Series](#)
- Rear Access Ladder.....[AAL Series](#)

