

# PRIME DESIGN™

A Safe Fleet Brand

## AR1301-S

### AluRack, Ford "E" Series Van

#### Configuration as shown:

Anodized Aluminum  
Rack Weight (empty): 81 lbs

\*Callouts in this Configuration Overview indicate full module assemblies only.

For details on individual parts, please refer to the linked Module Overviews below.

#### AR1301-S (Clear Anodized)

A: ..... [FBM-1068-BLK Mounting System](#)  
B: ..... [AR-2104 120" Side Rail Feature](#)  
C: ..... [AR-2001 67" Crossbar Feature](#)

#### AR1301-S-BLK (Black Anodized)

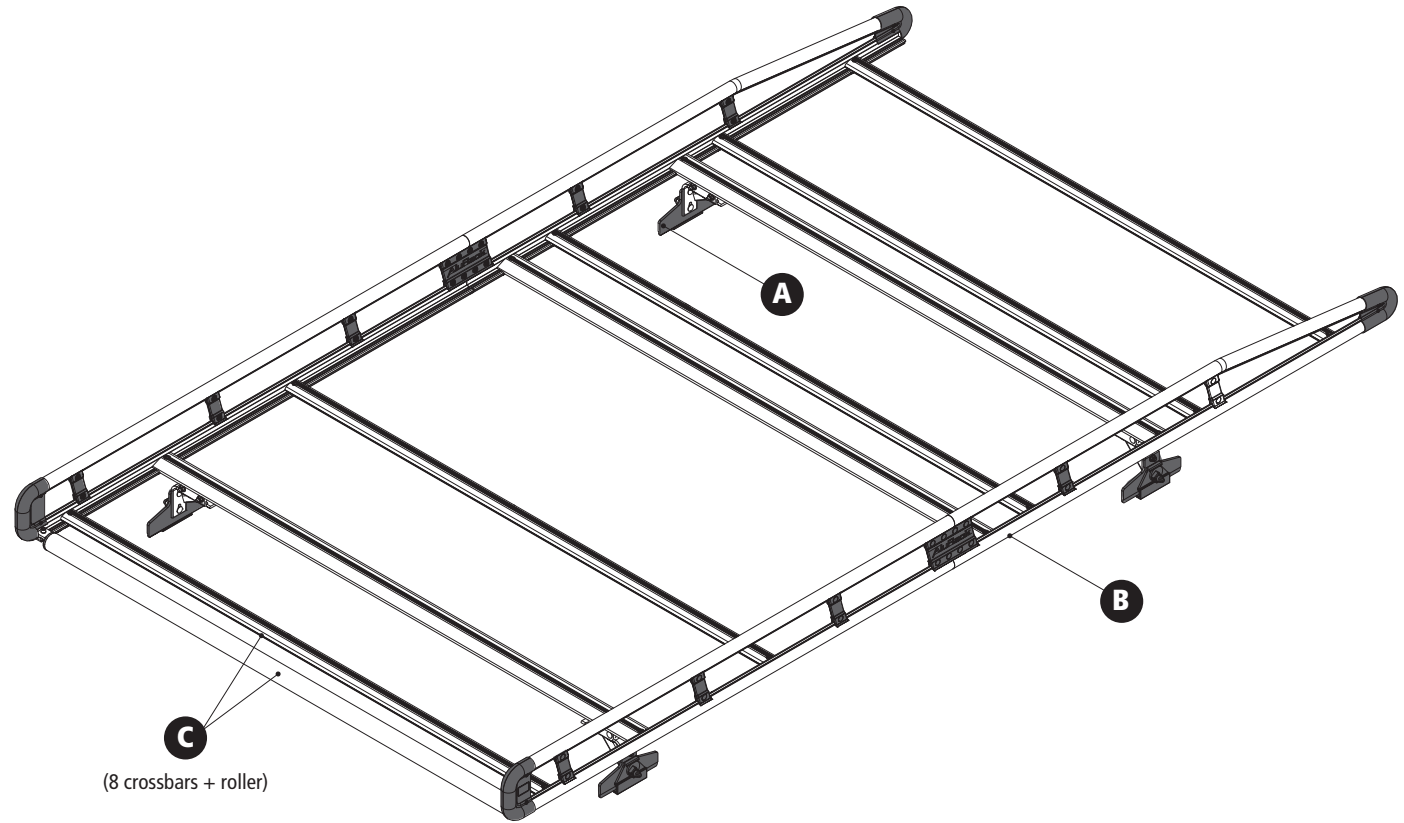
A: ..... [FBM-1068-BLK Mounting System](#)  
B: ..... [AR-2104-BLK 120" Side Rail Feature](#)  
C: ..... [AR-2001-BLK 67" Crossbar Feature](#)

[Modular Assembly Manuals](#)

#### AluRack—Load specifications:

Check vehicle manufacturer recommendations for roof capacity weight limits.

USOV-AR1301S-US01 Rev-A 0622



## AR1301-S

### AluRack, Ford "E" Series Van

Approximate dimensions as shown:

- A: Rack Width ..... 69"
- B: Rack Length ..... 124"
- C: Rack Height ..... 12"

#### Compatible Accessories Available (Sold Separately)

- Ladder Clamp Down..... [ACX-AXC Series](#)
- Retractable Ratchet Tie-Down.....[ACC-8000](#)
- 8'-12' Conduit Tubes .....[CON Series](#)
- WorkPro LED Lighting..... [LED Series](#)
- Systems and Safety Components .....[RVS Series](#)
- Safety monitoring.....[DS2 Series](#)

