

AR1221

AluRack 2015 City Express and NV200

Configuration as shown:

Anodized Aluminum
Rack Weight (empty): 56 lbs

*Callouts in this Configuration Overview indicate full module assemblies only.

For details on individual parts, please refer to the linked Module Overviews below.

AR1221 (Clear Anodized)

A: [FBM-1014-BLK Mounting System](#)
B: [AR-2102 96" Side Rail Feature](#)
C: [AR-2000 53" Crossbar Feature](#)

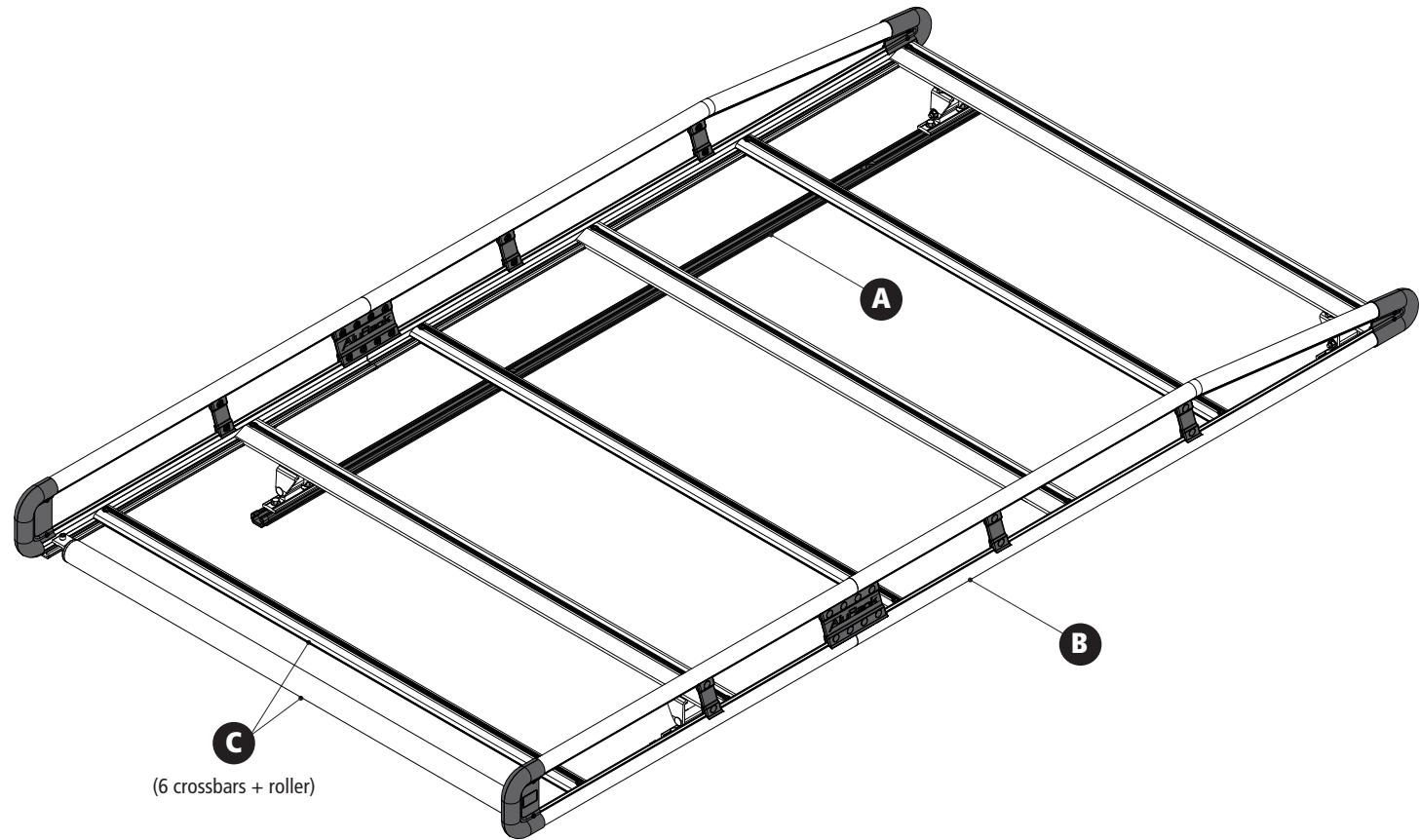
AR1221-BLK (Black Anodized)

A: [FBM-1014-BLK Mounting System](#)
B: [AR-2102-BLK 96" Side Rail Feature](#)
C: [AR-2000 53" Crossbar Feature](#)

[Modular Assembly Manuals](#)

AluRack—Load specifications:

Check vehicle manufacturer recommendations for roof capacity weight limits.



AR1221

2015 Chevy Express and NV200

Approximate dimensions as shown:

- A: Rack Width 55"
- B: Rack Length 101"
- C: Rack Height 10.50"

Compatible Accessories Available (Sold Separately)

- Ladder Clamp Down..... [ACX-AXC Series](#)
- Retractable Ratchet Tie-Down.....[ACC-8000](#)
- 8'–12' Conduit Tubes.....[CON Series](#)
- WorkPro LED Lighting..... [LED Series](#)
- Systems and Safety Components.....[RVS Series](#)
- Safety monitoring.....[DS2 Series](#)

