

ACC-8000

Ratchet Strap Assembly

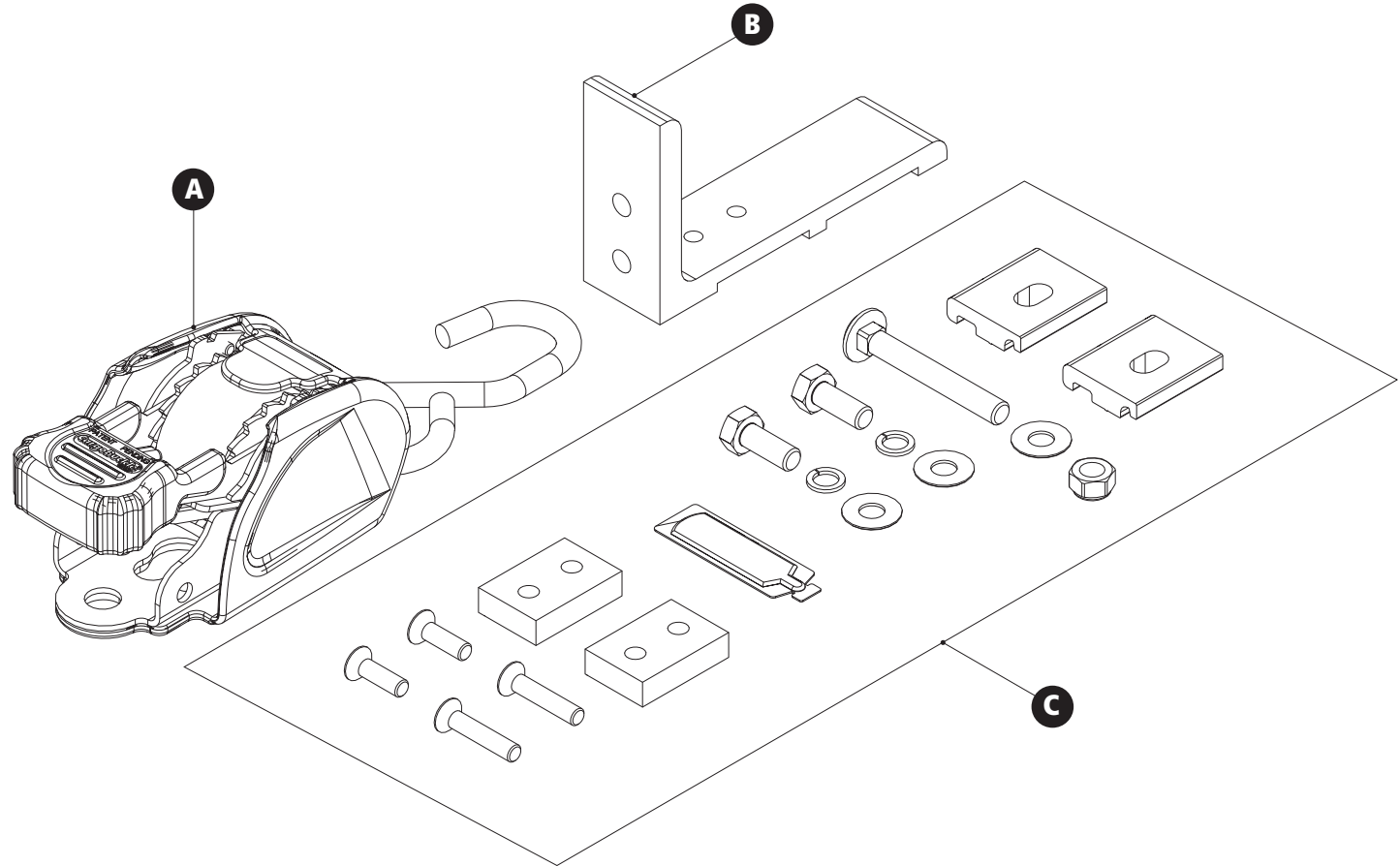
Configuration as shown:

Weight (empty): 1.50 lbs

*Callouts in this Overview indicate assemblies and kits.

- A:ACC-0012 Ratchet Strap
- B:ACC-1006 Mounting Base
- C: HKT-8193 Mounting Hardware

[Assembly Manual](#)



Load specifications:

- Strap Material: Seat belt quality, polyester web
- Strap Width: 1"
- Strap Length: 72"
- Break Strength: 1,400 lbs./ea
- Safe Working Load: 466 lbs./ea

ACC-8000

Ratchet Strap Assembly

Variations as shown:

A: ErgoRack Base Configuration

B: AluRack Light Duty Crossbar Configuration

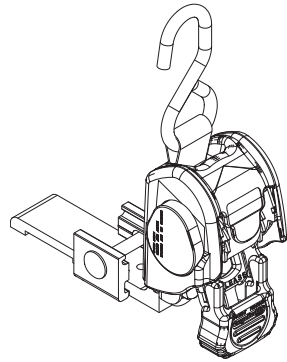
C: AluRack Heavy Duty Crossbar Configuration

Compatible Racks Available

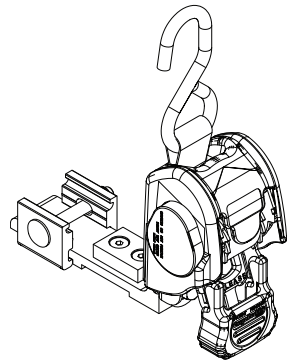
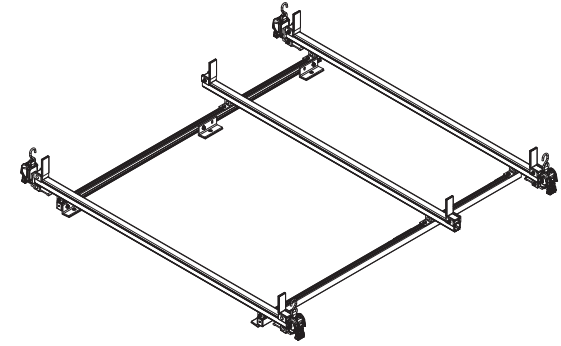
(Sold Separately)

[ErgoRack](#) (Racks including a Base configuration)

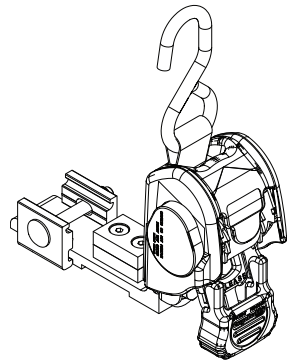
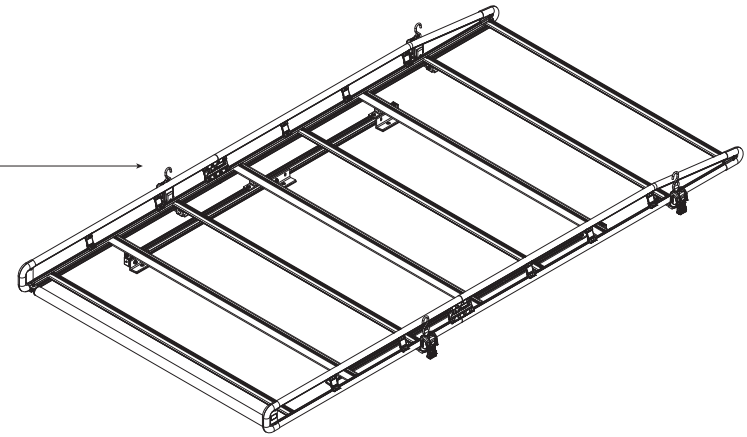
[AluRack](#)



A



B



C

