

## VRC3-FT-M

### ErgoRack, Ford Transit Low Roof

Three Crossbars, Powder Coat Finish  
Rack Weight (empty): 96 lbs

\*Callouts in this Configuration Overview indicate full module assemblies only.

For details on individual parts, please refer to the linked Module Overviews below.

- A: ..... [FEA-0016 Rotation Driveshaft Feature](#)
- B: ..... [FBM-1017-BLK Mounting System](#)
- C: ..... [FEA-0002 Rotation Assembly](#)
- D: ..... [CBR-0005 Crossbar Assembly](#)
- E: ..... [CBR-0006 Crossbar Assembly](#)
- F: ..... [FEA-0008 Clamp Down Assembly](#)

[Modular Assembly Manuals](#)

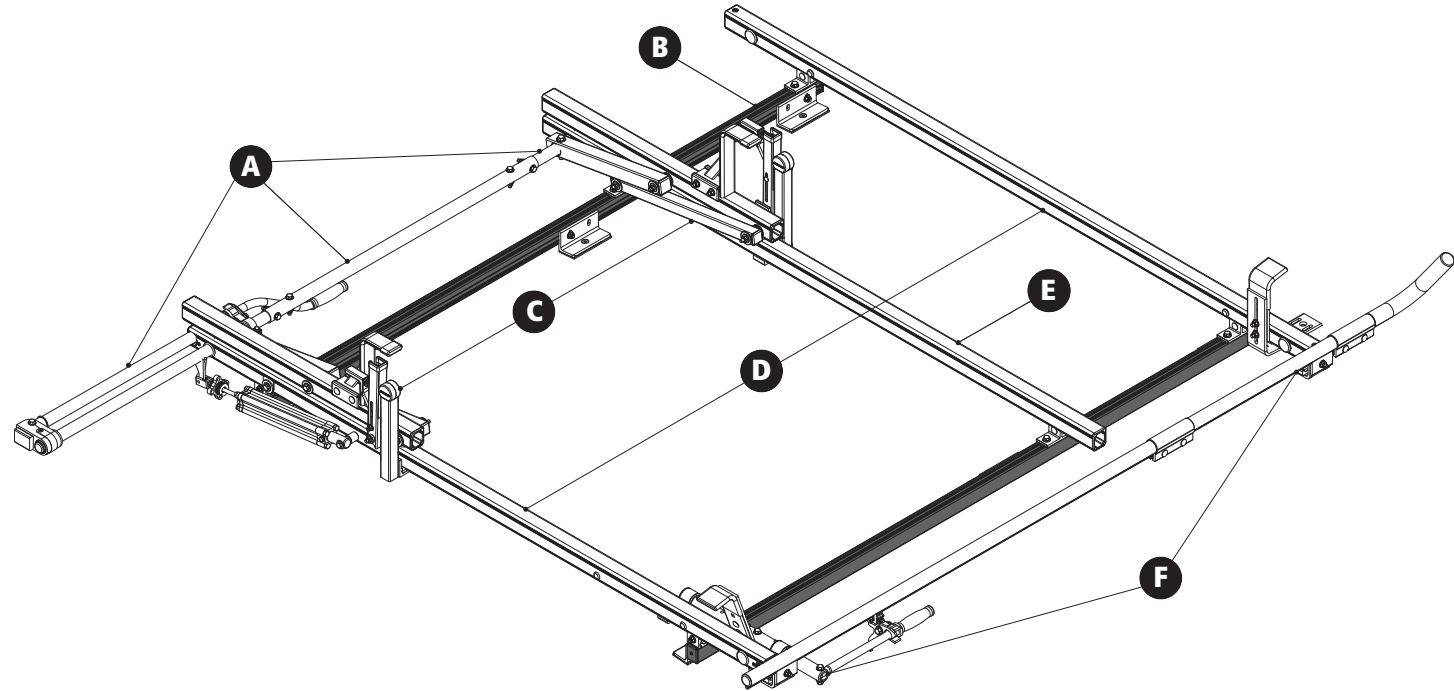
### ErgoRack Van—Load specifications:

Check vehicle manufacturer recommendations for roof capacity weight limits.

CROSSBAR SPACING	STEP LADDER	EXT. LADDER
4 ft Spacing	6 – 8 ft.	16 – 20 ft.
5 ft Spacing	8 – 10 ft.	16 – 24 ft.
6 ft Spacing	8 – 12 ft. <sup>†</sup>	16 – 28 ft.
7 ft Spacing	10 – 12 ft. <sup>†</sup>	20 – 32 ft.
8 ft Spacing	10 – 12 ft. <sup>†</sup>	20 – 36 ft.

<sup>†</sup>Rotation Configurations: 12 ft. step ladders require an extended upper add-on component.

\*Example shown with 130" Wheelbase Configuration



## VRC3-FT-M

### ErgoRack, Ford Transit Low Roof

Approximate dimensions as shown:

#### All Wheelbases

A: Rack Width .....	82"
B: Rack Height .....	16"
C: Rear Crossbar Offset (Left).....	10.25"
D: Mount Bolt Spacing L/R.....	54"

#### 130" Wheelbase

E: Crossbar Spacing (rear to center) .....	4'
F: Crossbar Spacing (center to front) .....	2'
G: Total Crossbar Spacing .....	6'
H: Rack Length.....	109"

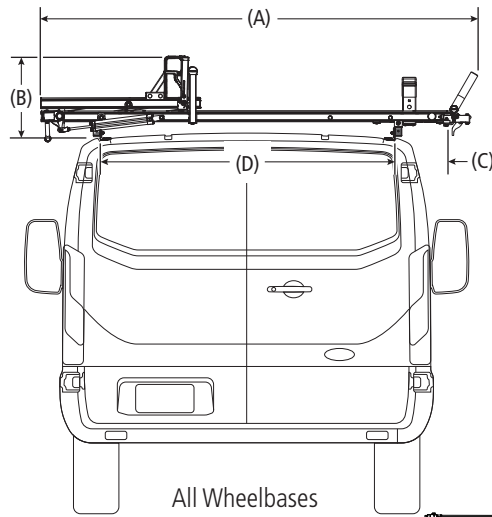
#### 148" Wheelbase

I: Crossbar Spacing (rear to center) .....	4'
J: Crossbar Spacing (center to front).....	4'
K: Total Crossbar Spacing .....	8'
L: Rack Length .....	133"

#### Compatible Accessories Available

(Sold Separately)

5' Rotation Connecting Bar .....	<a href="#">FEA-0022</a>
Rear Access Ladder.....	<a href="#">AAL Series</a>
WorkPro LED Lighting.....	<a href="#">LED Series</a>
Systems and Safety Components .....	<a href="#">RVS Series</a>
Safety monitoring.....	<a href="#">DS2 Series</a>

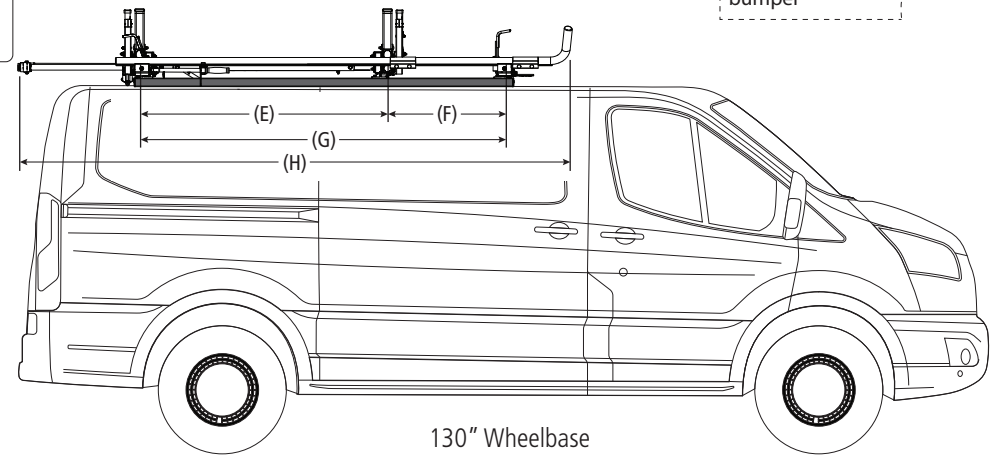


All Wheelbases

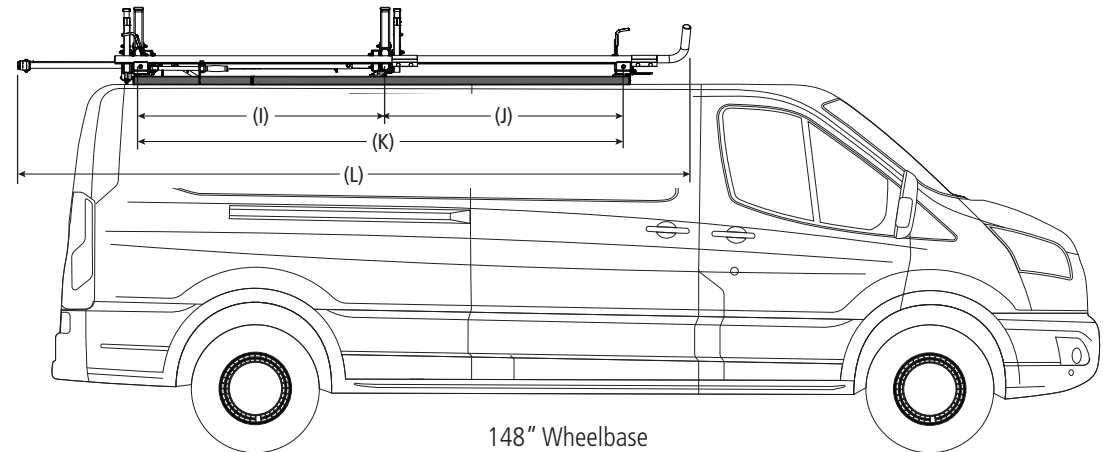


Rear Drive Shaft Offset: 24"

Note: The end of the driveshaft must not extend beyond the vehicle bumper



130" Wheelbase



148" Wheelbase