

VRB-FT-M

ErgoRack, Ford Transit Low Roof

Two Crossbars, Powder Coat Finish
Rack Weight (empty): 77 lbs

*Callouts in this Configuration Overview indicate full module assemblies only.

For details on individual parts, please refer to the linked Module Overviews below.

- A: [FEA-0001 End Stop Assembly](#)
- B: [FBM-1017-BLK Mounting System](#)
- C: [CBR-0005 Crossbar Assembly](#)
- D: [FEA-0002 Rotation Assembly](#)
- E: [FEA-0016 Rotation Driveshaft Feature](#)

[Modular Assembly Manuals](#)

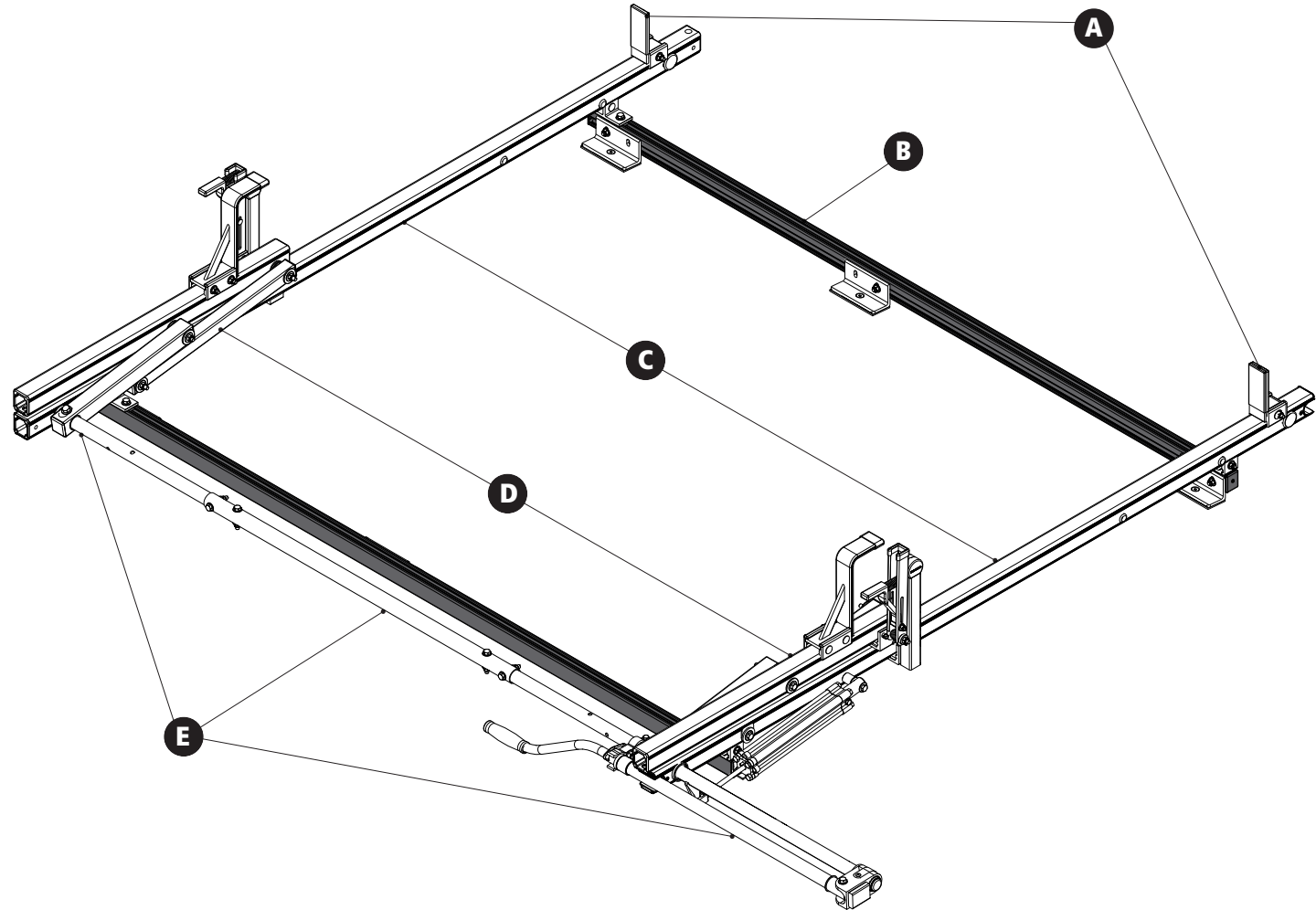
ErgoRack Van—Load specifications:

Check vehicle manufacturer recommendations for roof capacity weight limits.

CROSSBAR SPACING	STEP LADDER	EXT. LADDER
4 ft Spacing	6 – 8 ft.	16 – 20 ft.
5 ft Spacing	8 – 10 ft.	16 – 24 ft.
6 ft Spacing	8 – 12 ft. [†]	16 – 28 ft.
7 ft Spacing	10 – 12 ft. [†]	20 – 32 ft.
8 ft Spacing	10 – 12 ft. [†]	20 – 36 ft.

[†]Rotation Configurations: 12 ft. step ladders require an extended upper add-on component.

*Example shown with 130" Wheelbase Configuration



VRB-FT-M

ErgoRack, Ford Transit Low Roof

Approximate dimensions as shown:

All Wheelbases

A: Rack Width	78"
B: Rack Height	16"
C: Rear Crossbar Offset (Right)	10.25"
D: Mount Bolt Spacing L/R.....	54"


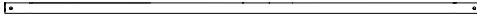
130" Wheelbase

E: Total Crossbar Spacing.....	6'
F: Rack Length	100"

148" Wheelbase

G: Total Crossbar Spacing	*6'
H: Rack Length.....	121"

* Optional 5' Connecting Bar Feature, [FEA-0022](#) is required per Rotation side-to extend Crossbar distance beyond 6' (8' max). Please Contact Prime Design Customer Service.

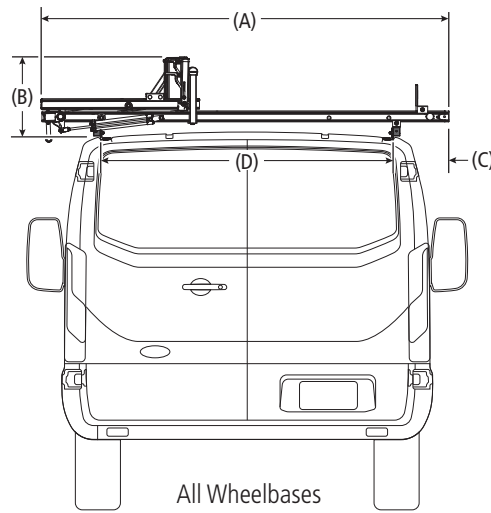
	3' Connecting Bar (Included in current configuration)
	5' Connecting Bar (Sold separately)

Compatible Accessories Available

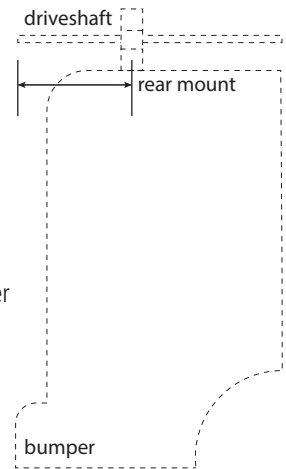
(Sold Separately)

5' Rotation Connecting Bar	FEA-0022
Retractable Ratchet Tie-Down	ACC-8000
Rear Access Ladder.....	AAL Series
8'-12' Conduit Carriers.....	CON Series
WorkPro LED Lighting.....	LED Series
Systems and Safety Components	RVS Series
Safety monitoring.....	DS2 Series

USOV-VRBFTM-US01 Rev-A 1119

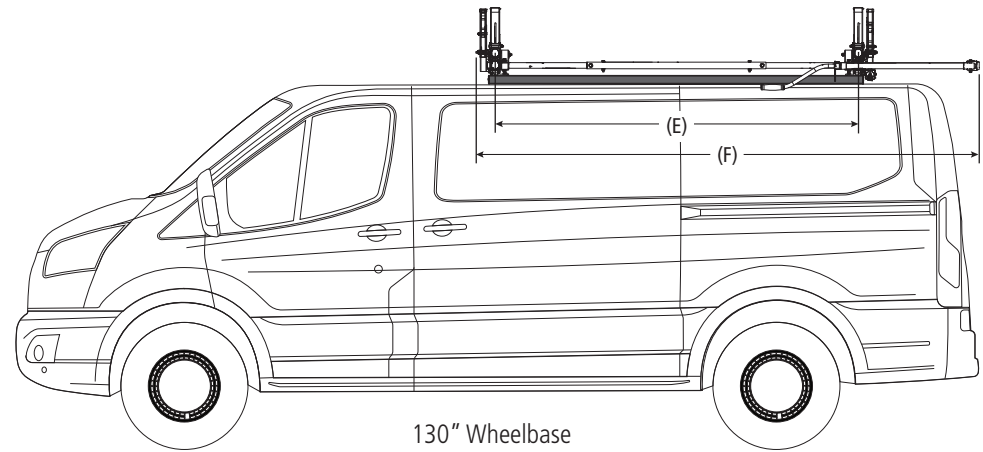


All Wheelbases

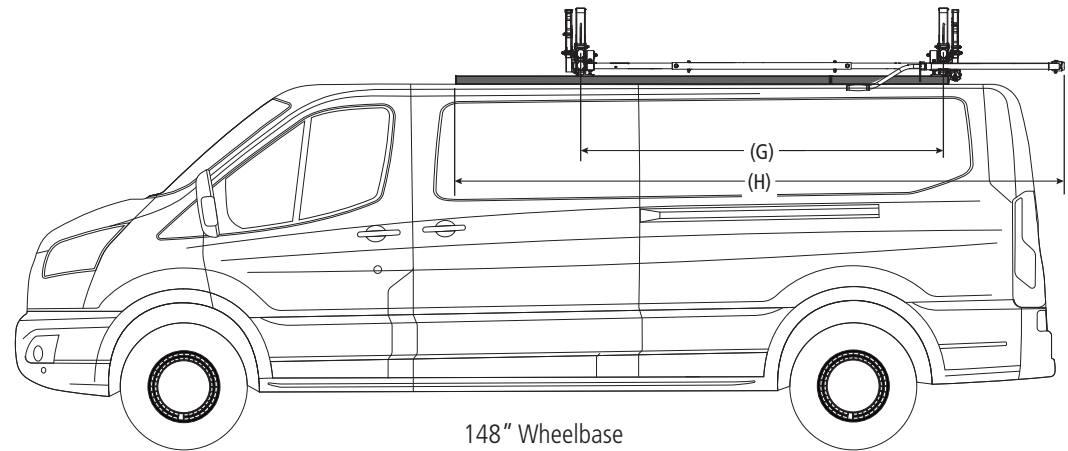


Rear Drive Shaft Offset: 24"

Note: The end of the driveshaft must not extend beyond the vehicle bumper



130" Wheelbase



148" Wheelbase