

## VCR-FT-M

### ErgoRack, Ford Transit Low Roof

Two Crossbars, Powder Coat Finish  
Rack Weight (empty): 90 lbs

\*Callouts in this Configuration Overview indicate full module assemblies only.

For details on individual parts, please refer to the linked Module Overviews below.

- A: ..... [FEA-0008 Clamp Down Assembly](#)
- B: ..... [FBM-1017-BLK Mounting System](#)
- C: ..... [CBR-0005 Crossbar Assembly](#)
- D: ..... [FEA-0002 Rotation Assembly](#)
- E: ..... [FEA-0015 Rotation Driveshaft Feature](#)

[Modular Assembly Manuals](#)

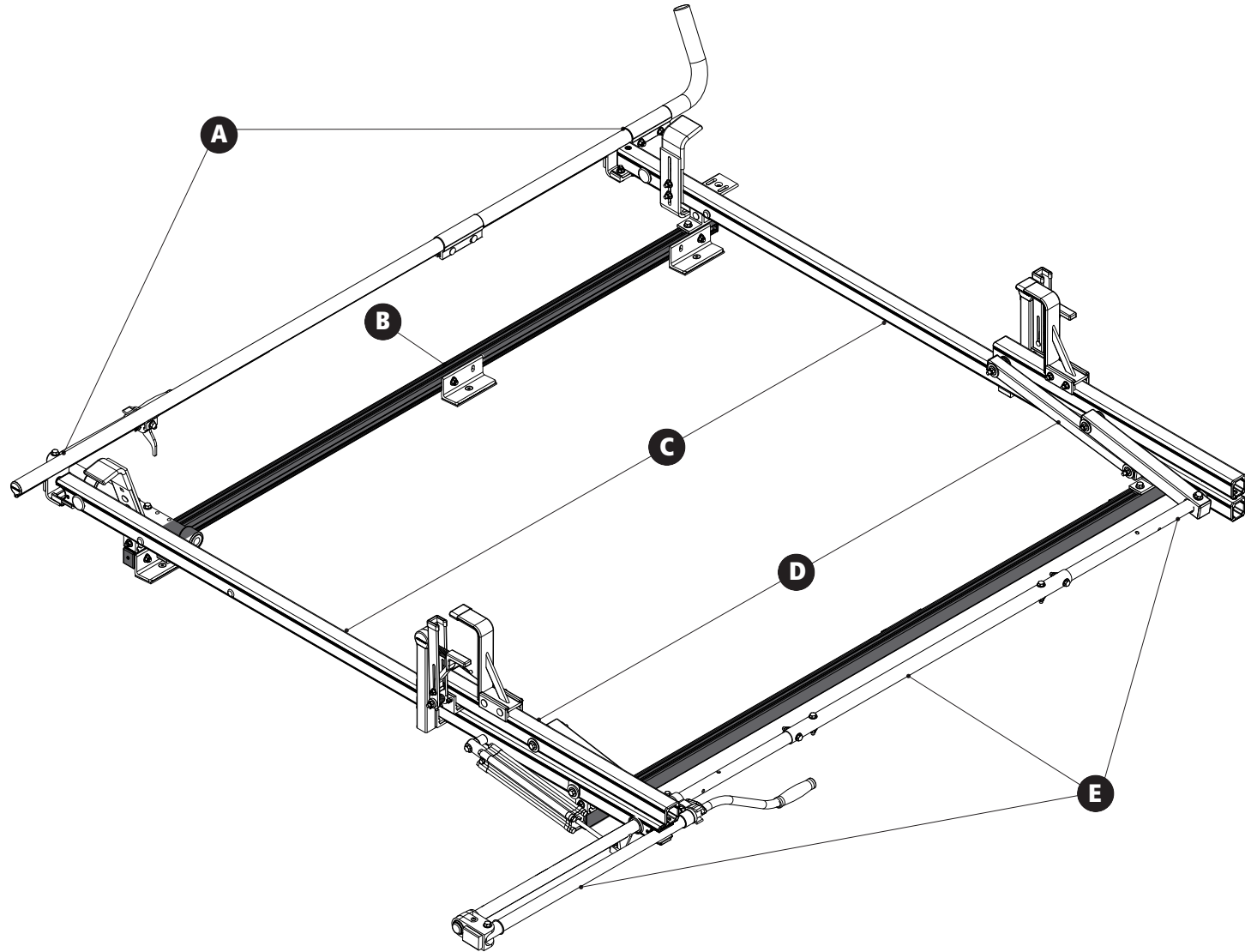
### ErgoRack Van—Load specifications:

Check vehicle manufacturer recommendations for roof capacity weight limits.

CROSSBAR SPACING	STEP LADDER	EXT. LADDER
4 ft Spacing	6 – 8 ft.	16 – 20 ft.
5 ft Spacing	8 – 10 ft.	16 – 24 ft.
6 ft Spacing	8 – 12 ft. <sup>†</sup>	16 – 28 ft.
7 ft Spacing	10 – 12 ft. <sup>†</sup>	20 – 32 ft.
8 ft Spacing	10 – 12 ft. <sup>†</sup>	20 – 36 ft.

<sup>†</sup>Rotation Configurations: 12 ft. step ladders require an extended upper add-on component.

\*Example shown with 130" Wheelbase Configuration



## VCR-FT-M

### ErgoRack, Ford Transit Low Roof

Approximate dimensions as shown:

#### All Wheelbases

A: Rack Width .....	82"
B: Rack Height .....	16"
C: Rear Crossbar Offset (Left).....	10.25"
D: Mount Bolt Spacing L/R.....	54"

#### 130" Wheelbase

E: Total Crossbar Spacing.....	6'
F: Rack Length .....	109"

#### 148" Wheelbase

G: Total Crossbar Spacing .....	*6'
H: Rack Length.....	121"

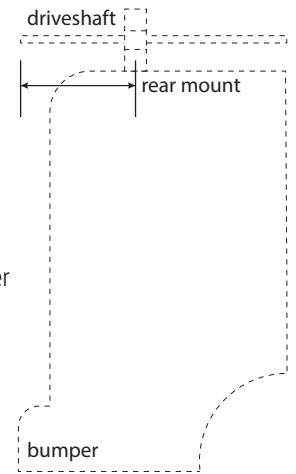
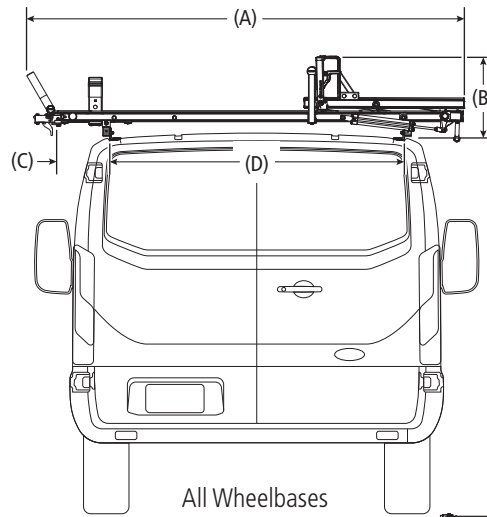
\* Optional 5' Connecting Bar Feature, [FEA-0022](#) is required per Rotation side-to extend Crossbar distance beyond 6' (8' max). Please Contact Prime Design Customer Service.

- 3' Connecting Bar (Included in current configuration)
- 5' Connecting Bar (Sold separately)

#### Compatible Accessories Available

(Sold Separately)

- 5' Rotation Connecting Bar ..... [FEA-0022](#)
- Rear Access Ladder.....[AAL Series](#)
- 8'–12' Conduit Carriers.....[CON Series](#)
- WorkPro LED Lighting.....[LED Series](#)
- Systems and Safety Components .....[RVS Series](#)
- Safety monitoring.....[DS2 Series](#)



Rear Drive Shaft Offset: 24"

Note: The end of the driveshaft must not extend beyond the vehicle bumper

