

## VCC-FES-M

### ErgoRack, Ford E-Series

Two Crossbars, Powder Coat Finish  
Rack Weight (empty): 68 lbs

\*Callouts in this Configuration Overview indicate full module assemblies only.

For details on individual parts, please refer to the linked Module Overviews below.

- A: ..... [FEA-0008 Clamp Down Assembly \(x2\)](#)
- B: ..... [CBR-0003 Crossbar Assembly](#)
- C: ..... [FBM-1068-BLK Mounting System](#)

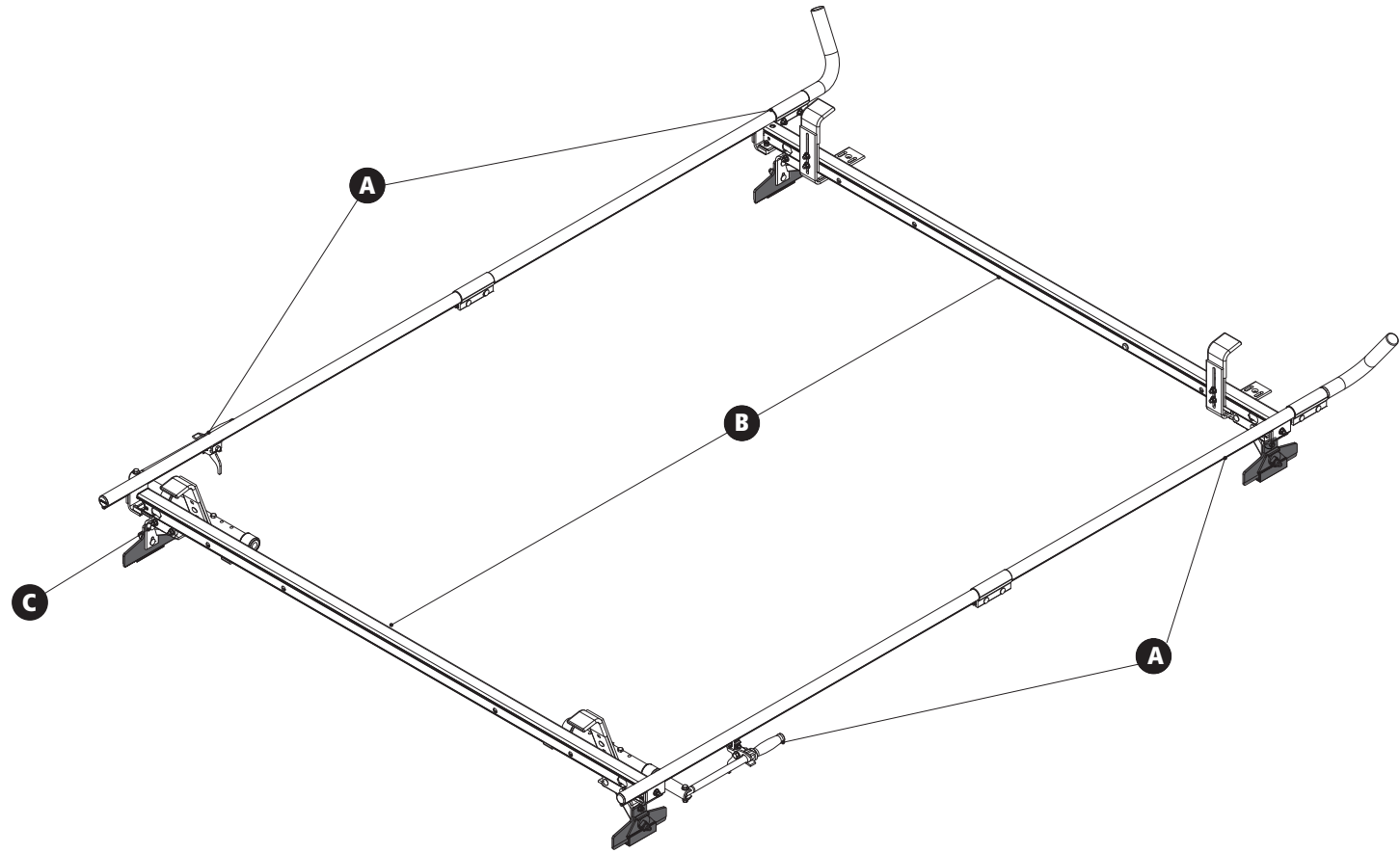
[Modular Assembly Manuals](#)

### ErgoRack Van—Load specifications:

Check vehicle manufacturer recommendations for roof capacity weight limits.

CROSSBAR SPACING	STEP LADDER	EXT. LADDER
4 ft Spacing	6 – 8 ft.	16 – 20 ft.
5 ft Spacing	8 – 10 ft.	16 – 24 ft.
6 ft Spacing	8 – 12 ft. <sup>†</sup>	16 – 28 ft.
7 ft Spacing	10 – 12 ft. <sup>†</sup>	20 – 32 ft.
8 ft Spacing	10 – 12 ft. <sup>†</sup>	20 – 36 ft.

<sup>†</sup>Rotation Configurations: 12 ft. step ladders require an extended upper add-on component.

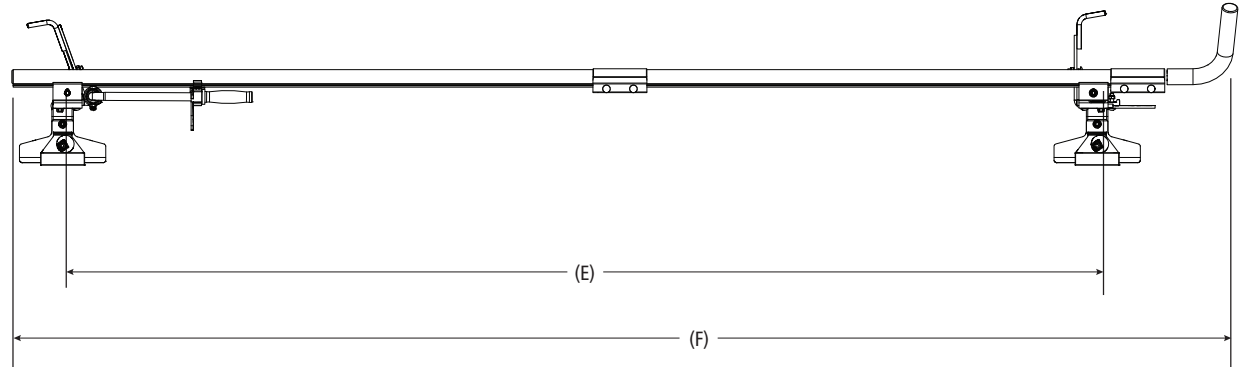
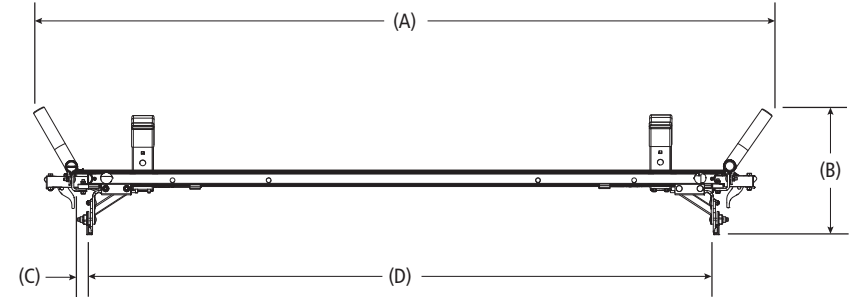
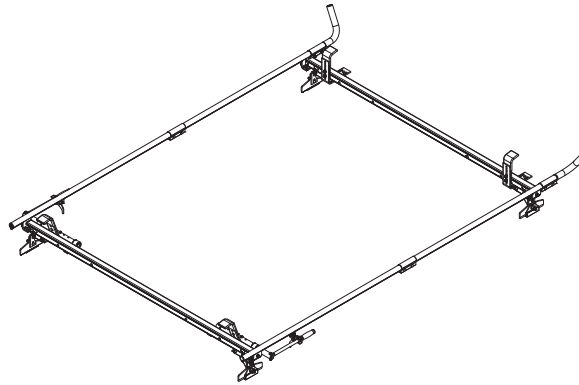


## VCC-FES-M

### ErgoRack, Ford E-Series

Approximate dimensions as shown:

- A: Rack Width ..... 82"
- B: Rack Height ..... 15"
- C: Rear Crossbar Offset (Left)..... Even
- D: Mount Bolt Spacing L/R..... Variable
- E: Total Crossbar Spacing..... 8'
- F: Rack Length ..... 113"



### Compatible Accessories Available (Sold Separately)

- 8'–12' Conduit Carriers.....[CON Series](#)
- WorkPro LED Lighting.....[LED Series](#)
- Systems and Safety Components .....[RVS Series](#)
- Safety monitoring.....[DS2 Series](#)