

PRIME DESIGN™

A Safe Fleet Brand

VBR-CV-FLTM

ErgoRack, Ford E-Series

Two Crossbars, Powder Coat Finish
Rack Weight (empty): 56 lbs

For details on individual parts, please refer to individual files.

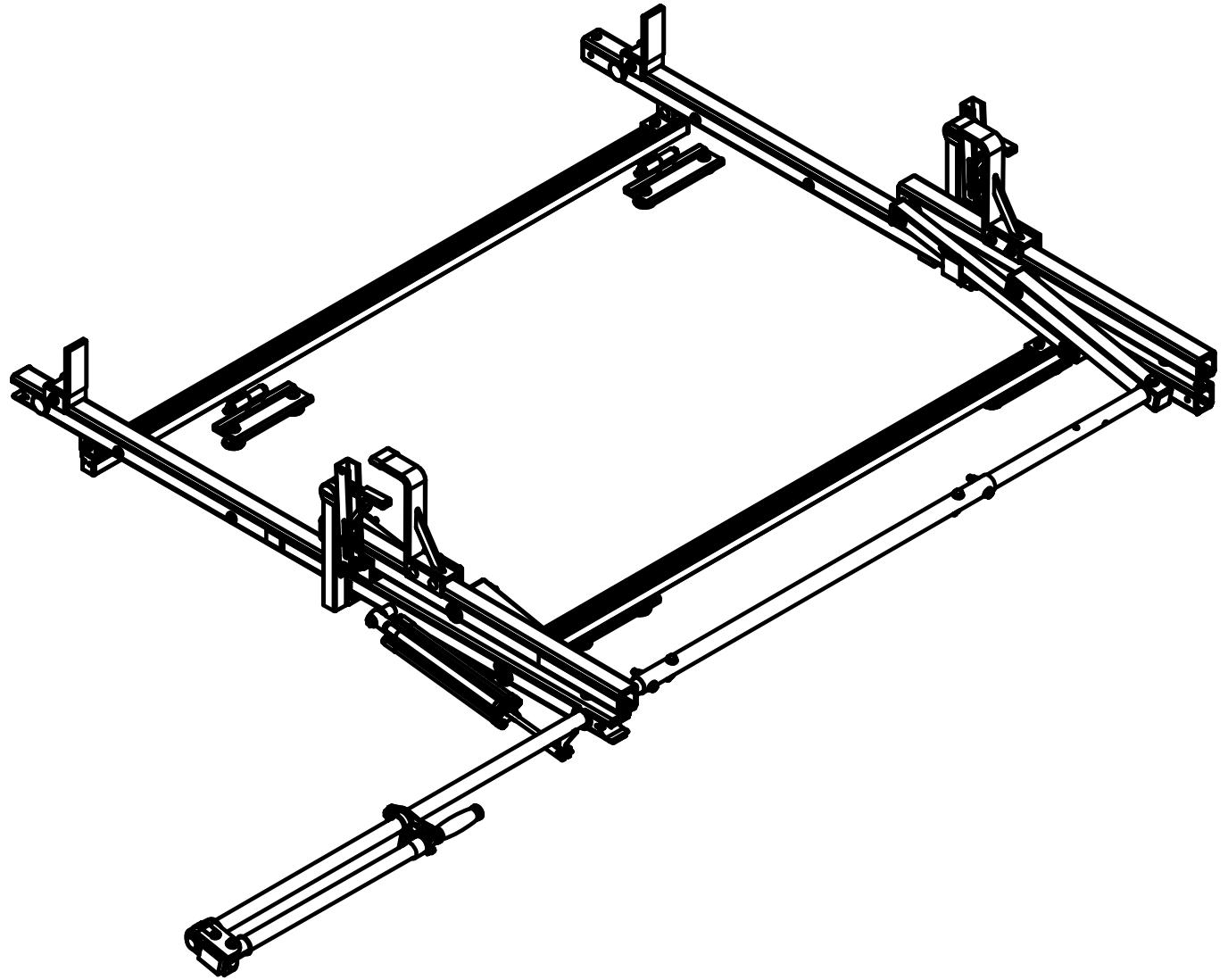
ITEM	ITEM NUMBER	QTY.
1	CBR-0001	1
2	FEA-0002	1
3	FEA-0001	1
4	FEA-0114	1
5	FBM-1070	1

ErgoRack Van—Load specifications:

Check vehicle manufacturer recommendations for roof capacity weight limits.

CROSSBAR SPACING	STEP LADDER	EXT. LADDER
4 ft Spacing	6 – 8 ft.	16 – 20 ft.
5 ft Spacing	8 – 10 ft.	16 – 24 ft.
6 ft Spacing	8 – 12 ft. ¹	16 – 28 ft.

¹Rotation Configurations: 12 ft. step ladders require an extended upper add-on component.

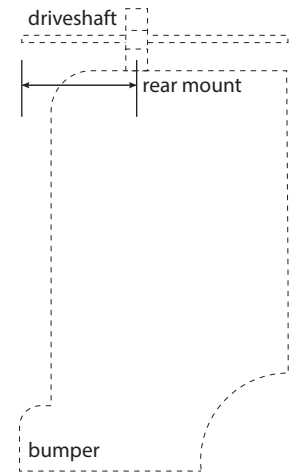
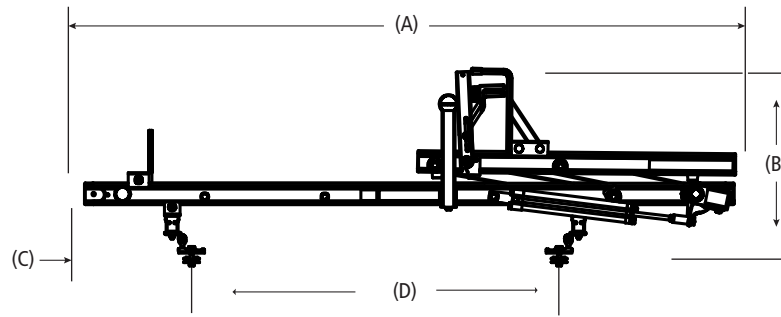


VBR-CV-FLTM

ErgoRack, RAM CV, Chrysler
Pacifica & Voyager

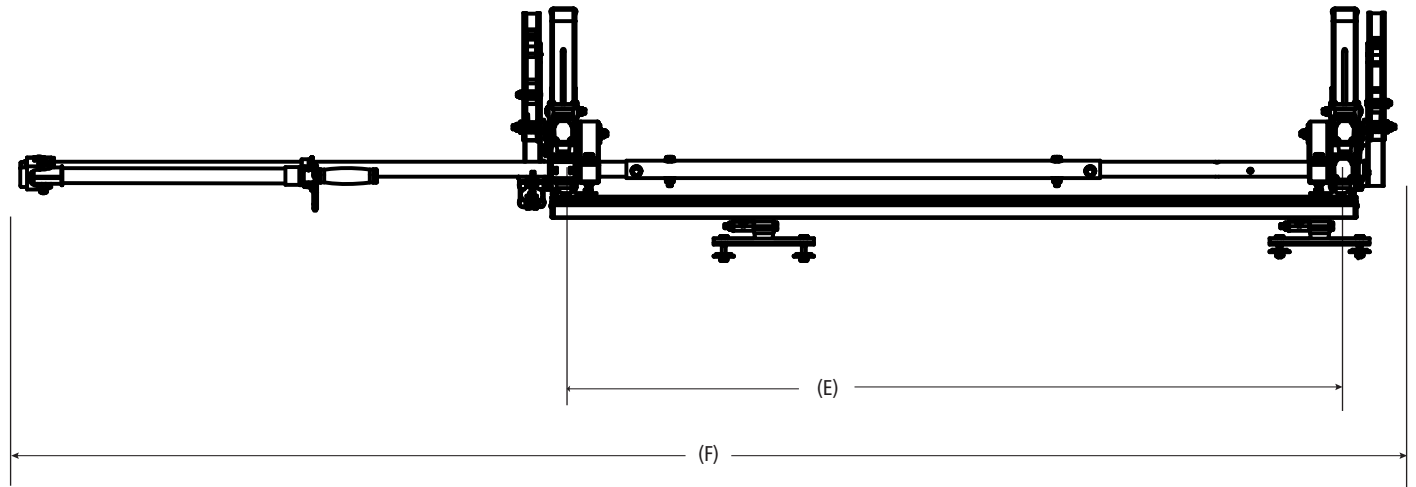
Approximate dimensions as shown:

- A: Rack Width 62"
- B: Rack Height 18"
- C: Rear Crossbar Offset (Left)..... Even
- D: Mount Bolt Spacing L/R..... Variable
- E: Total Crossbar Spacing..... 6'
- F: Rack Length 128"



Rear Drive Shaft Offset: 24"

Note: The end of the driveshaft must not extend beyond the vehicle bumper



Compatible Accessories Available
(Sold Separately)

- 8'–12' Conduit Carriers.....[CON Series](#)
- WorkPro LED Lighting.....[LED Series](#)
- Systems and Safety Components[RVS Series](#)