

PRIME DESIGN™

A Safe Fleet Brand

UXV-217

Vertical Utility Rack, Top Mount

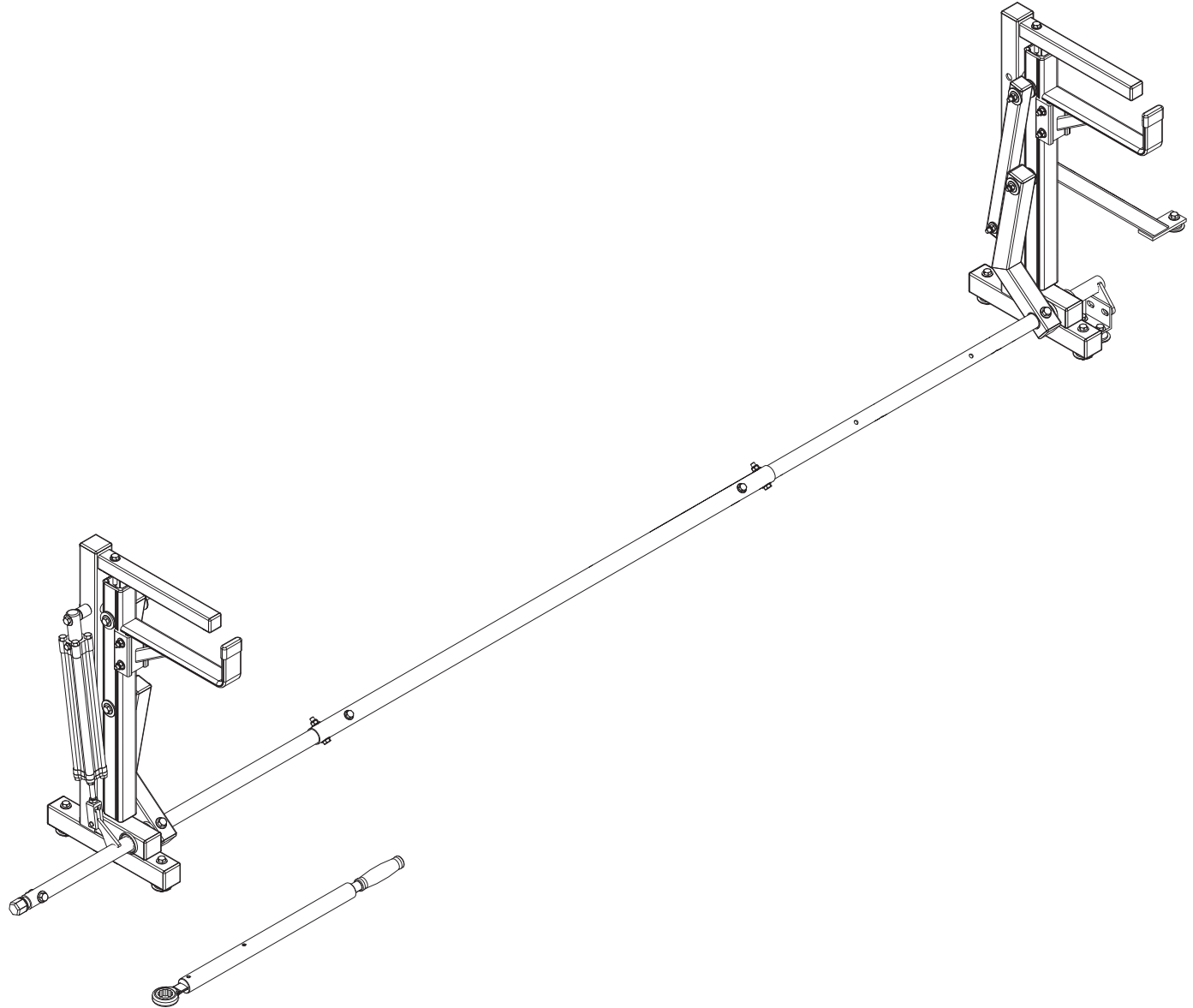
Dimensional Specifications on Page 2

Configuration as shown:

- Rotation Right
- Two Vertical Uprights
- ELR-8285 Ratcheting Removable Handle
- ELR-1467 Drive Shaft Lock Bracket
- Finish: White Powder Coat
- Overall Weight (empty): 42lbs

Load specifications as shown:

- Maximum Ladder Weight RH 105 lbs
- Maximum Ladder Length RH 32 ft
- Maximum Ladder Section RH..... 16 ft

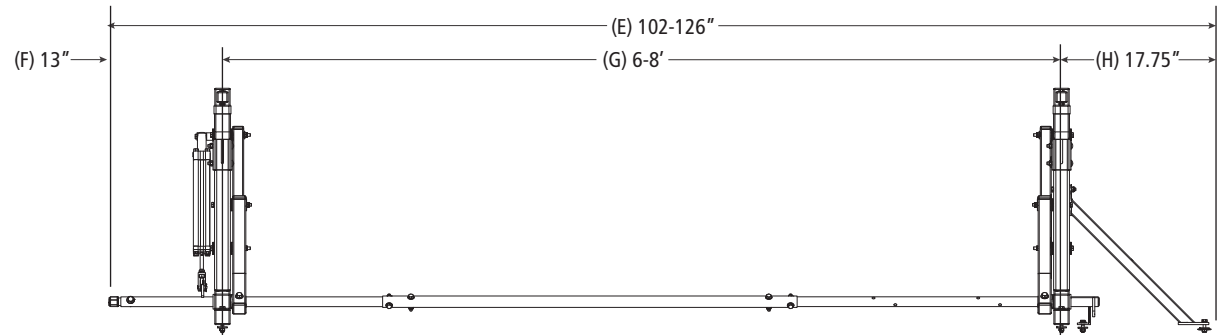
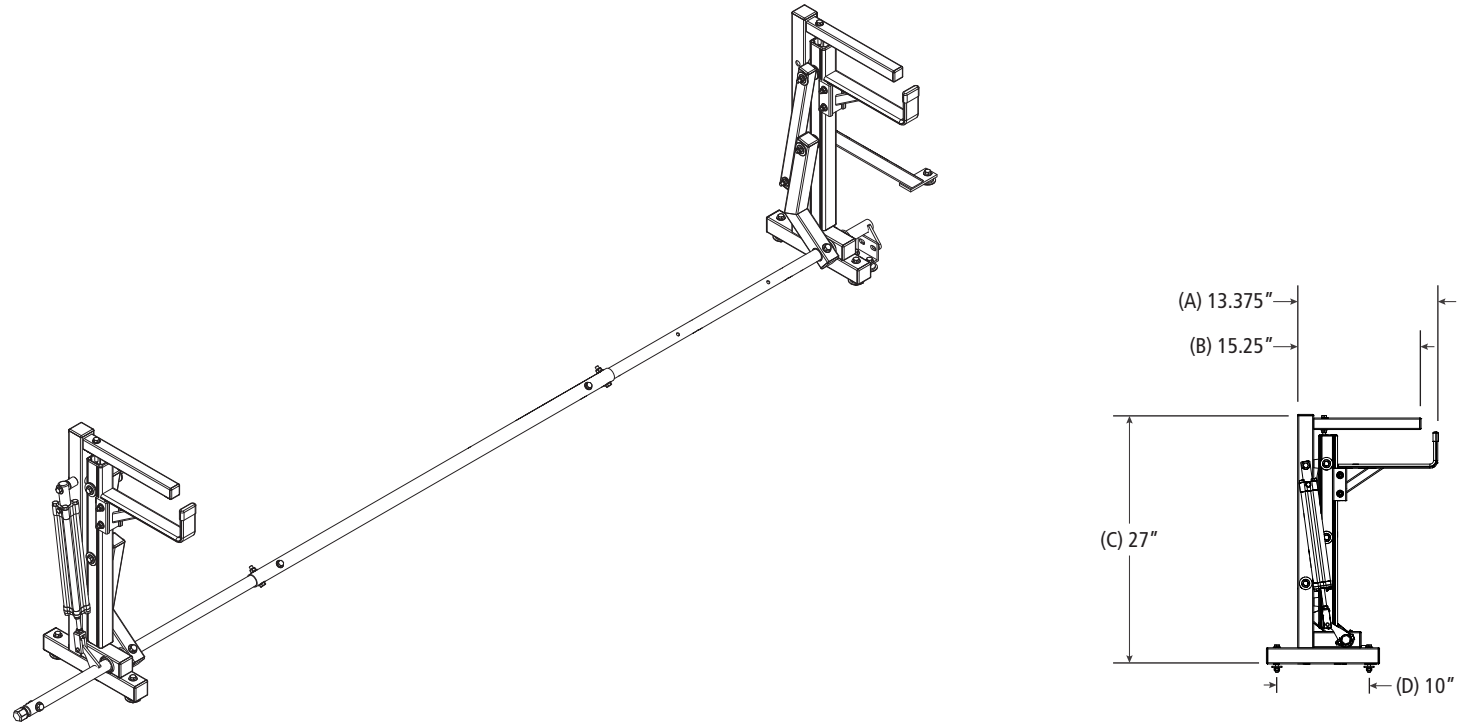


UXV-217

Vertical Utility Rack, Top Mount

Approximate dimensions as shown:

- A: Rack Width 13.375"
- B: Upper Post Width 15.25"
- C: Total Rack Height 27"
- D: Upright Mounting Bolt Spread 10"
- E: Rack Length 102"-126"
- F: Drive Shaft Offset 13"
- G: Upright Spacing 6-8'
- H: Mount Brace Offset 17.75"



Assembly Manual also available:

UXV-217

USOV-UXV217-US01 Rev-A 0121