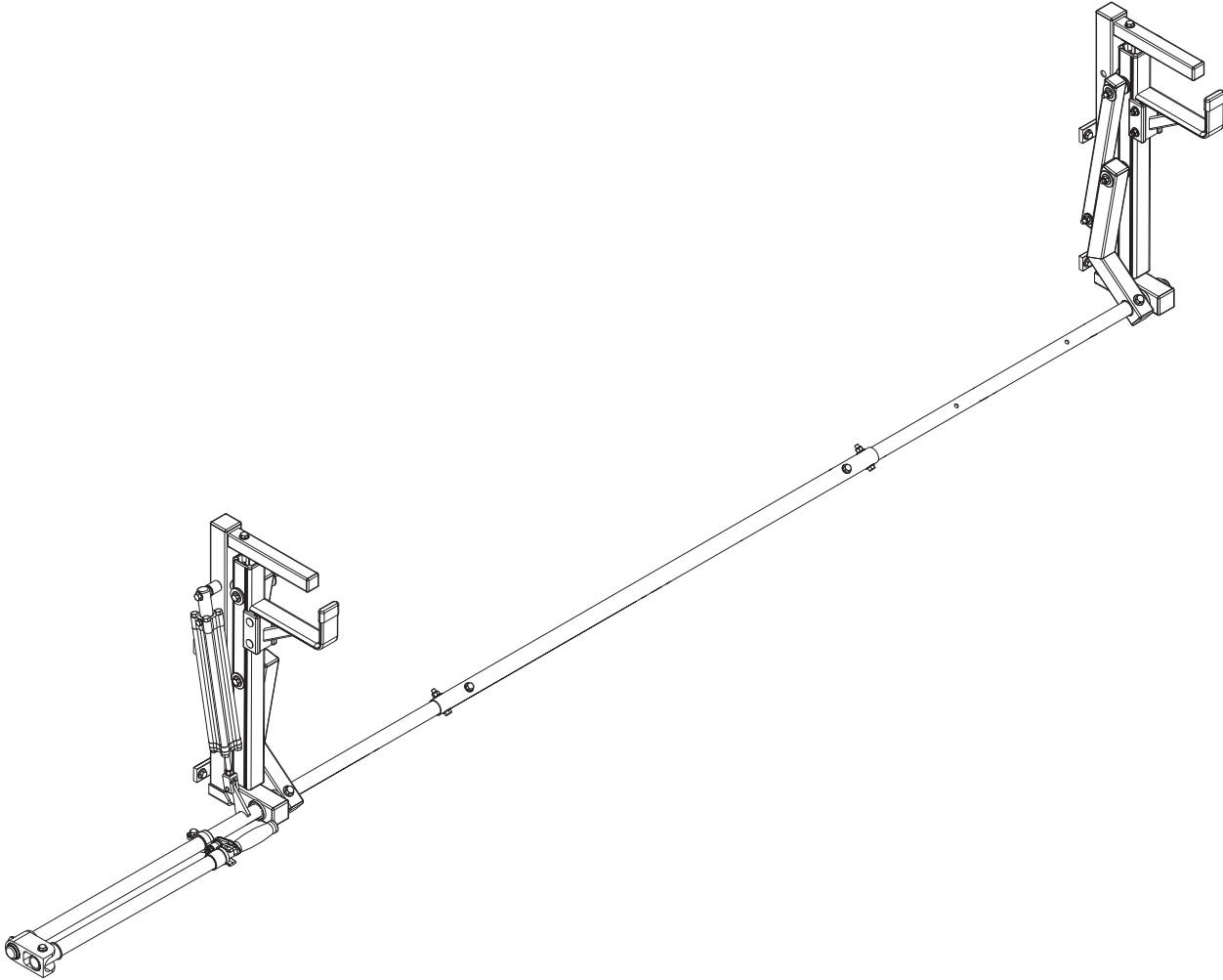
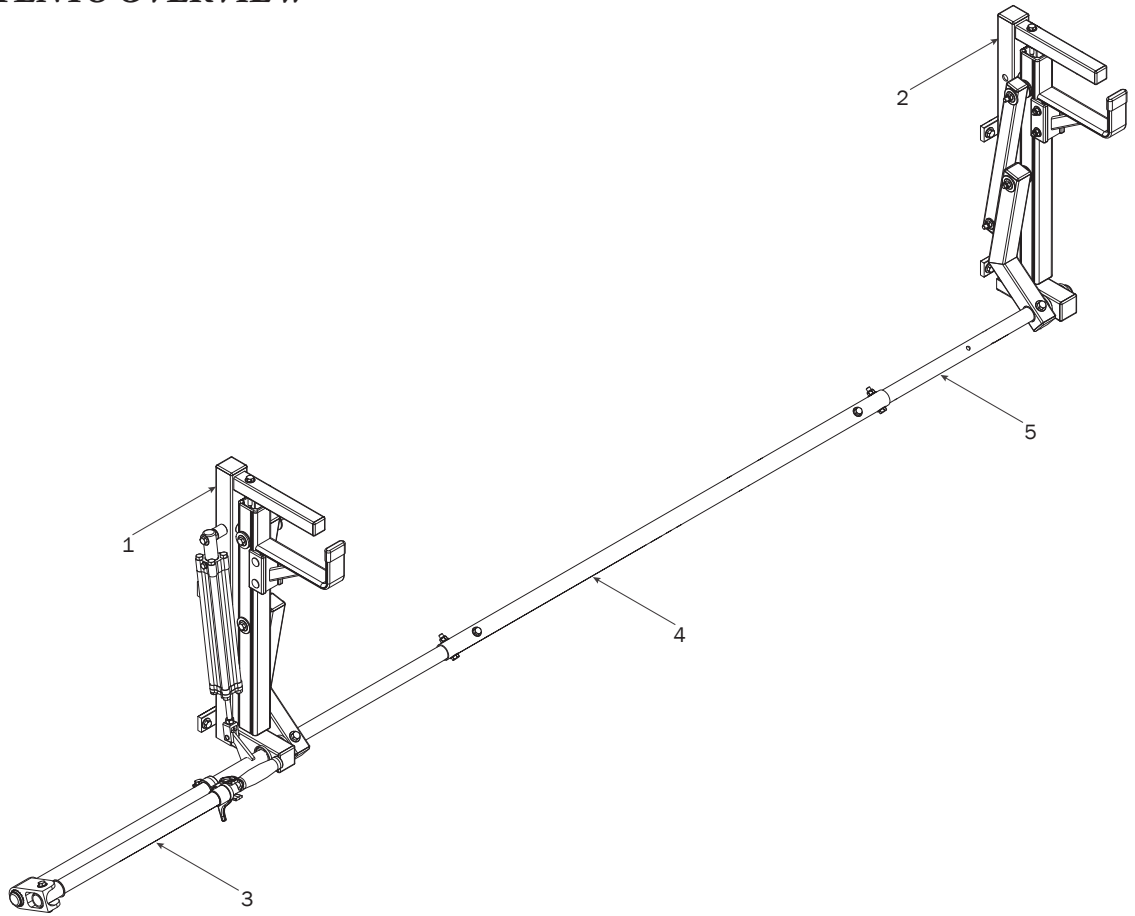


PRIME DESIGN™

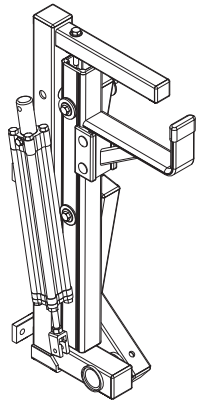
A Safe Fleet Brand



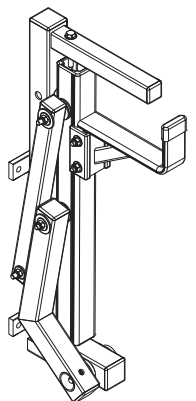
CONTENTS OVERVIEW



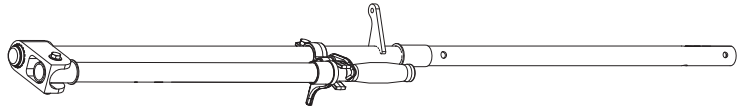
1—Rear Rotation Assembly..... (Qty 1)



2—Front Rotation Assembly..... (Qty 1)



3—Rear Drive Shaft..... (Qty 1)
Right Hand, 50.00"



4—Connecting Bar..... (Qty 1)
48.00"



5—Front Drive Shaft..... (Qty 1)
B Version, 35.75"



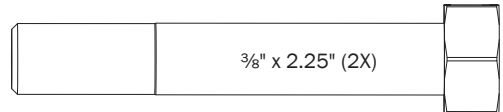
HKT-8163-Rotation Hardware Kit



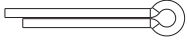
Clevis Pin (1X)



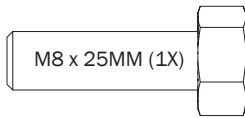
M8 x 50MM (4X)



3/8" x 2.25" (2X)



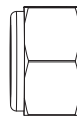
Cotter Pin (1X)



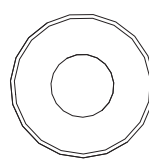
M8 x 25MM (1X)



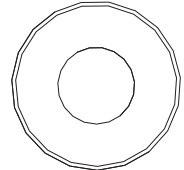
M8 Lock Nut (5X)



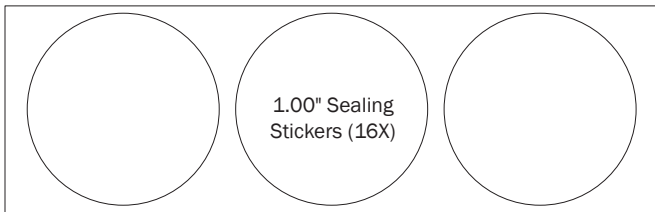
3/8" Lock Nut (2X)



5/16" Flat Washer (10X)



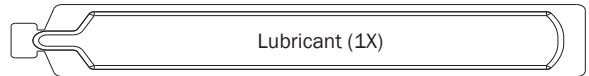
3/8" Flat Washer (4X)



1.00" Sealing Stickers (16X)

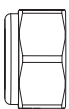


Anti-Seize (1X)

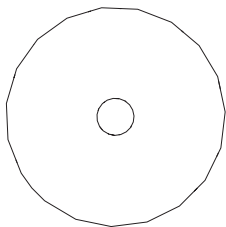


Lubricant (1X)

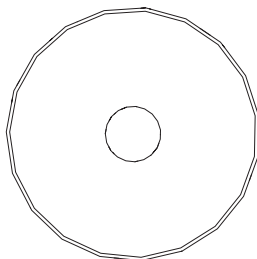
Mounting Hardware



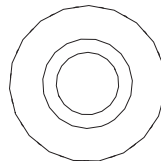
M8 Lock Nut (8X)



Neoprene Washer (8X)



Fender Washer (8X)



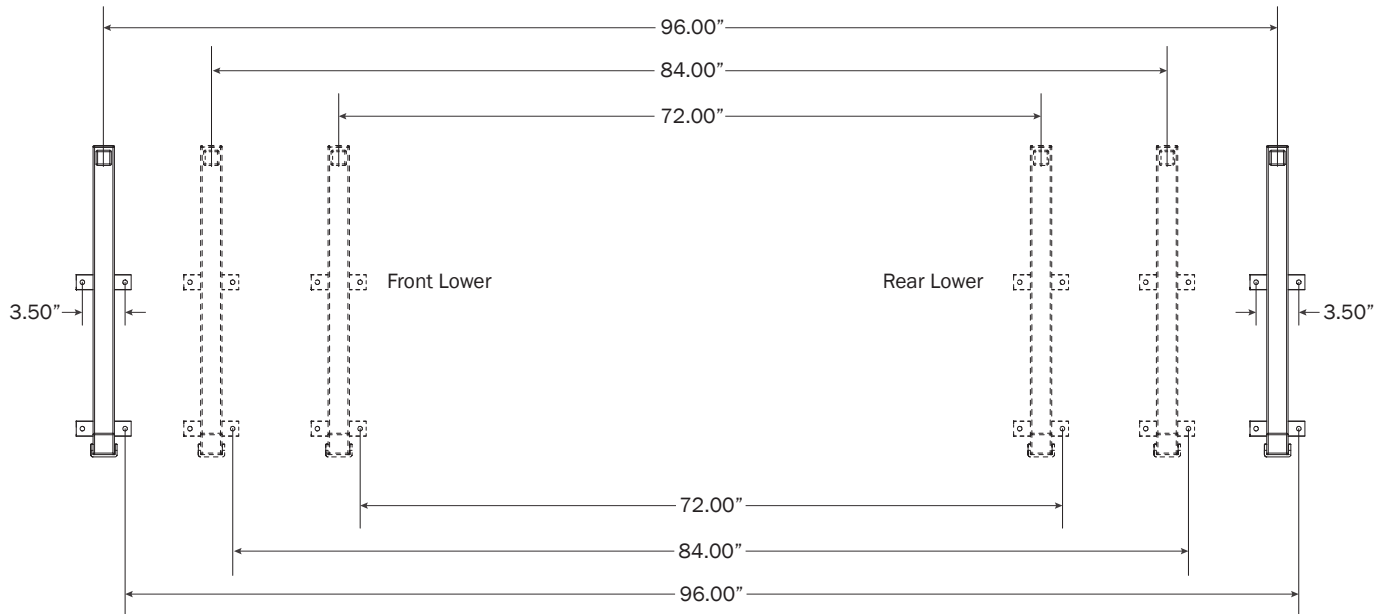
5/16" Seal Washer (8X)



M8 x 30MM (8X)

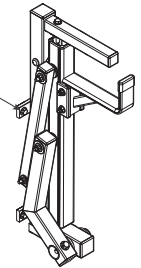
UTILITY BODY MOUNTING

0.1 6.00-8.00 Ft: Drill holes into the Service Body mounting location according to dimensions shown.



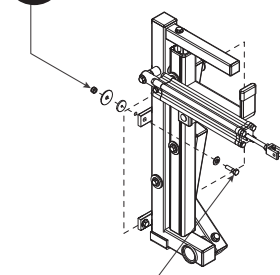
0.2 Position and align the vertical Uprights until the mounting holes realign to the body holes drilled during Steps 0.1.

0.3 Using the fastening hardware shown below, attach the vertical Uprights to the Utility Body. The Neoprene Washer, Fender Washer, and Locknut install from the inside of the Utility Body in the order shown, while the Bolt and Seal Washer install from the outside.

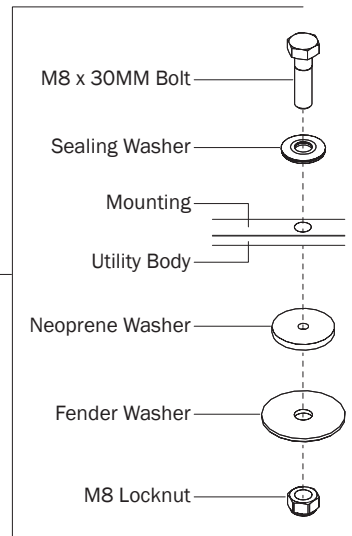


0.4 Torque to 90 in-lbs

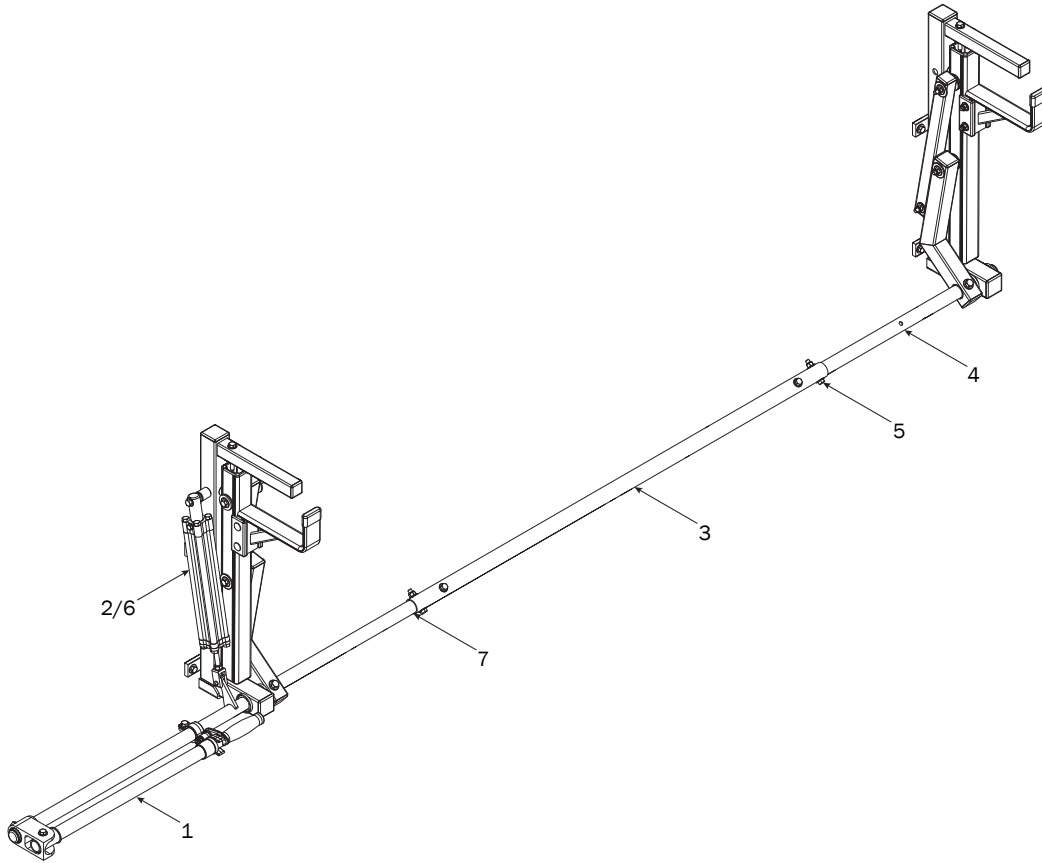
Anti-Seize
Must apply Anti-Seize Compound and torque to specified value.



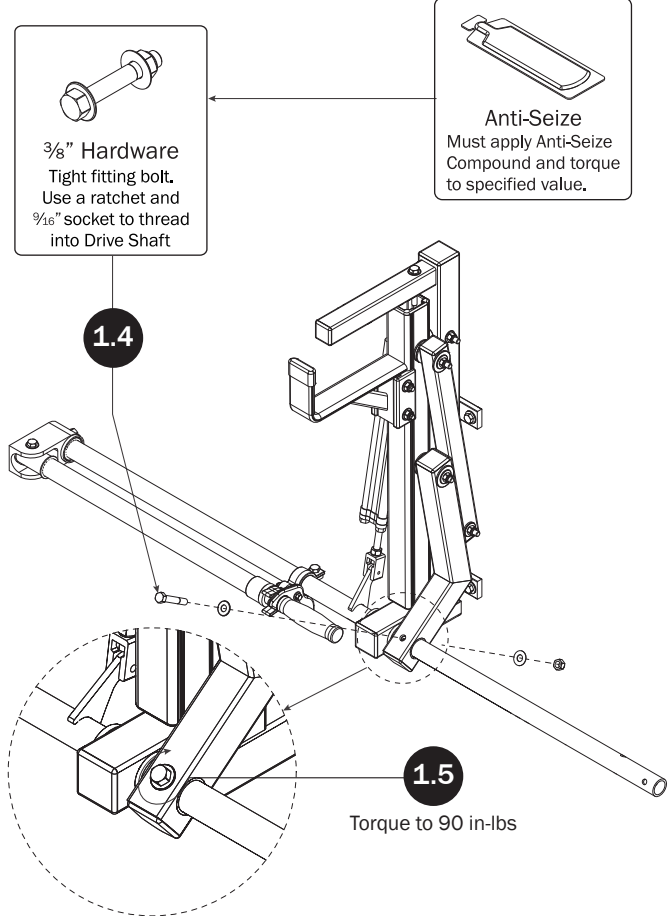
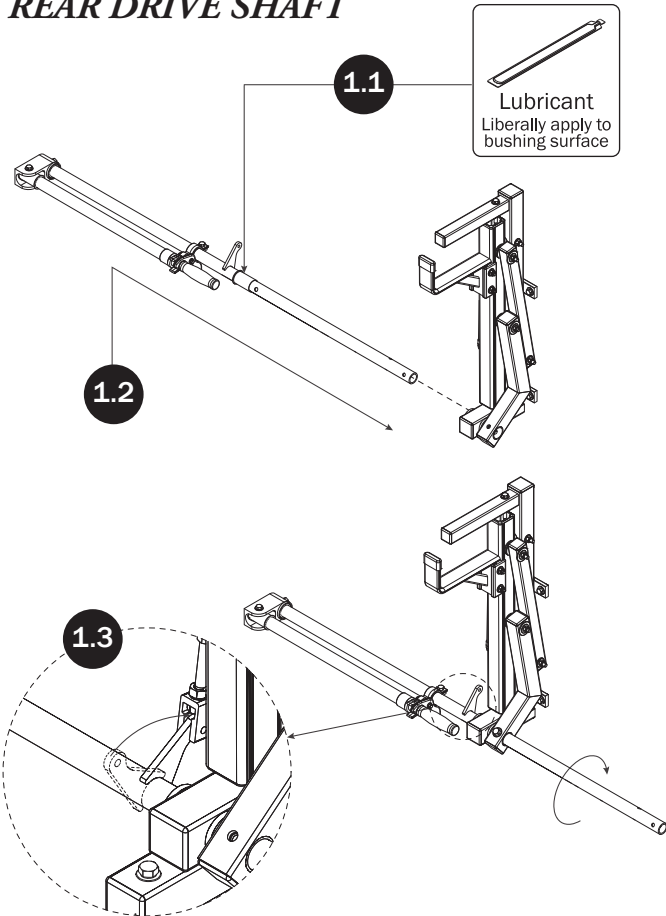
Mounting Hardware (8X)



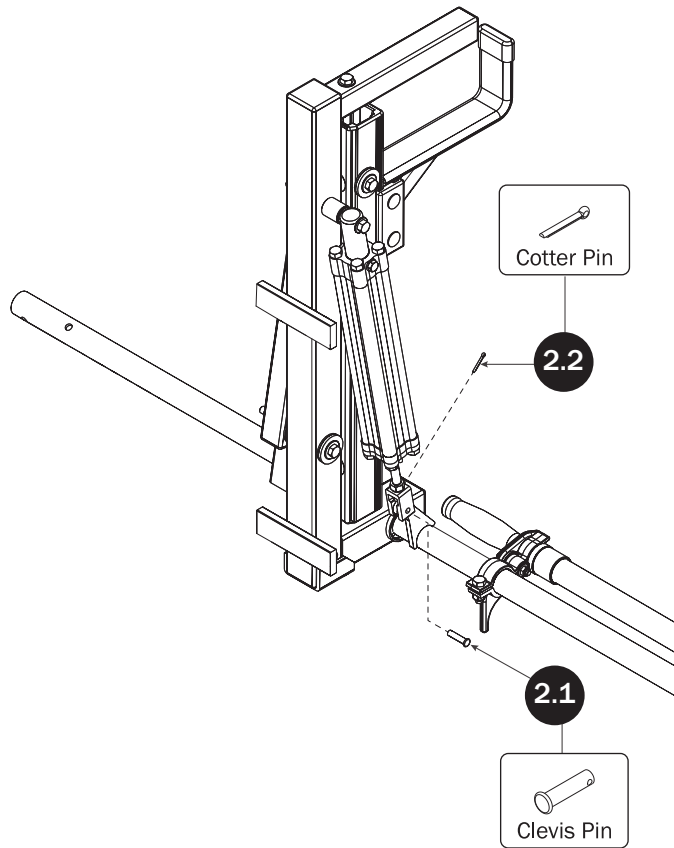
RIGHT ROTATION ASSEMBLY SEQUENCE



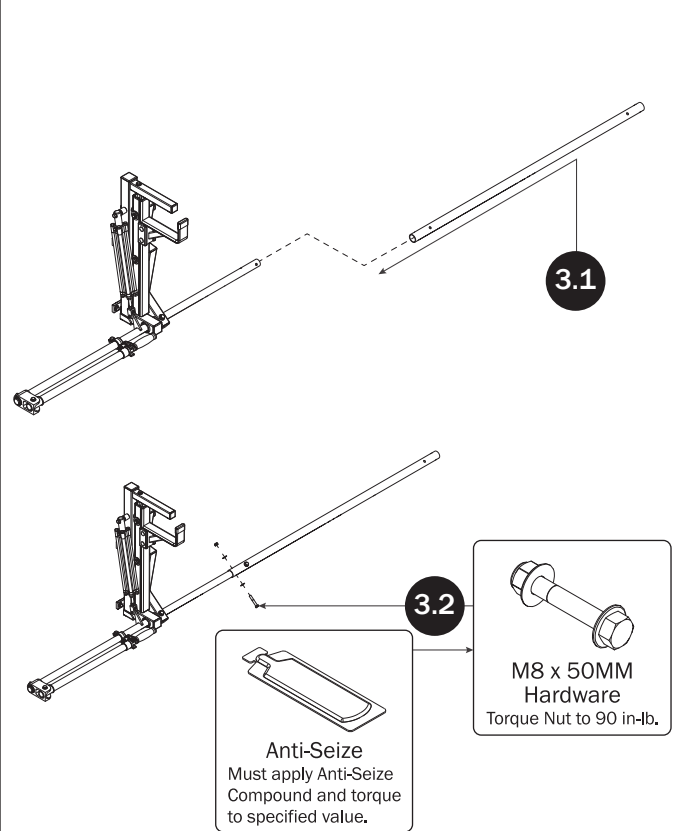
REAR DRIVE SHAFT



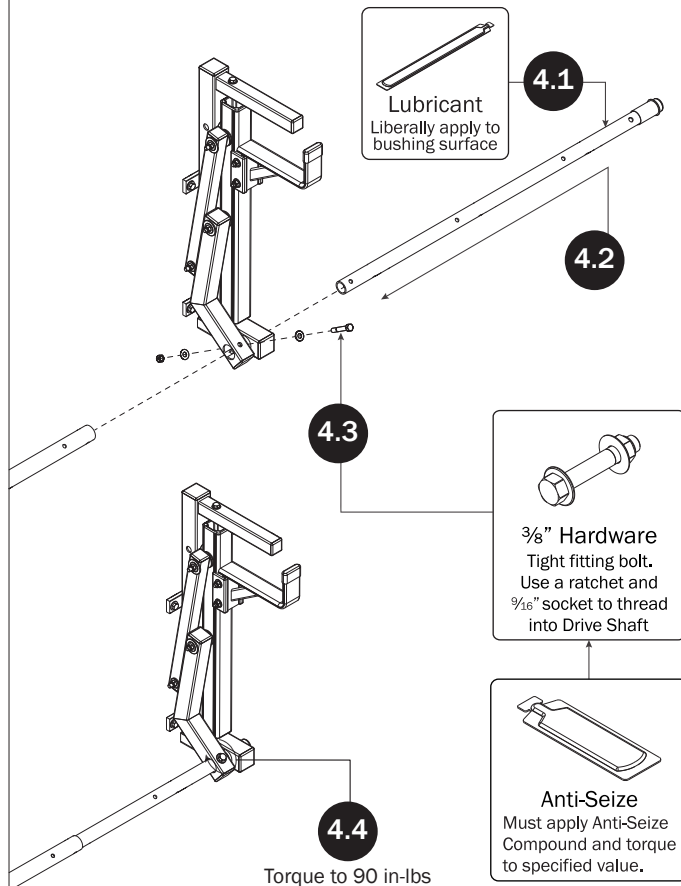
CYLINDER HARDWARE



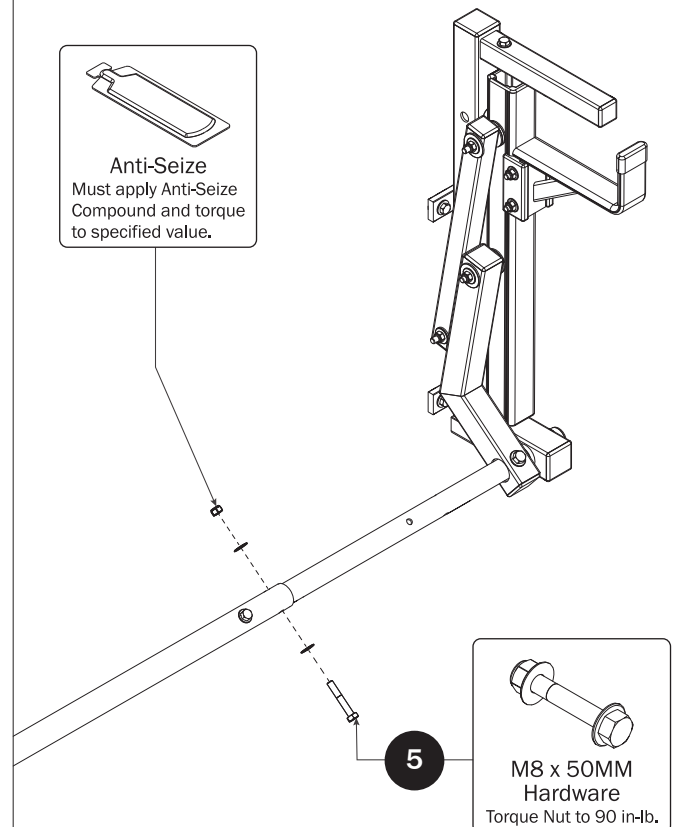
CONNECTING BAR



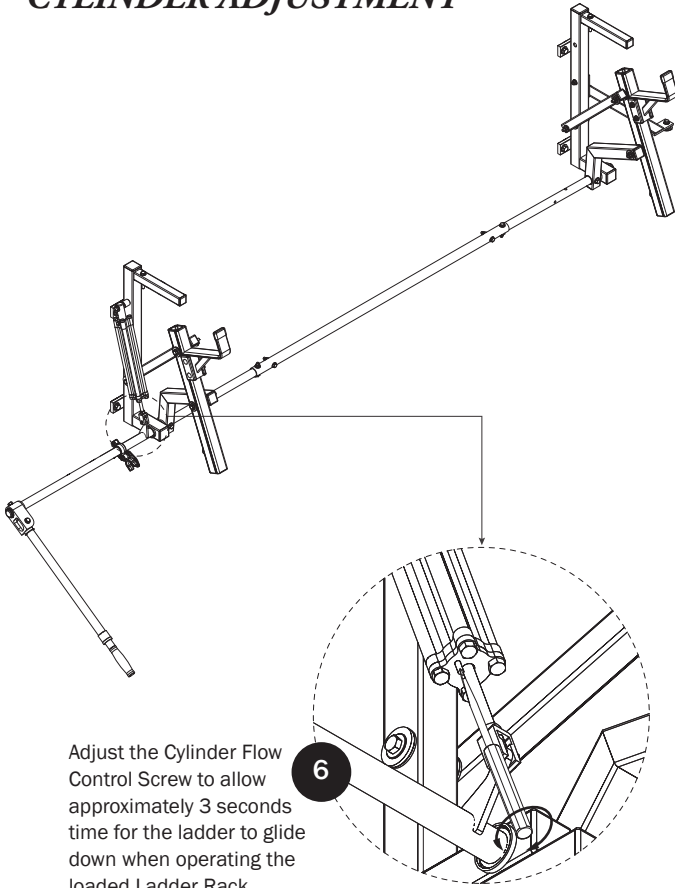
FRONT DRIVE SHAFT



CONNECTING BAR FASTENERS



CYLINDER ADJUSTMENT



DRIVE SHAFT SEALING

