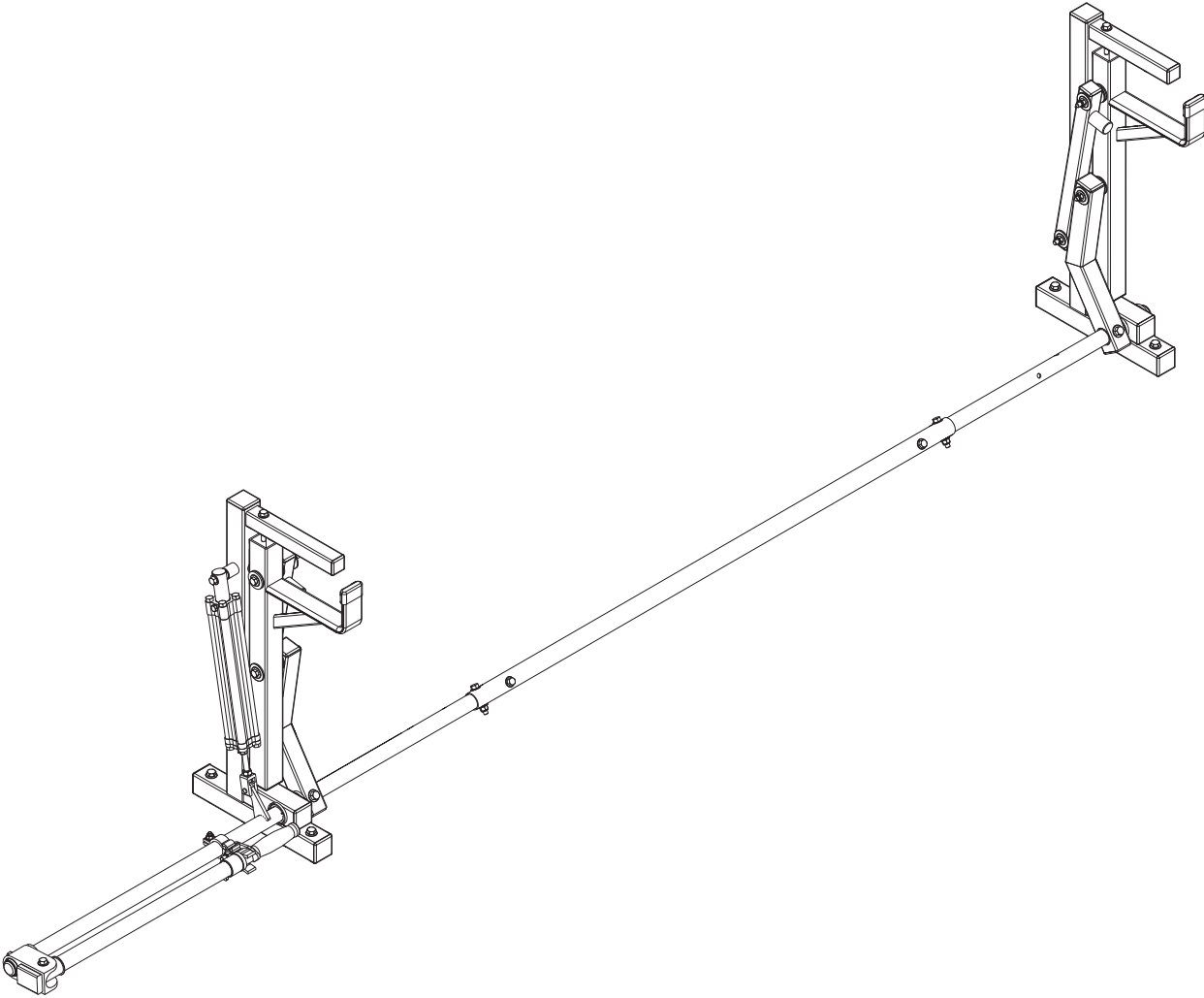


PRIME DESIGN™

A Safe Fleet Brand



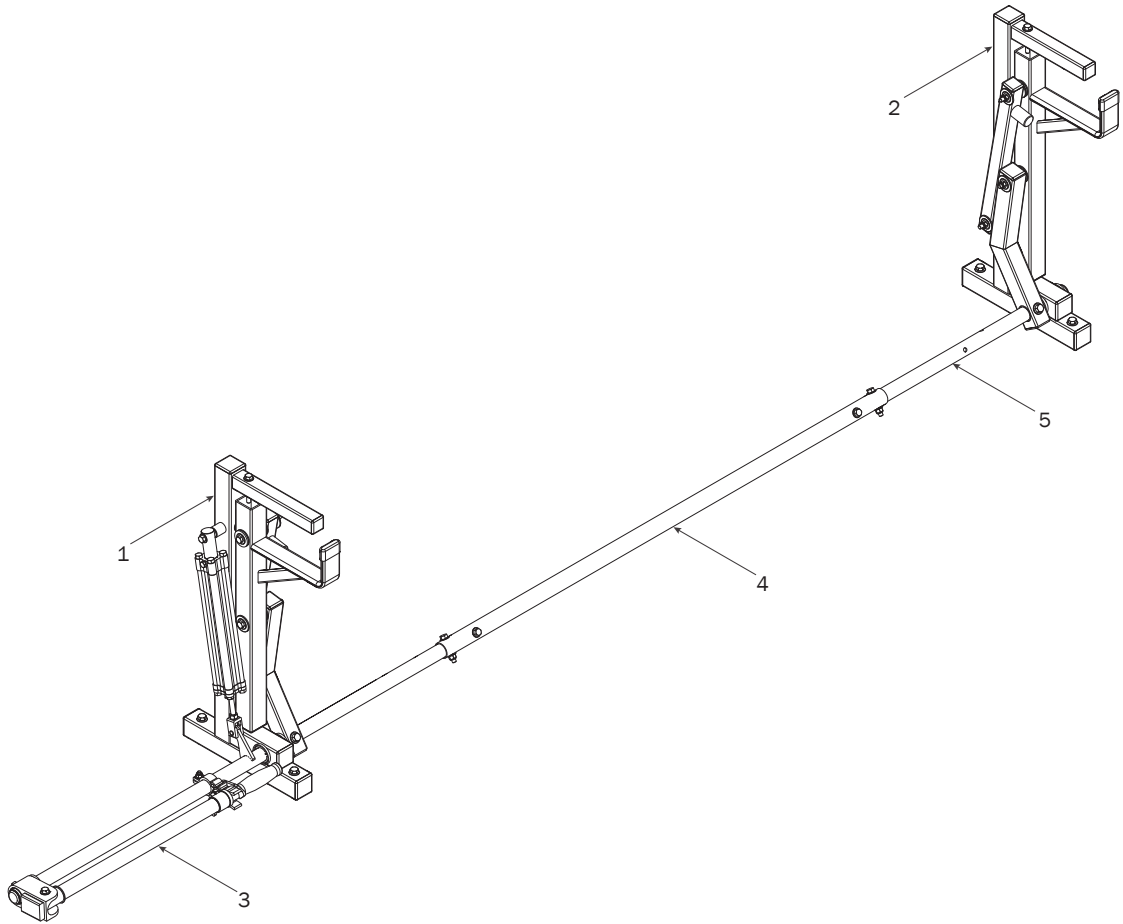
2016
UXR

PRIME DESIGN, A SAFE FLEET BRAND

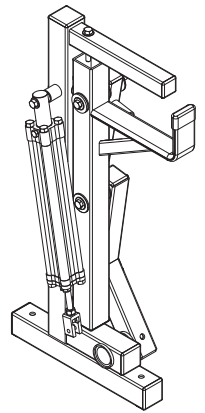
Address: 580 Opperman Drive, Eagan, MN 55123 • Toll Free: 1.8.PRIME.RACK

Fax: 651-552-1799 • Email: info@primedesign.net • Website: www.primedesign.net

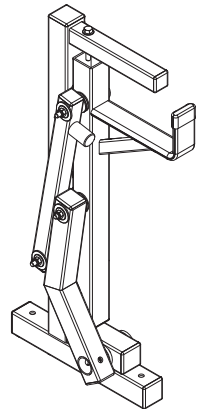
CONTENTS OVERVIEW



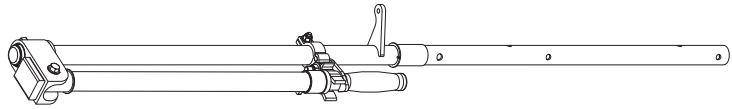
1—Rear Rotation Assembly..... (Qty 1)



2—Front Rotation Assembly..... (Qty 1)



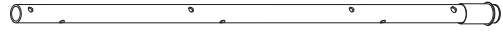
3—Rear Drive Shaft..... (Qty 1)
Left Hand, 50.00"



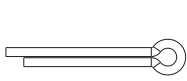
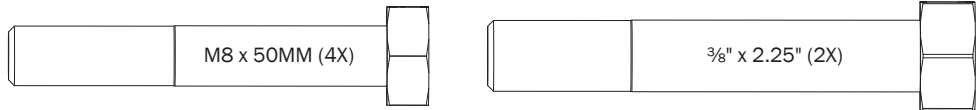
4—Connecting Bar..... (Qty 1)
48.00"



5—Front Drive Shaft..... (Qty 1)
B Version, 35.75"



HKT-8102-Rotation Hardware Kit



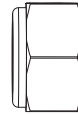
Cotter Pin (1X)



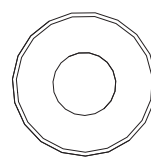
Clevis Pin (1X)



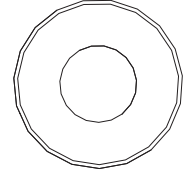
M8 Lock Nut (4X)



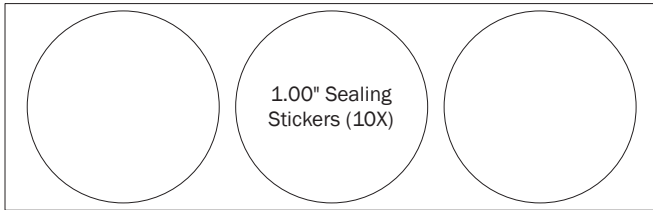
3/8" Lock Nut (2X)



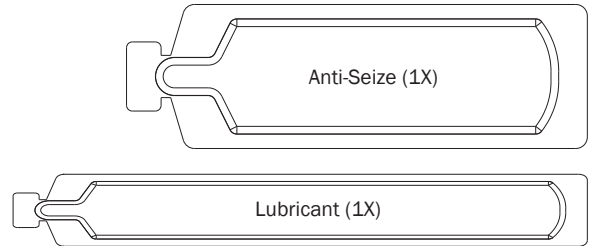
5/16" Flat Washer (8X)



3/8" Flat Washer (4X)



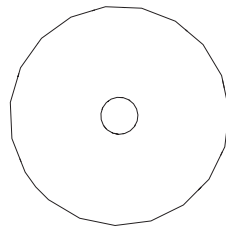
1.00" Sealing Stickers (10X)



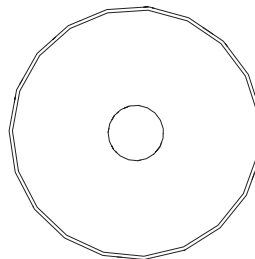
Anti-Seize (1X)

Lubricant (1X)

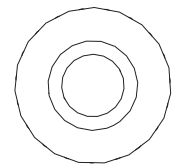
Mounting Hardware



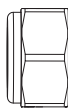
Neoprene Washer (4X)



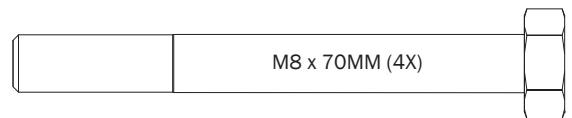
Fender Washer (4X)



5/16" Seal Washer (4X)



M8 Lock Nut (4X)



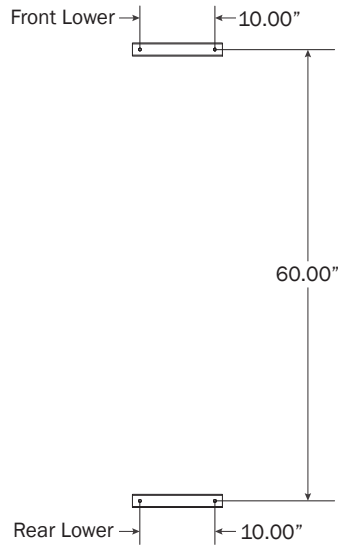
M8 x 70MM (4X)



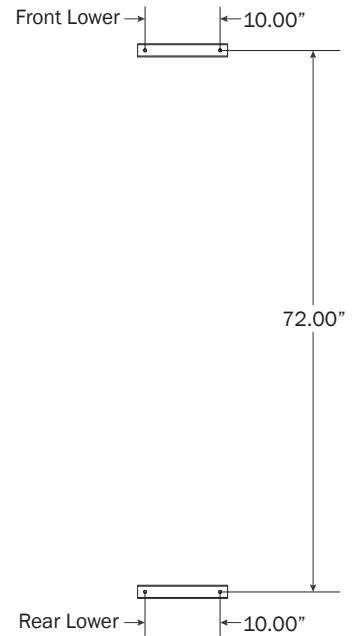
Anti-Seize (1X)

MOUNTING DIMENSIONS

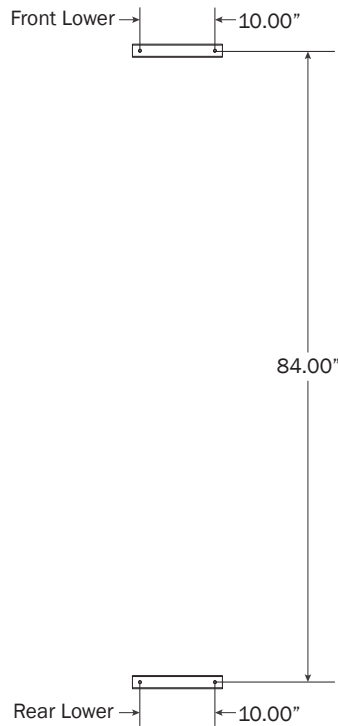
0.1 5.00 Ft: Drill holes into the Service Body mounting location according to dimensions shown.



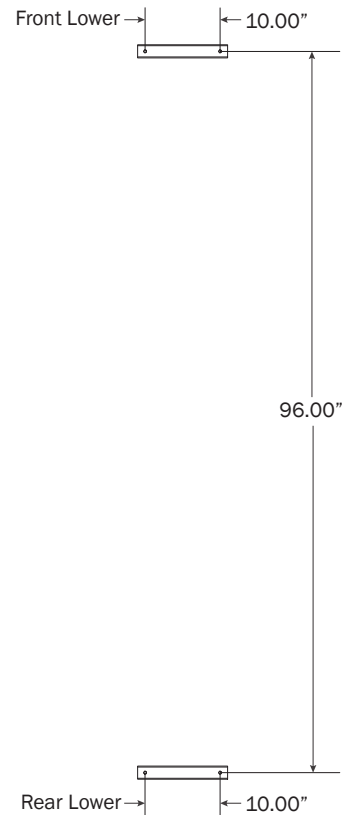
0.2 6.00 Ft: Drill holes into the Service Body mounting location according to dimensions shown.



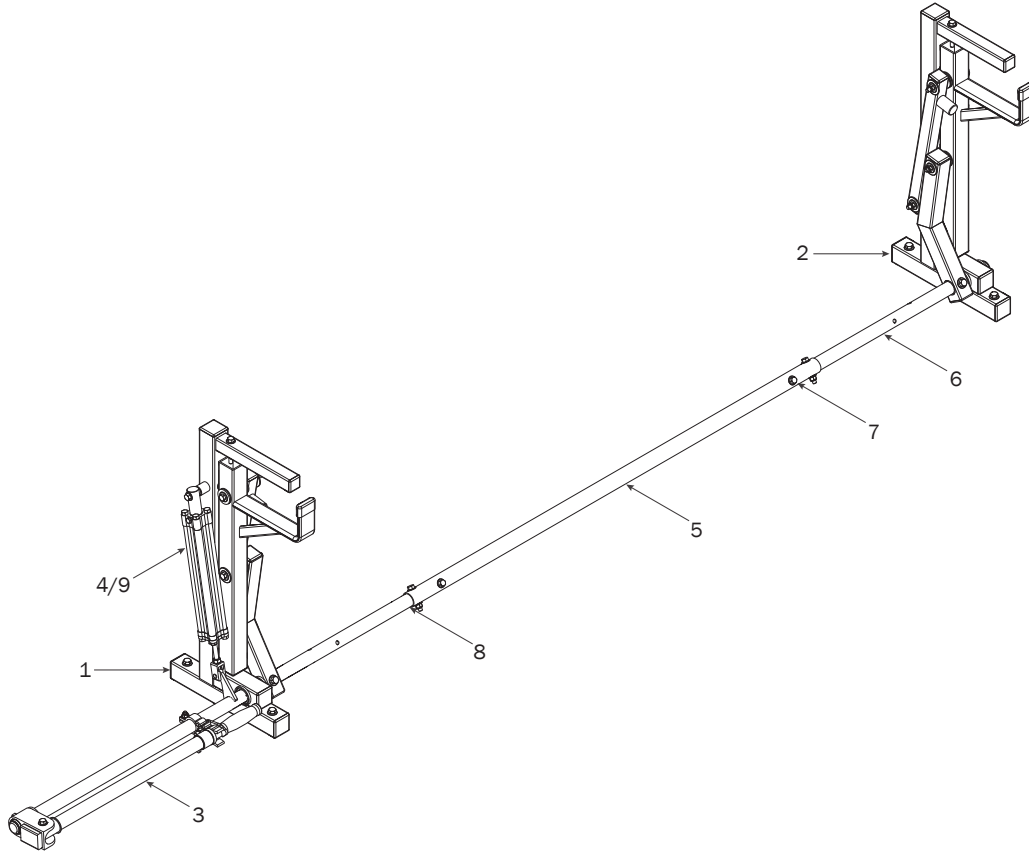
0.3 7.00 Ft: Drill holes into the Service Body mounting location according to dimensions shown.



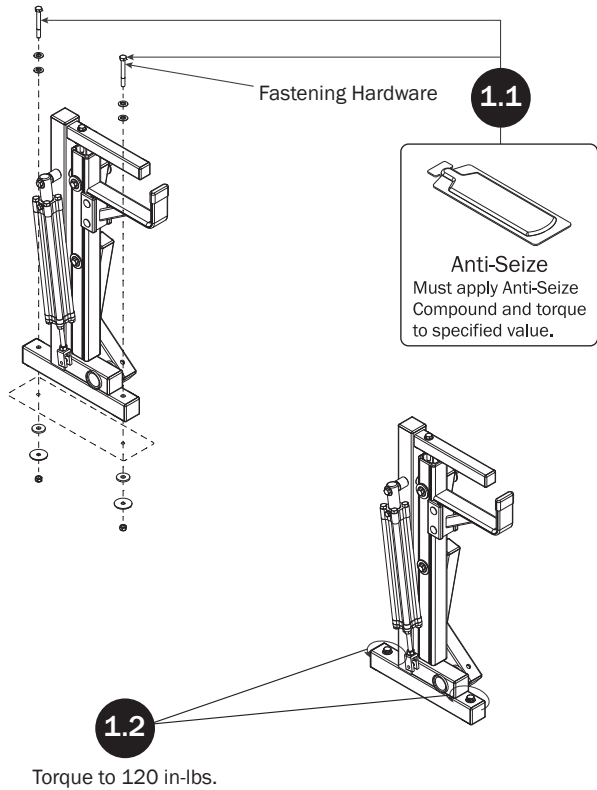
0.4 8.00 Ft: Drill holes into the Service Body mounting location according to dimensions shown.



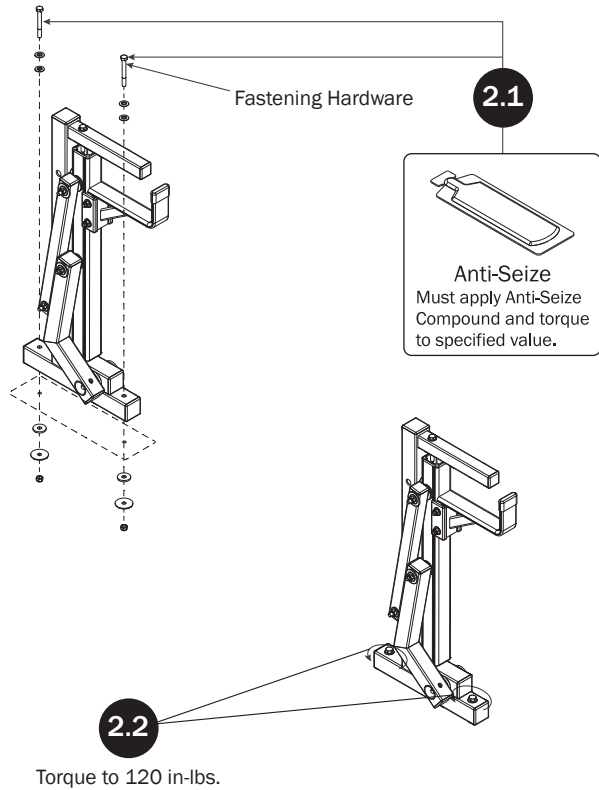
RIGHT ROTATION ASSEMBLY SEQUENCE



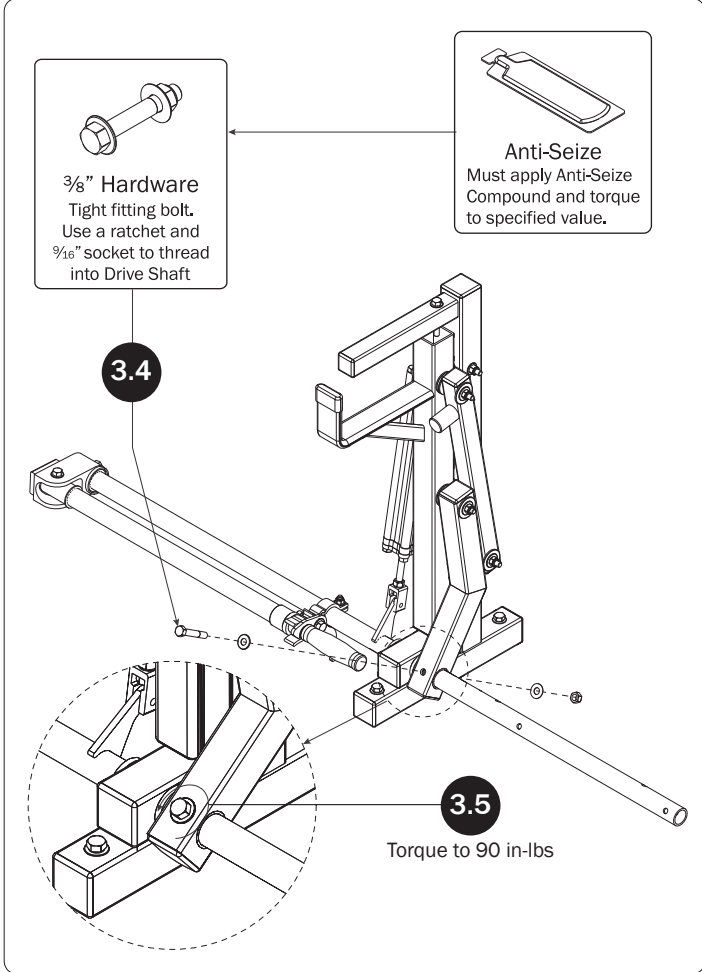
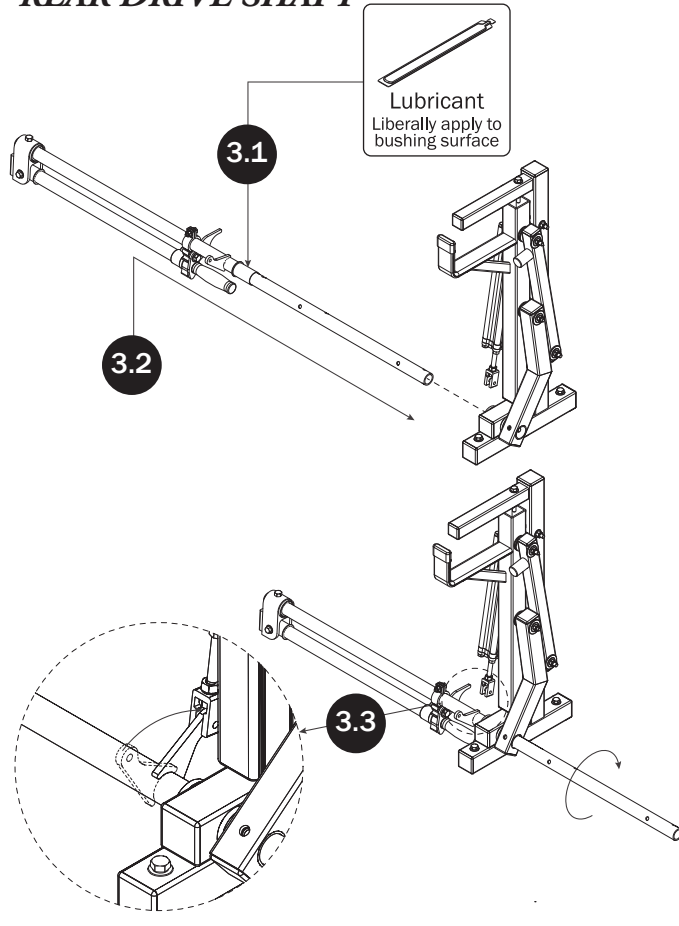
REAR ROTATION ASSEMBLY



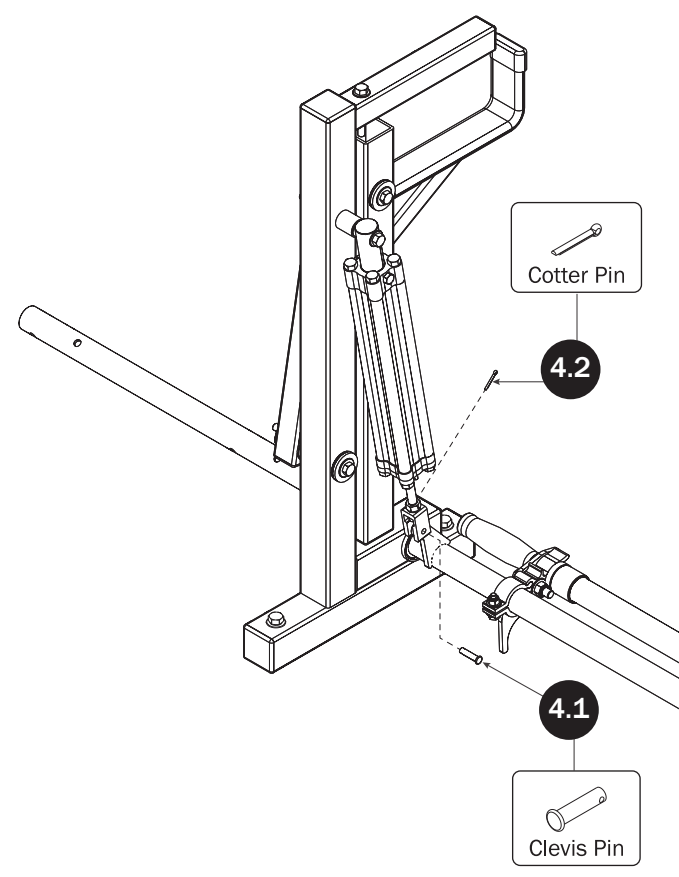
FRONT ROTATION ASSEMBLY



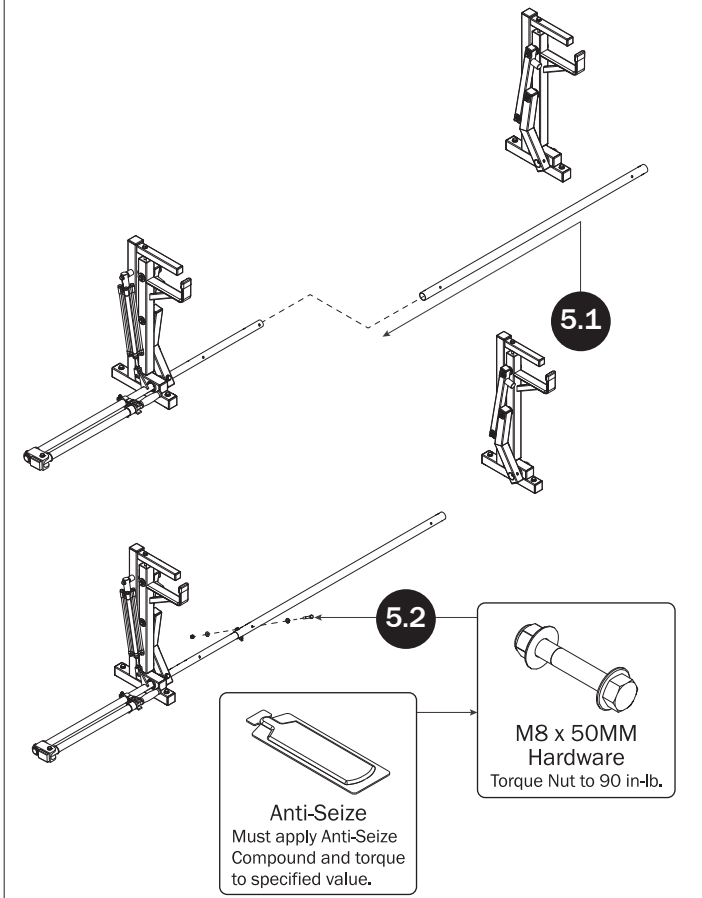
REAR DRIVE SHAFT



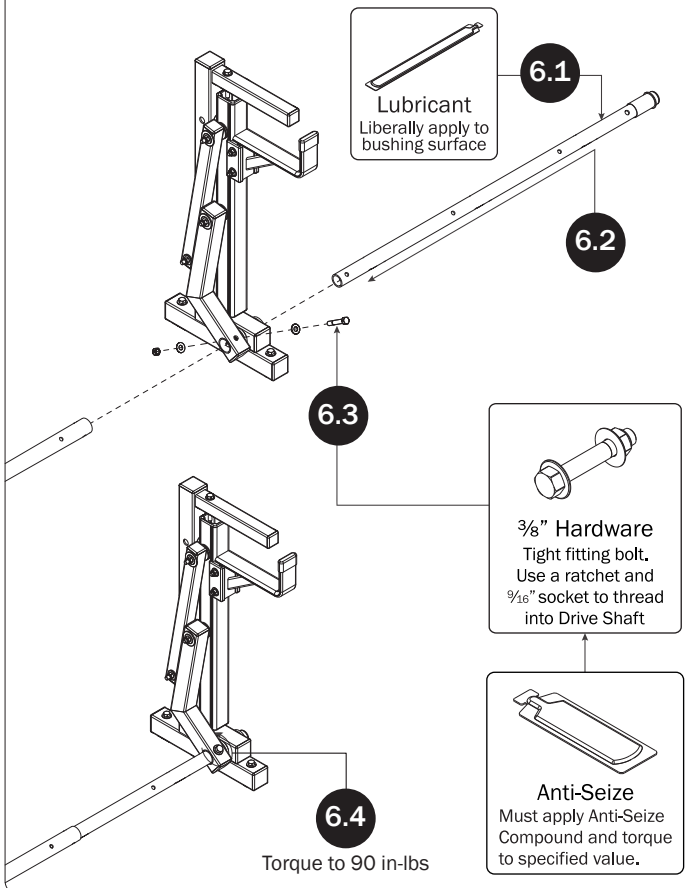
CYLINDER HARDWARE



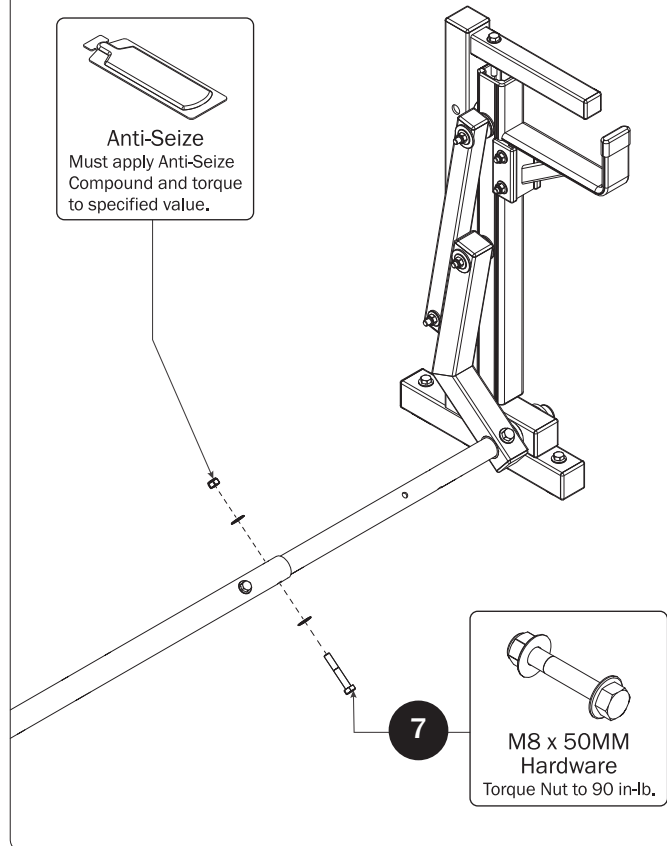
CONNECTING BAR



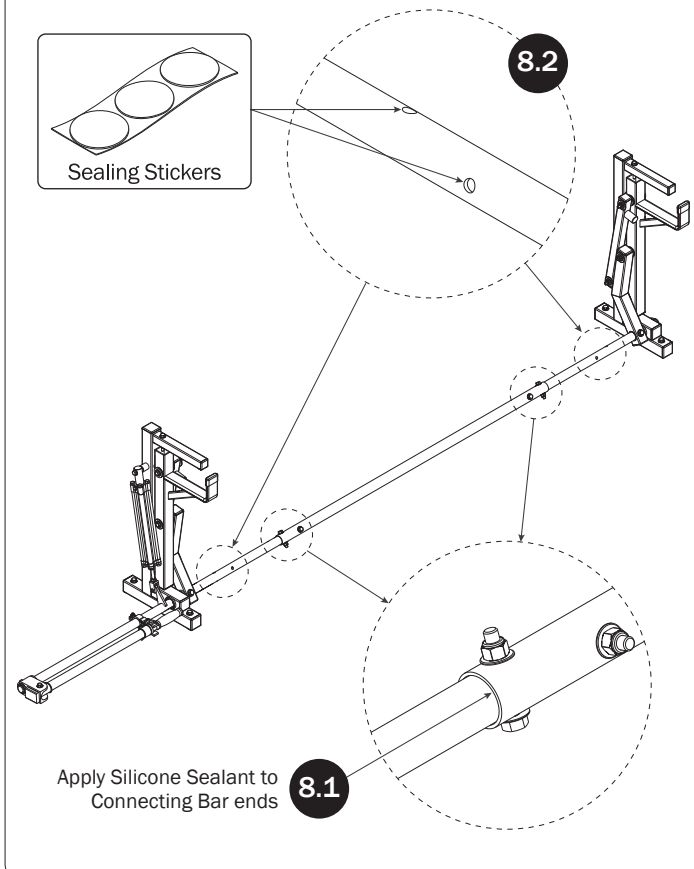
FRONT DRIVE SHAFT



CONNECTING BAR FASTENERS



DRIVE SHAFT SEALING



CYLINDER ADJUSTMENT

