

PRIME DESIGN™

A Safe Fleet Brand

UXR-006-E

Utility Right Hand Rotation

Dimensional Specifications on Page 2

Configuration as shown:

Rotation Assembly w/ 26" Ratcheting Handle
UTB-2031 16" Standing Utility Mounts
HKT-0122 Mounting Hardware
Finish: White Powder Coat
Rack Weight (empty): 47 lbs

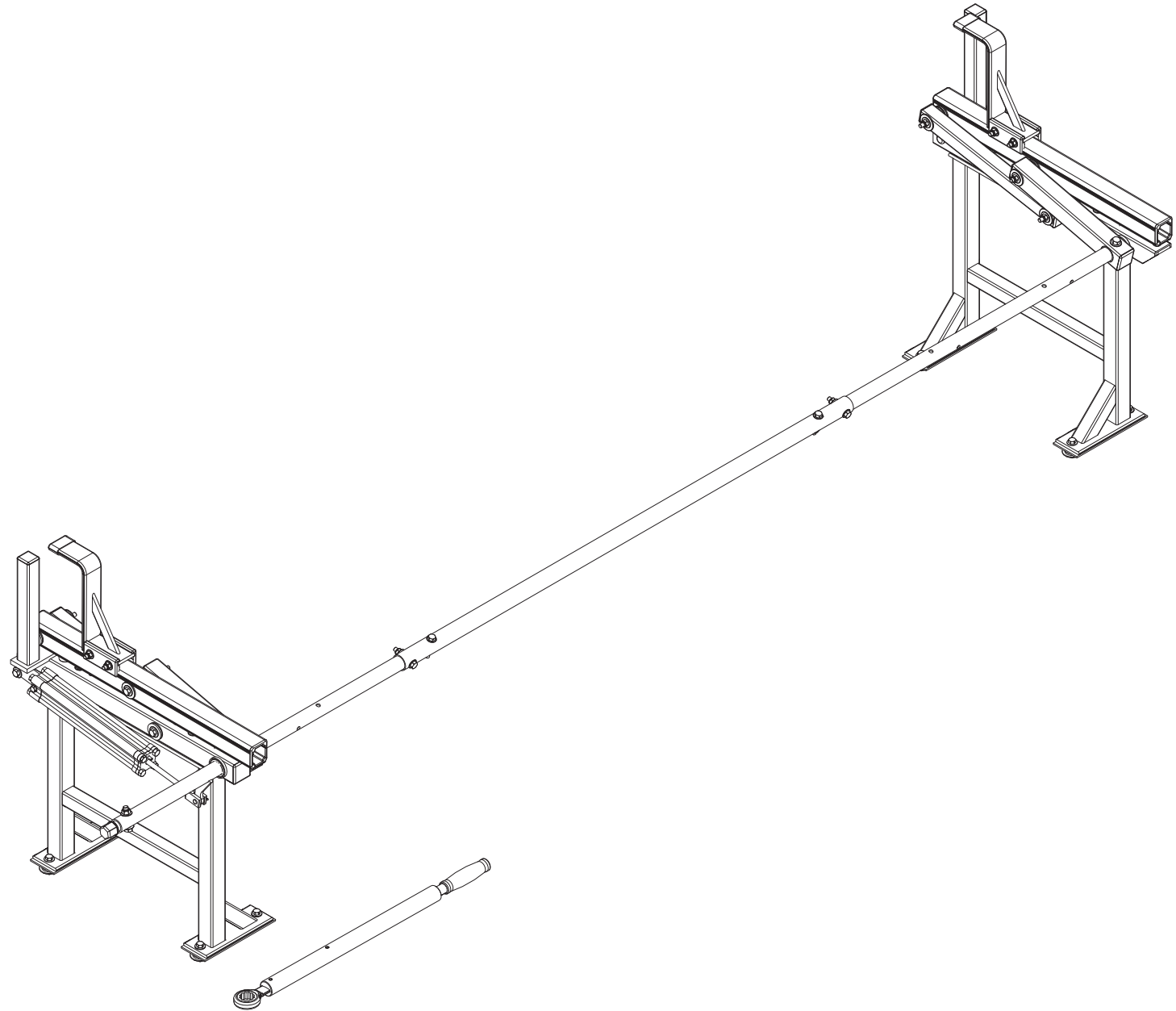
ErgoRack—Load specifications:

NOTE: Rotation Configurations: 12 ft. step ladders require an extended upper add-on component.

Check vehicle manufacturer recommendations for roof capacity weight limits.

CROSSBAR SPACING	STEP LADDER	EXT. LADDER
4 ft Spacing	6 – 8 ft.	16 – 20 ft.
5 ft Spacing	8 – 10 ft.	16 – 24 ft.
6 ft Spacing	8 – 12 ft.†	16 – 28 ft.
7 ft Spacing	10 – 12 ft.†	20 – 32 ft.
8 ft Spacing	10 – 12 ft.†	20 – 36 ft.

USOV-UXR006E-US01 Rev-A 0719



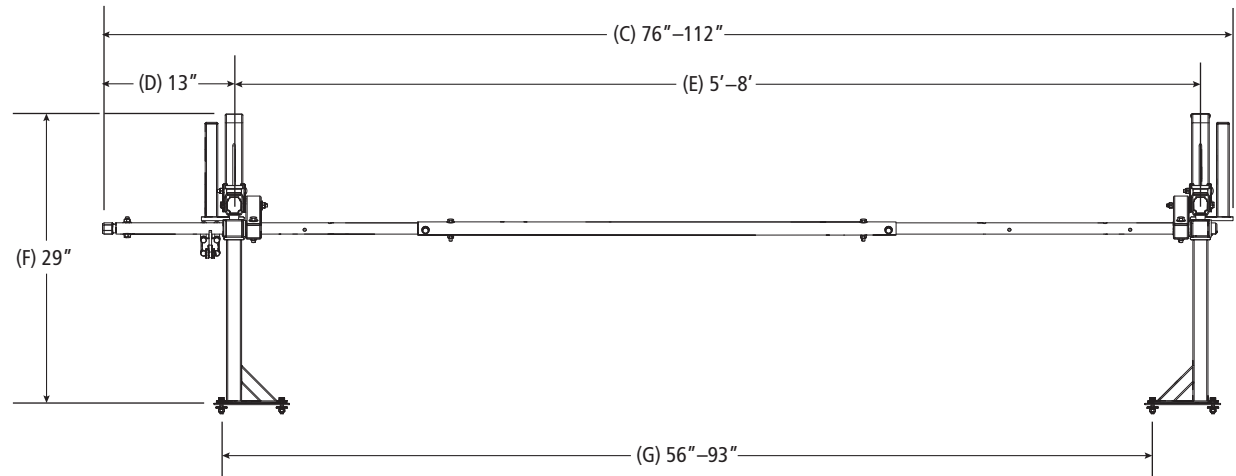
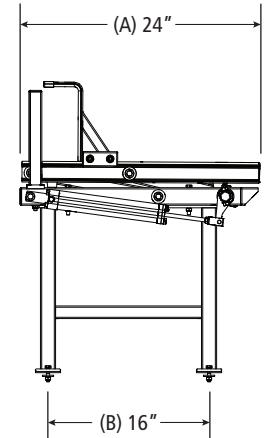
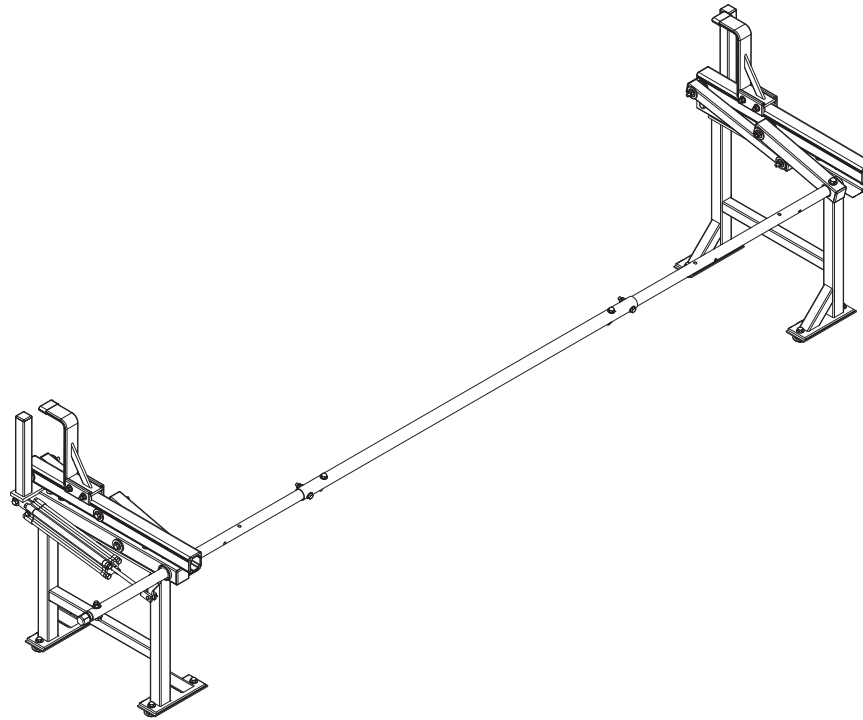
UXR-006-E

Utility Right Hand Rotation

Approximate dimensions as shown:

A: Width	24"
B: Mount Spacing L/R	16"
C: Length	76"–112"
D: Offset*	13"
E: Crossbar Spacing	5'–8'
F: Height	29"
G: Mount Spacing R/F	56"–93"

* The rear drive shaft must not extend past the vehicle bumper. (See Offset)



Assembly Manual also available:

UXR-006-E

USOV-UXR006E-US01 Rev-A 0719