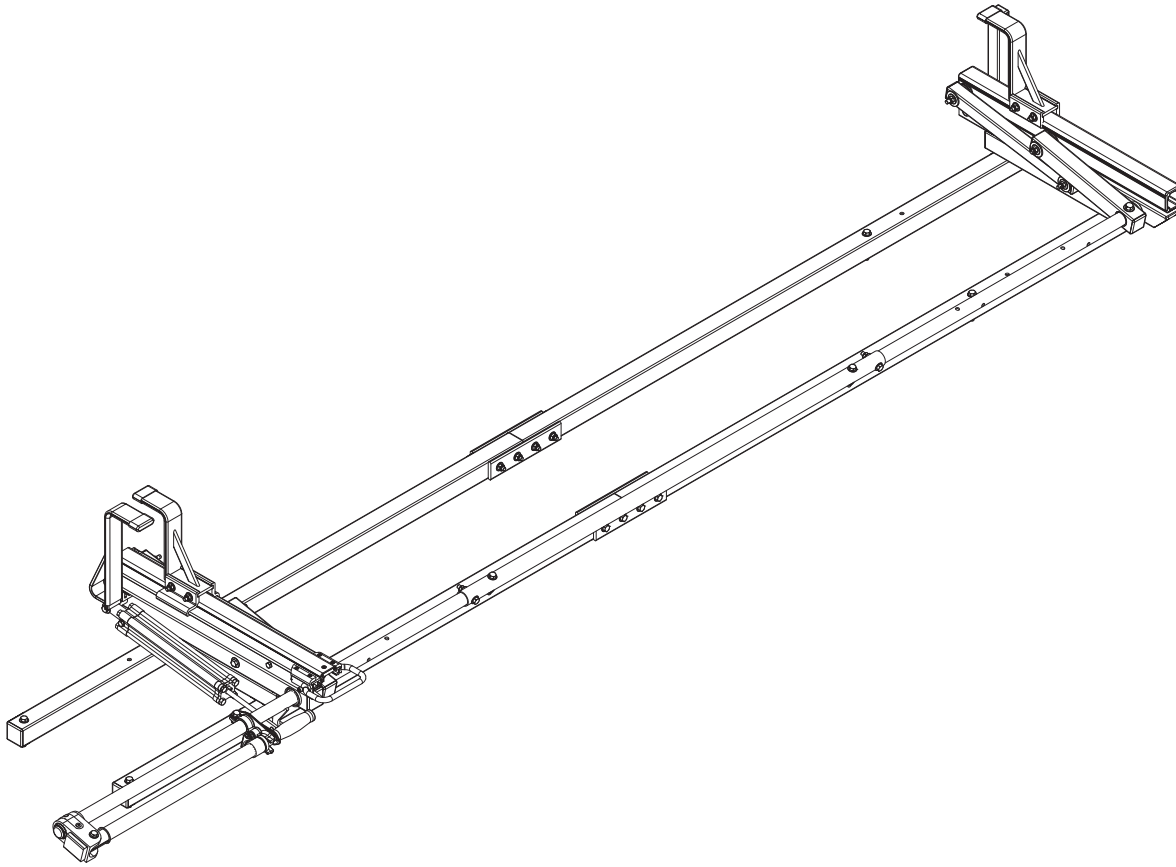


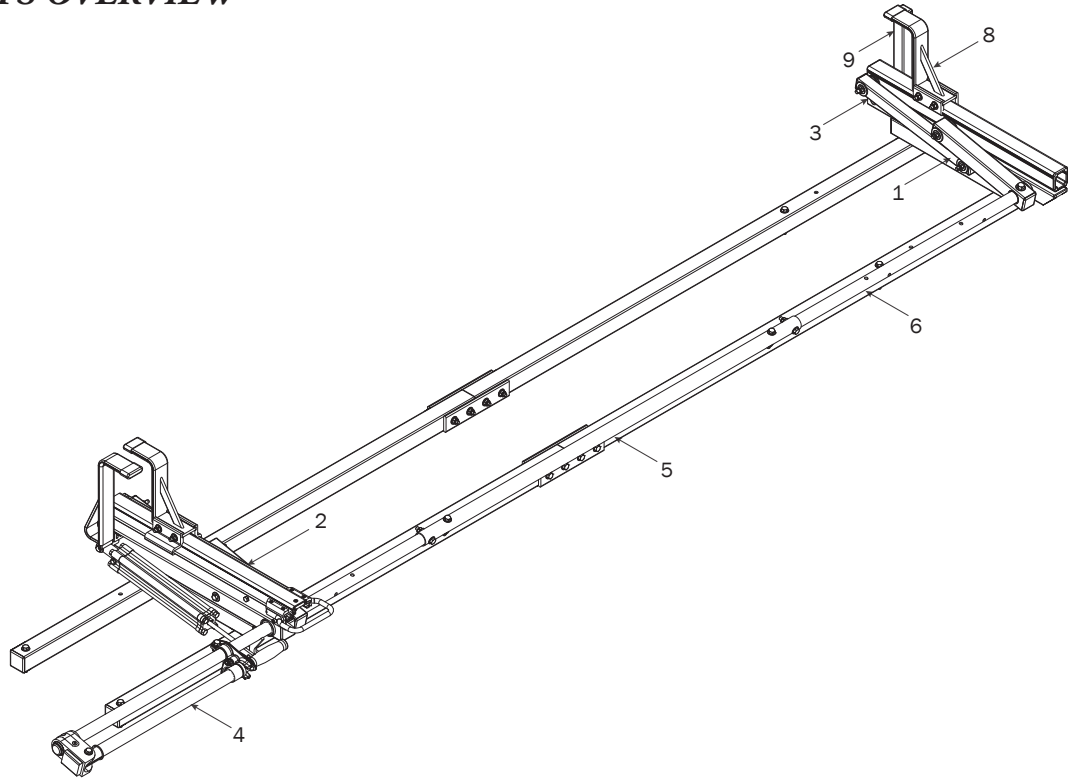
# PRIME DESIGN™

A Safe Fleet Brand

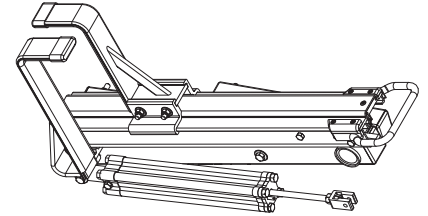


**UXR** **0022**

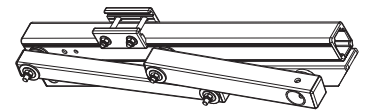
CONTENTS OVERVIEW



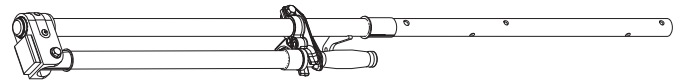
1—Rear Rotation Assembly..... (Qty 1)



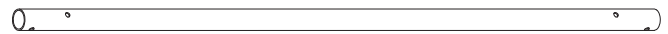
2—Front Rotation Assembly..... (Qty 1)



3—Rear Drive Shaft..... (Qty 1)  
Right Hand, 50.00"



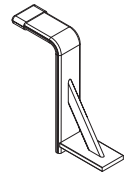
4—Connecting Bar..... (Qty 1)  
48.00"



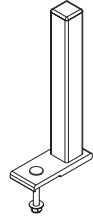
5—Front Drive Shaft ..... (Qty 1)  
B Version, 35.75"



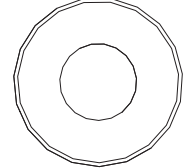
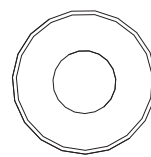
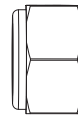
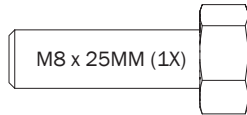
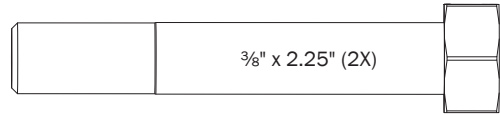
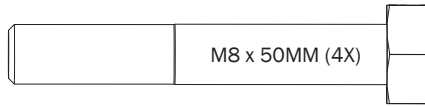
6-Z Post ..... (Qty 1)  
Adjustable, 7.25"



7-L Post ..... (Qty 1)  
9.25"



HKT-8163-Rotation Hardware Kit

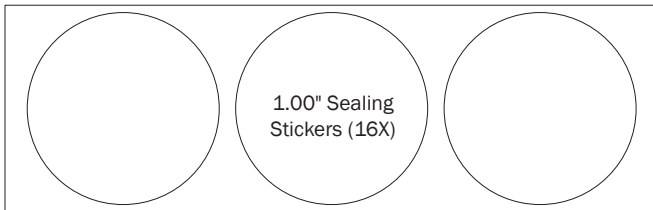


M8 Lock Nut (5X)

3/8" Lock Nut (2X)

5/16" Flat Washer (10X)

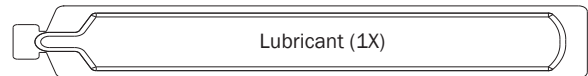
3/8" Flat Washer (4X)



1.00" Sealing Stickers (16X)



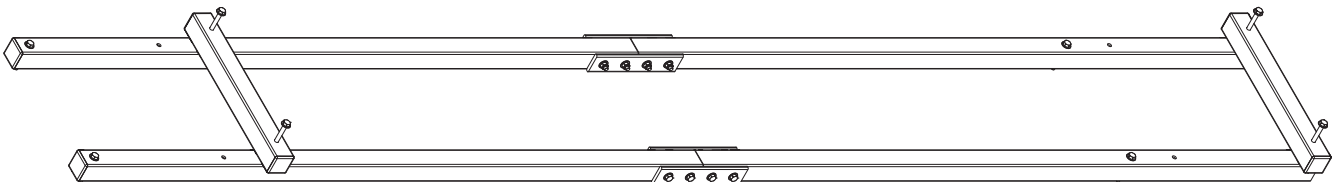
Anti-Seize (1X)

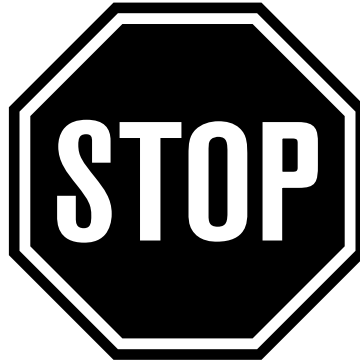


Lubricant (1X)

FBM-0123 Mounting Kit

\*Packaged Separately



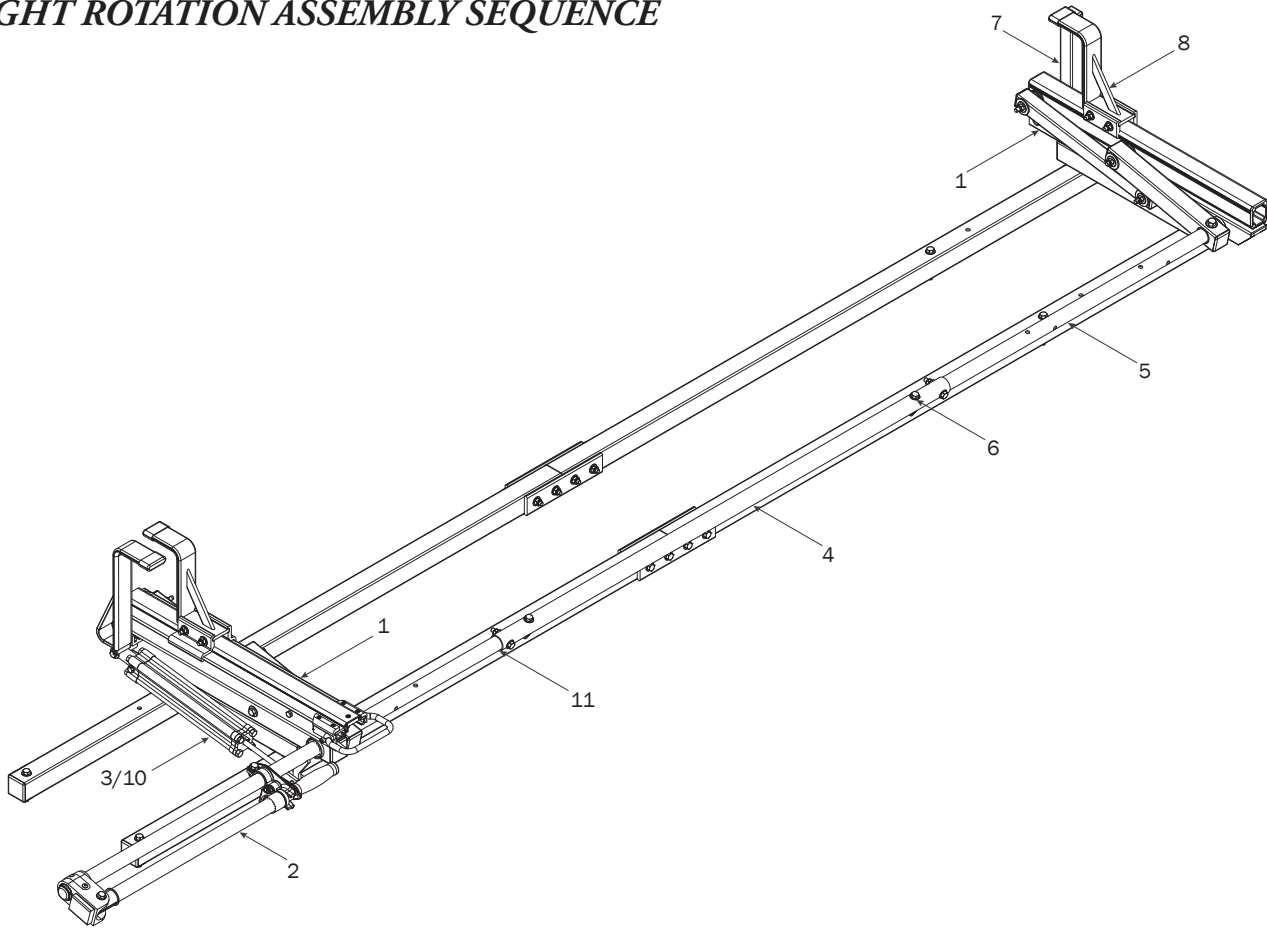


Refer to the respective FBM Assembly Manual(s) included with your chosen rack configuration features. Depending upon the features chosen, you may need to perform a complete feature assembly onto the Crossbars or Side Rails as noted in that feature's Assembly Manual.

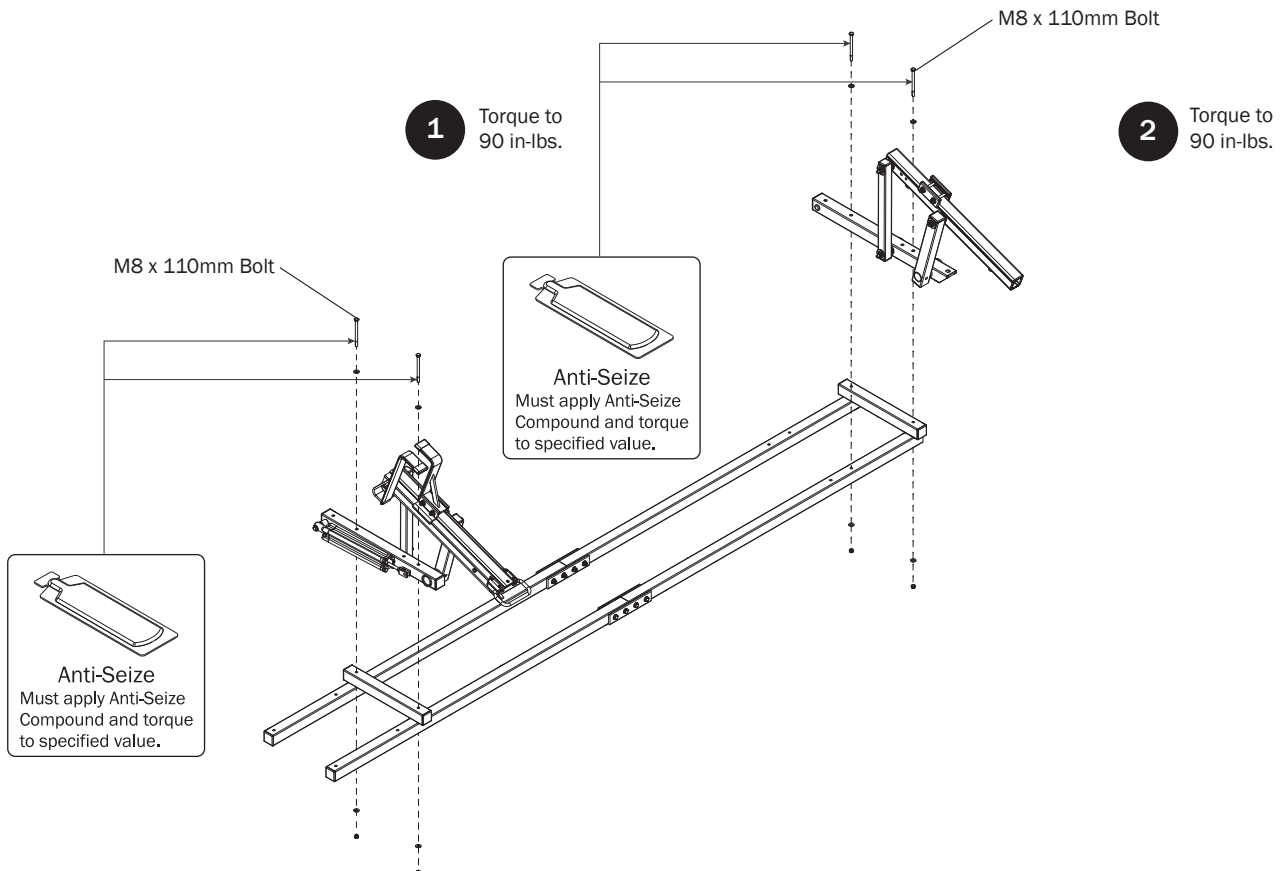
*WARNING: Failure to position the Crossbars as shown in this FBM Assembly Manual may result in damage to the sliding door and/or ladder rack.*

*NOTE: FBM is not included in this Assembly, and must be purchased separately. To purchase applicable FBMs and accessories, please contact your authorized distributor, or a Prime Design Sales & Service Representative.*

## RIGHT ROTATION ASSEMBLY SEQUENCE

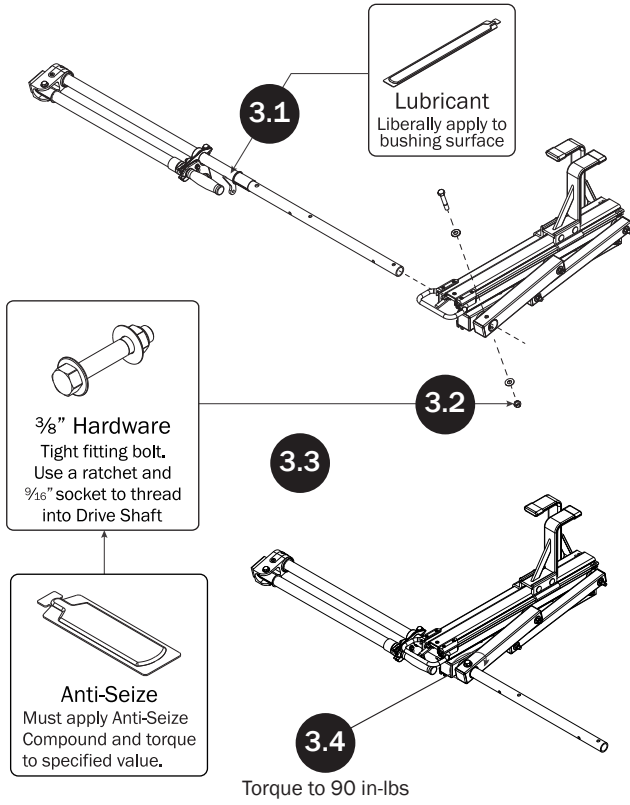


## REAR & FRONT ROTATION ASSEMBLY

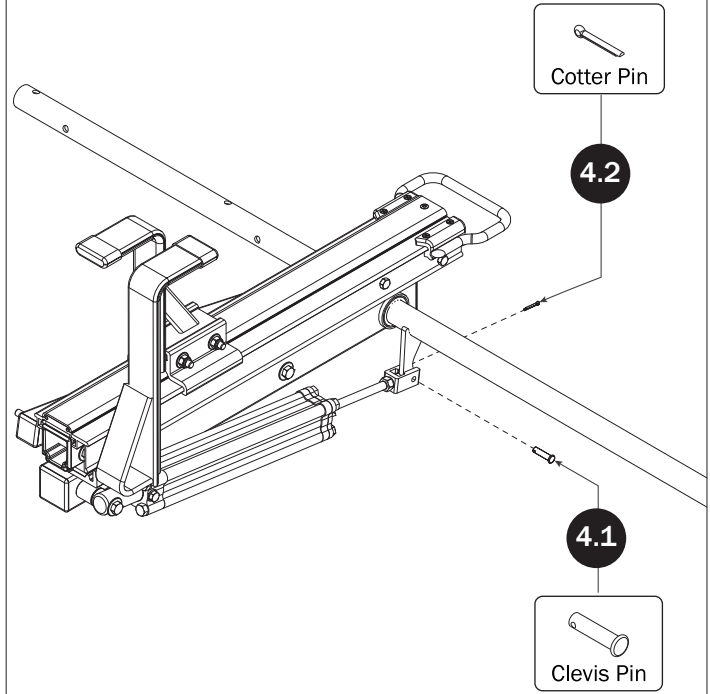


### REAR DRIVE SHAFT

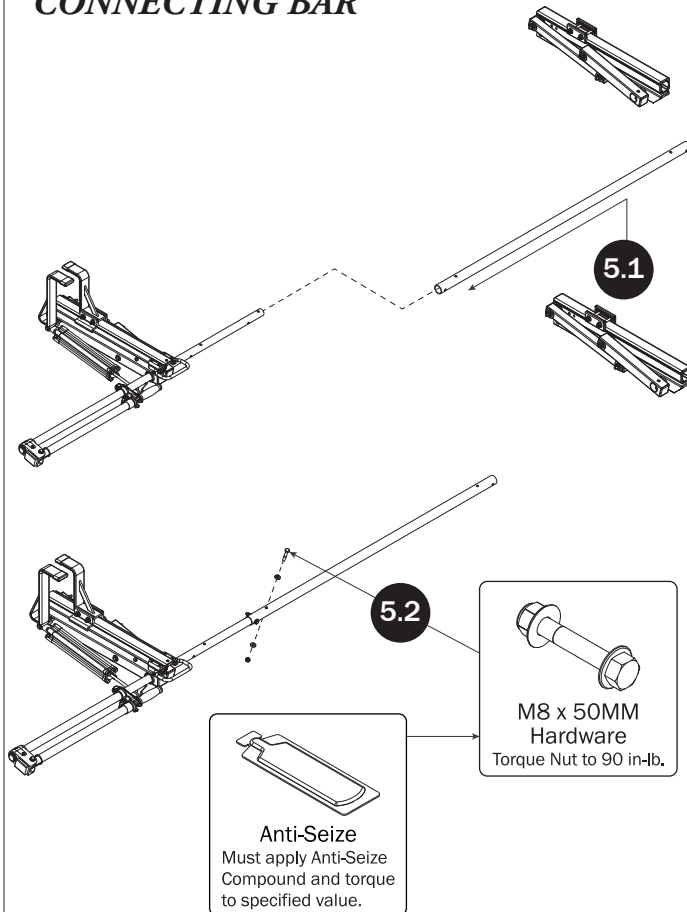
\*Parts of the Assembly are removed for visual clarity



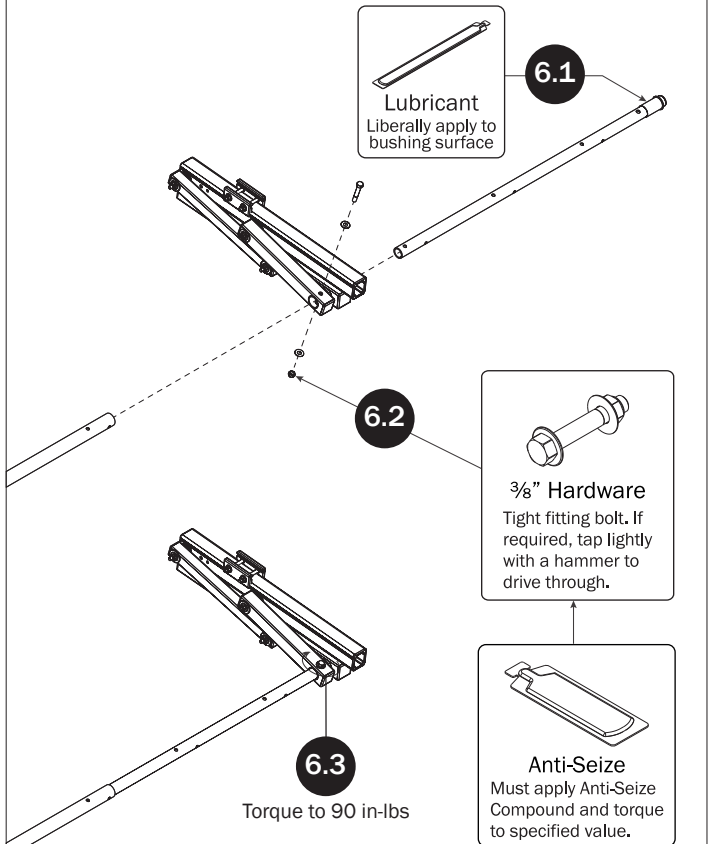
### CYLINDER HARDWARE



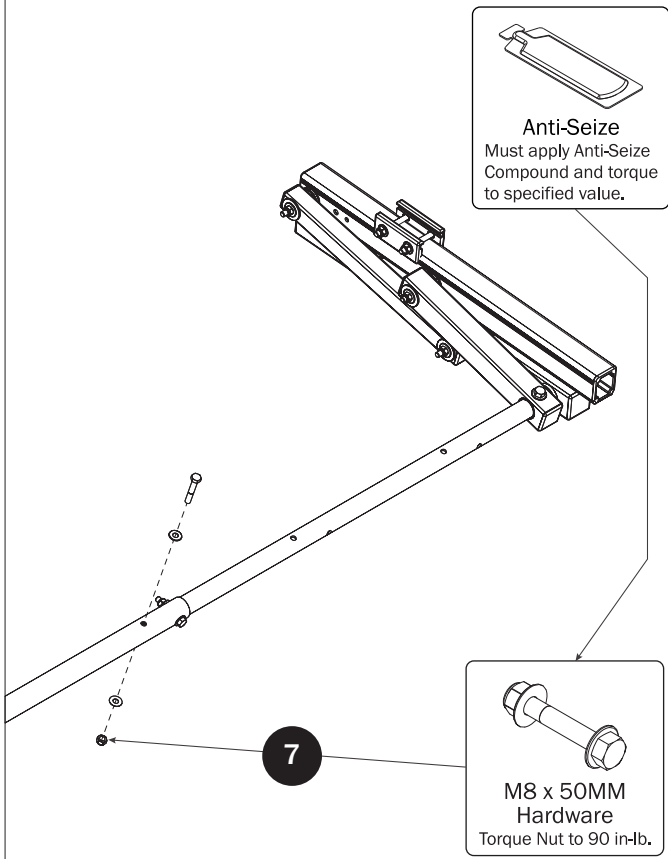
### CONNECTING BAR



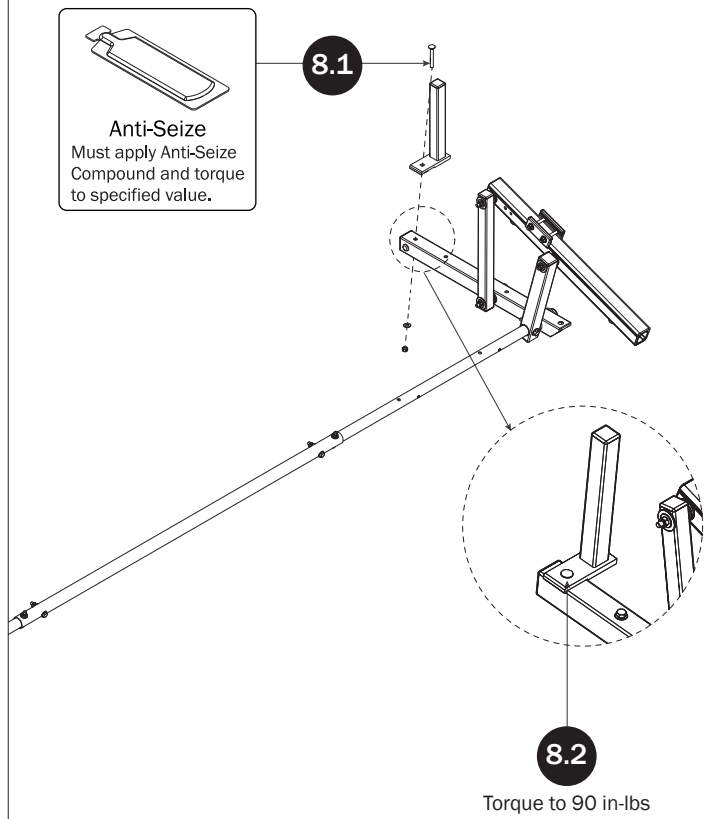
### FRONT DRIVE SHAFT



## CONNECTING BAR FASTENERS

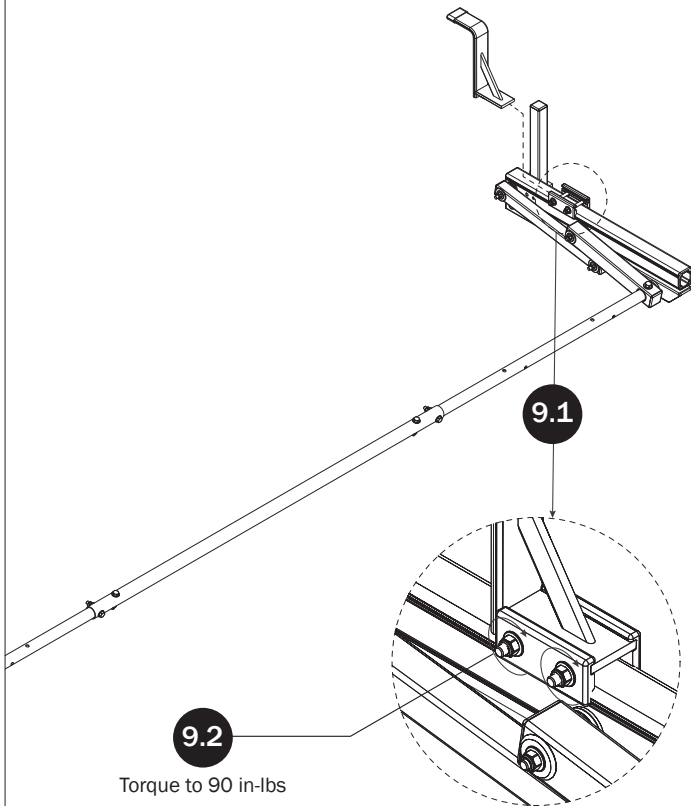


## L POSTS

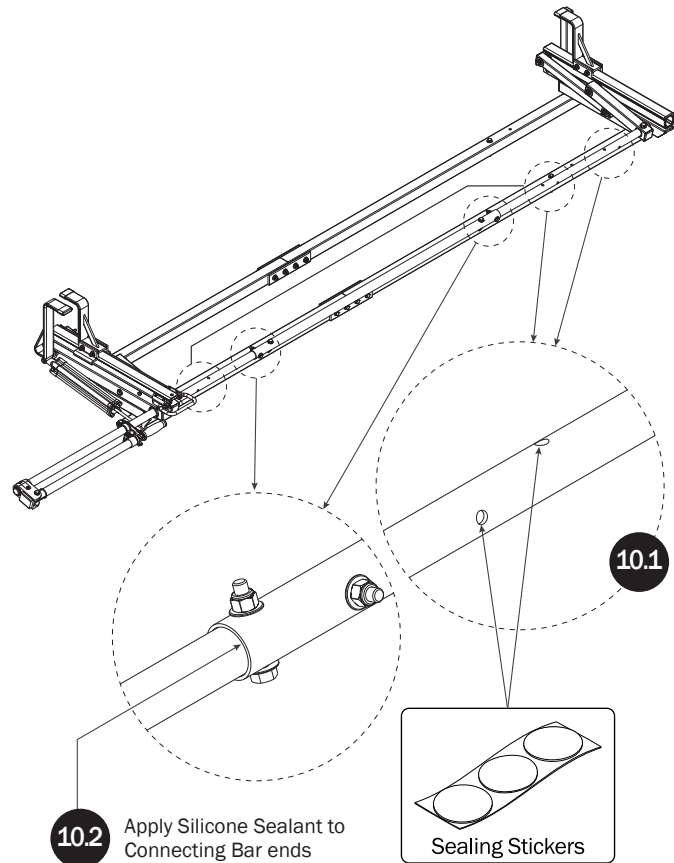


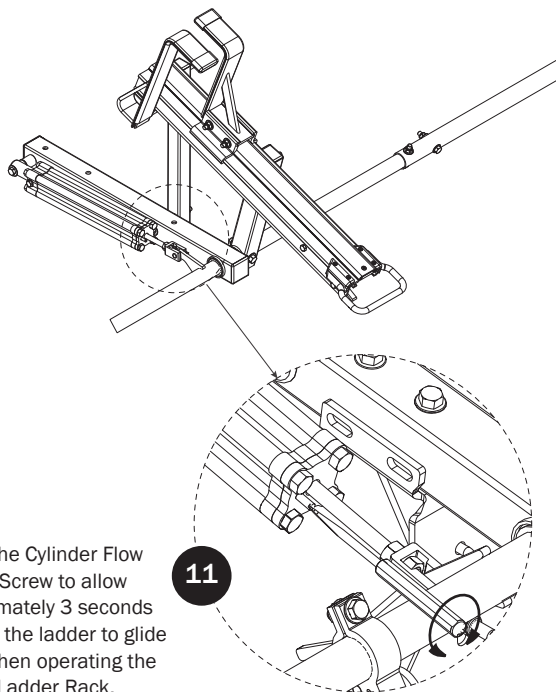
## Z POSTS

SEE QUICK START GUIDE FOR ADJUSTMENTS



## DRIVE SHAFT SEALING



**CYLINDER ADJUSTMENT**

Adjust the Cylinder Flow Control Screw to allow approximately 3 seconds time for the ladder to glide down when operating the loaded Ladder Rack.

USAM-UXR0022-US01 Rev-A 0123