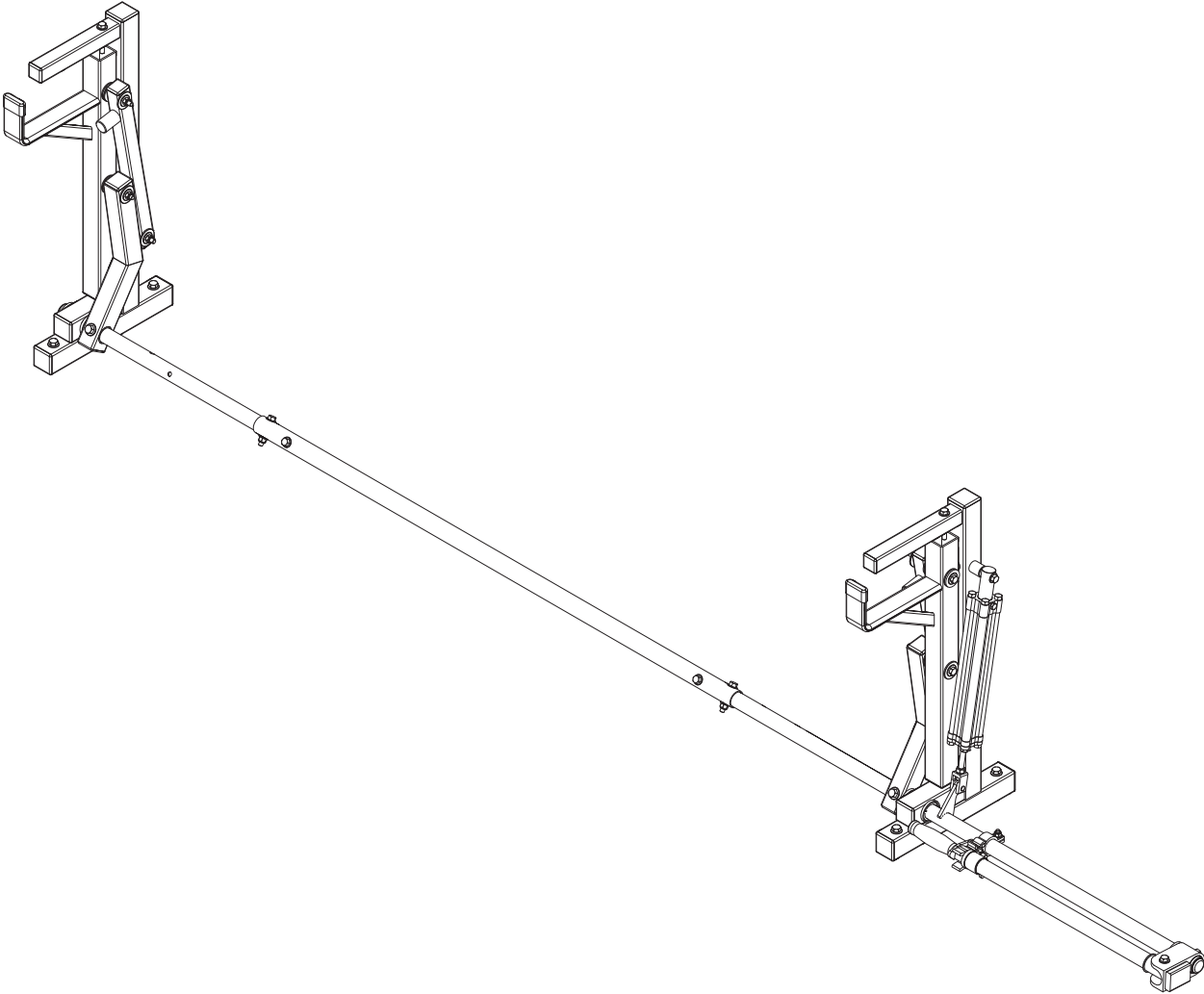


# PRIME DESIGN™

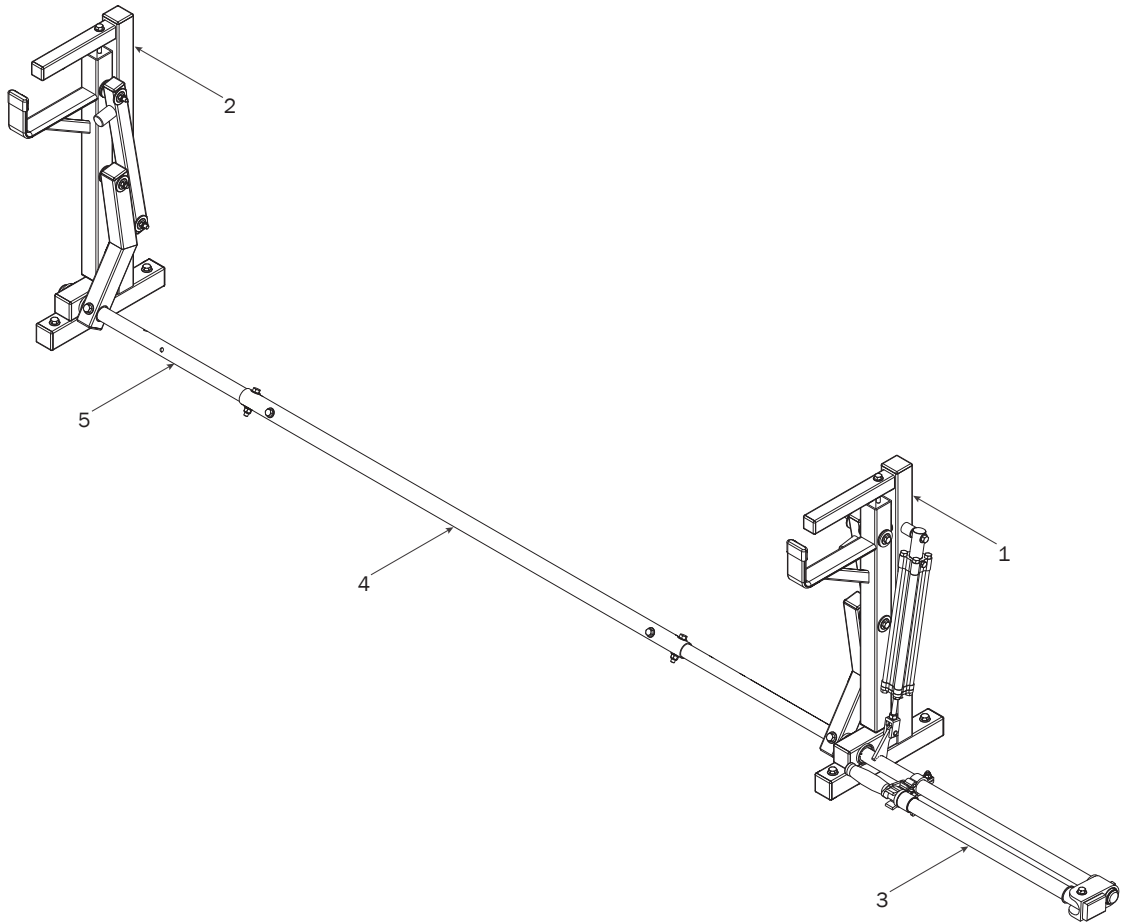
A Safe Fleet Brand



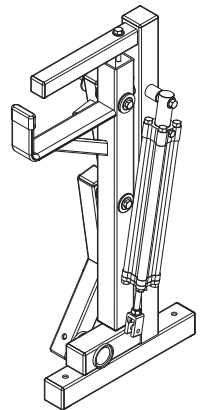
PRIME DESIGN, A SAFE FLEET BRAND

Address: 580 Opperman Drive, Eagan, MN 55123 • Toll Free: 1.8.PRIME.RACK  
Fax: 651-552-1799 • Email: [info@primedesign.net](mailto:info@primedesign.net) • Website: [www.primedesign.net](http://www.primedesign.net)

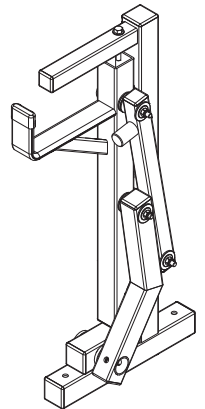
**CONTENTS OVERVIEW**



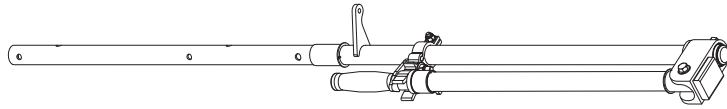
1—Rear Rotation Assembly..... (Qty 1)



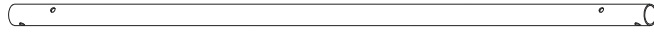
2—Front Rotation Assembly..... (Qty 1)



3—Rear Drive Shaft..... (Qty 1)  
Left Hand, 50.00"



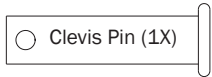
4—Connecting Bar..... (Qty 1)  
48.00"



5—Front Drive Shaft..... (Qty 1)  
B Version, 35.75"



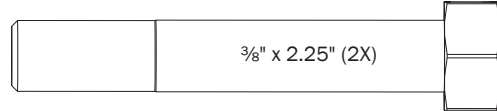
HKT-8163-Rotation Hardware Kit



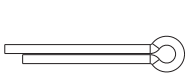
Clevis Pin (1X)



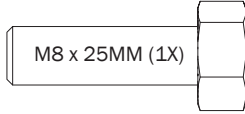
M8 x 50MM (4X)



3/8" x 2.25" (2X)



Cotter Pin (1X)



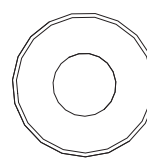
M8 x 25MM (1X)



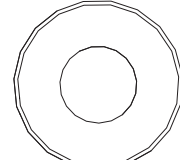
M8 Lock Nut (5X)



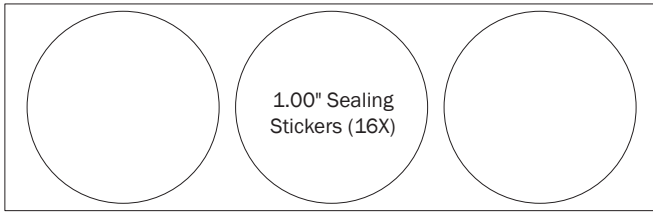
3/8" Lock Nut (2X)



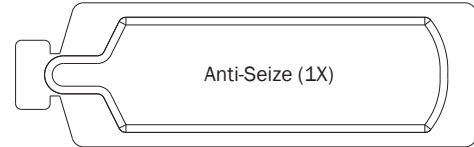
5/16" Flat Washer (10X)



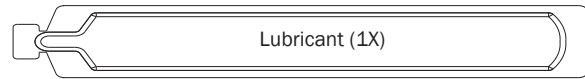
3/8" Flat Washer (4X)



1.00" Sealing Stickers (16X)

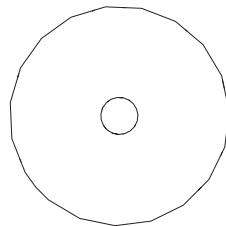


Anti-Seize (1X)

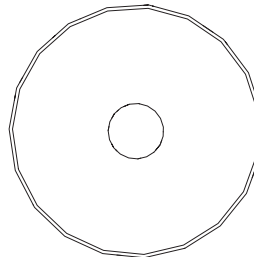


Lubricant (1X)

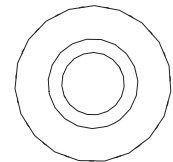
Mounting Hardware



Neoprene Washer (4X)



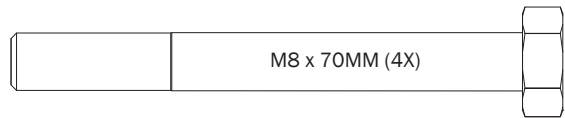
Fender Washer (4X)



5/16" Seal Washer (4X)



M8 Lock Nut (4X)



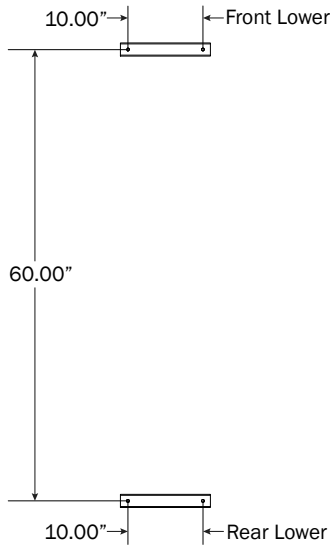
M8 x 70MM (4X)



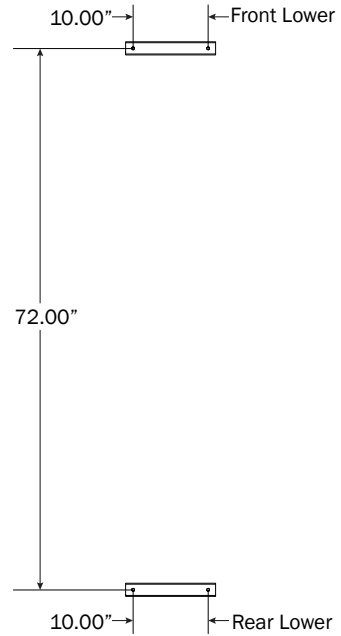
Anti-Seize (1X)

**MOUNTING DIMENSIONS**

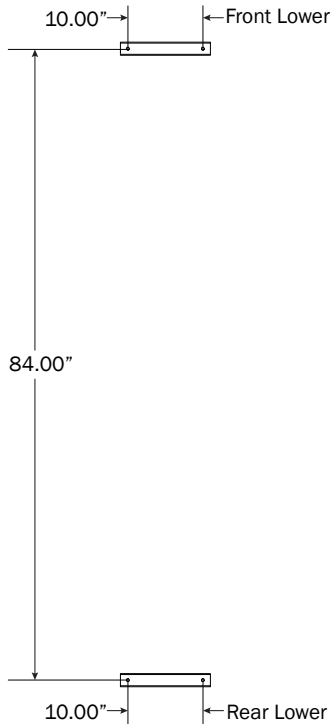
**0.1** 5.00 Ft: Drill holes into the Service Body mounting location according to dimensions shown.



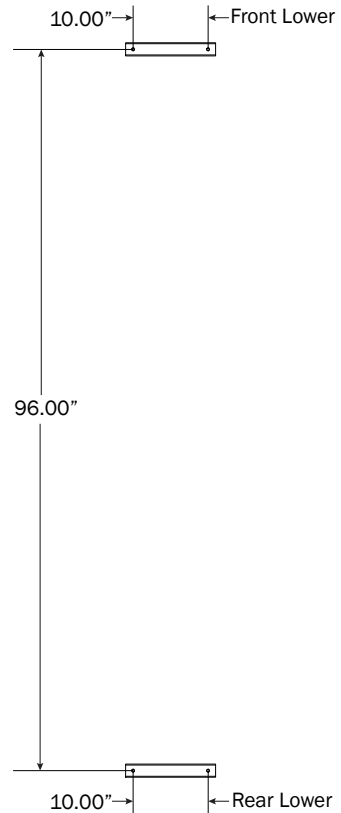
**0.2** 6.00 Ft: Drill holes into the Service Body mounting location according to dimensions shown.



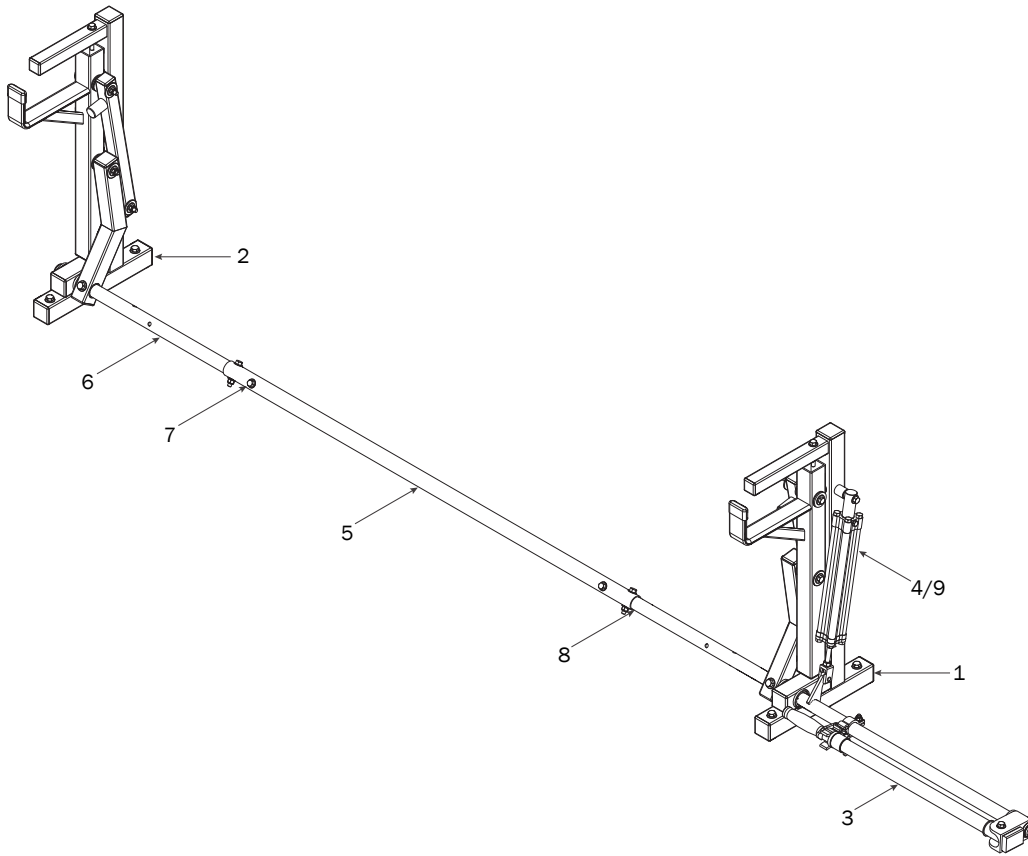
**0.3** 7.00 Ft: Drill holes into the Service Body mounting location according to dimensions shown.



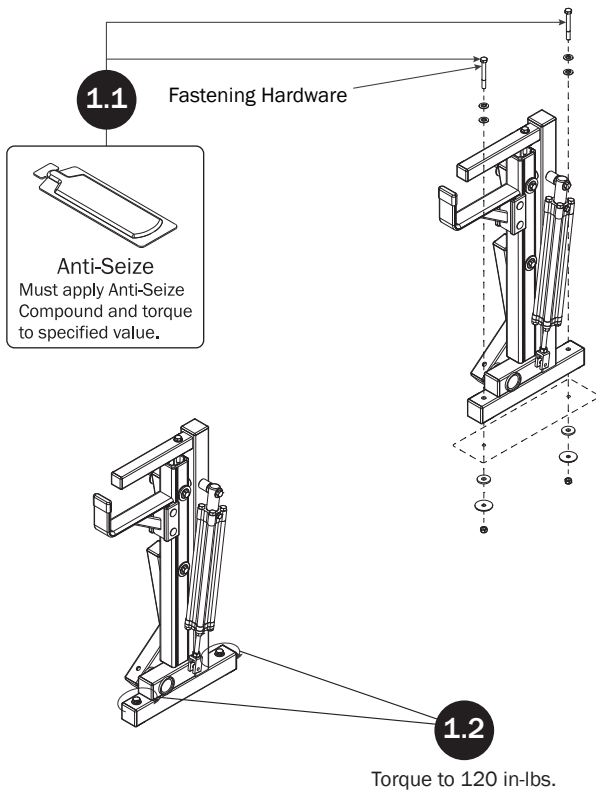
**0.4** 8.00 Ft: Drill holes into the Service Body mounting location according to dimensions shown.



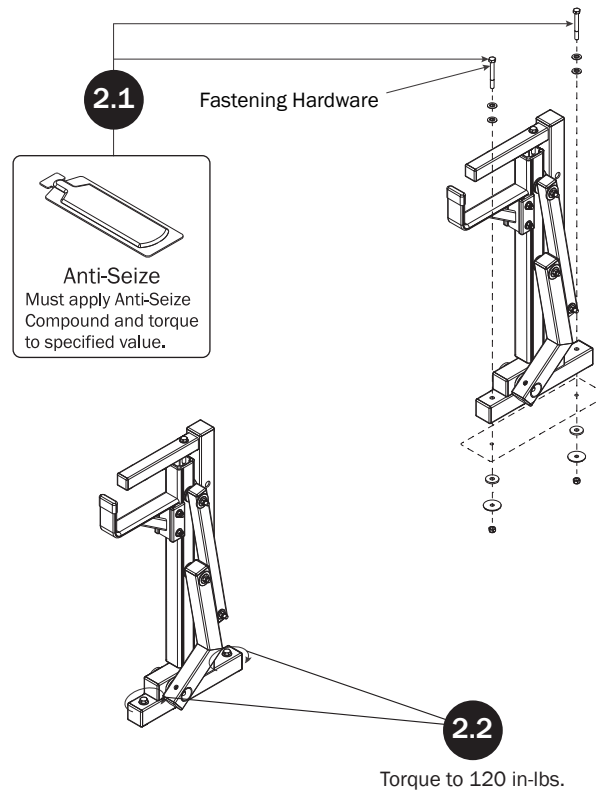
# RIGHT ROTATION ASSEMBLY SEQUENCE



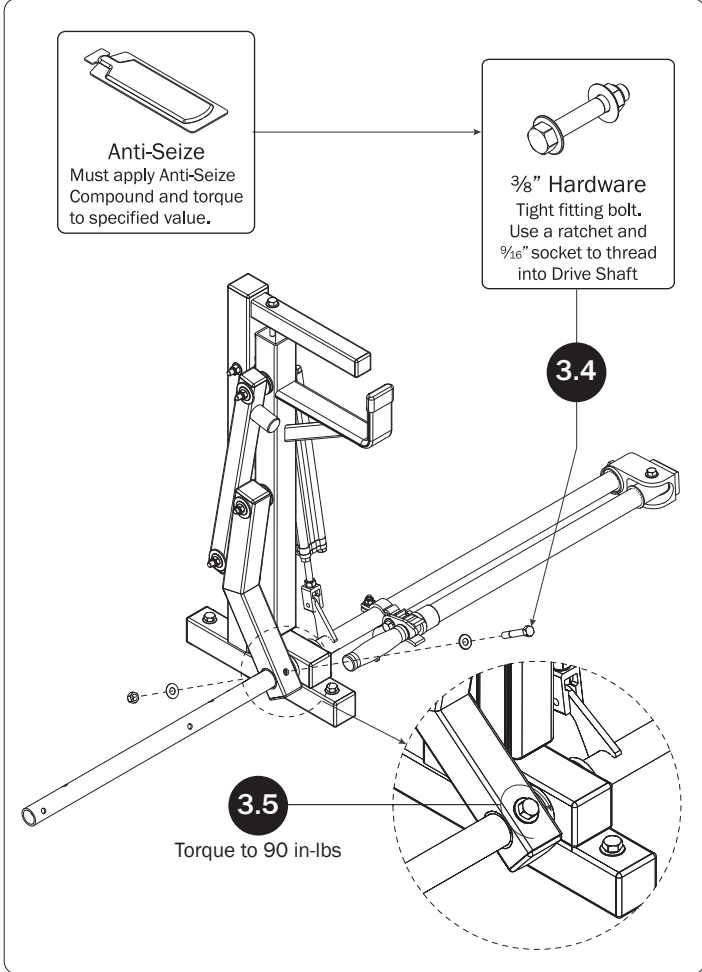
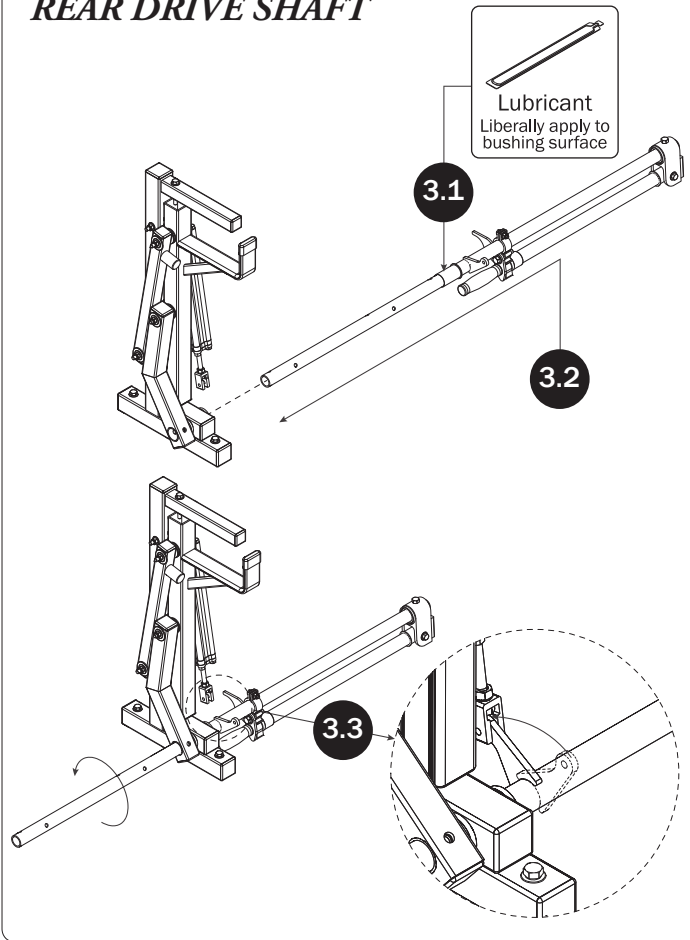
## REAR ROTATION ASSEMBLY



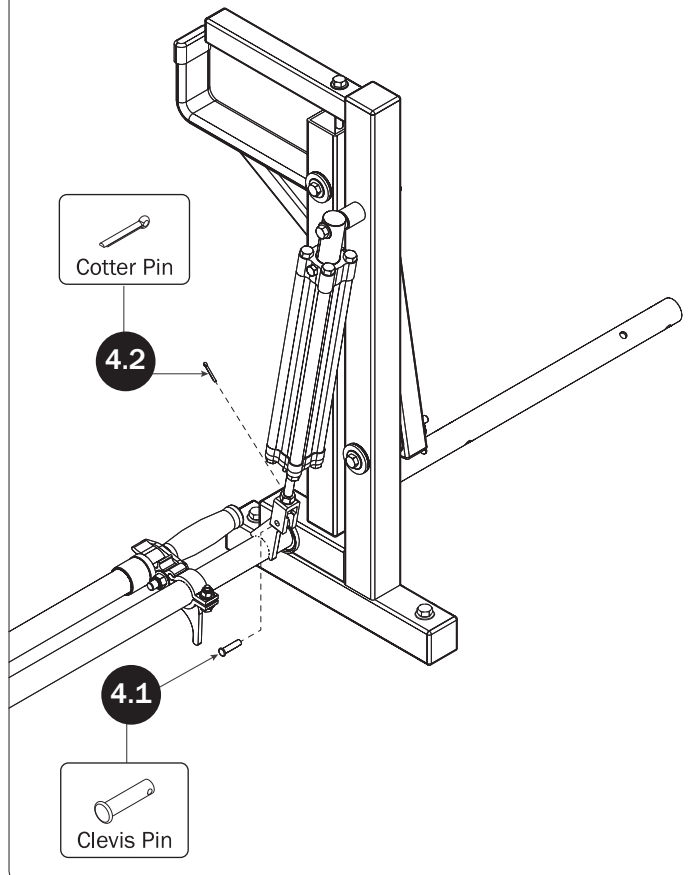
## FRONT ROTATION ASSEMBLY



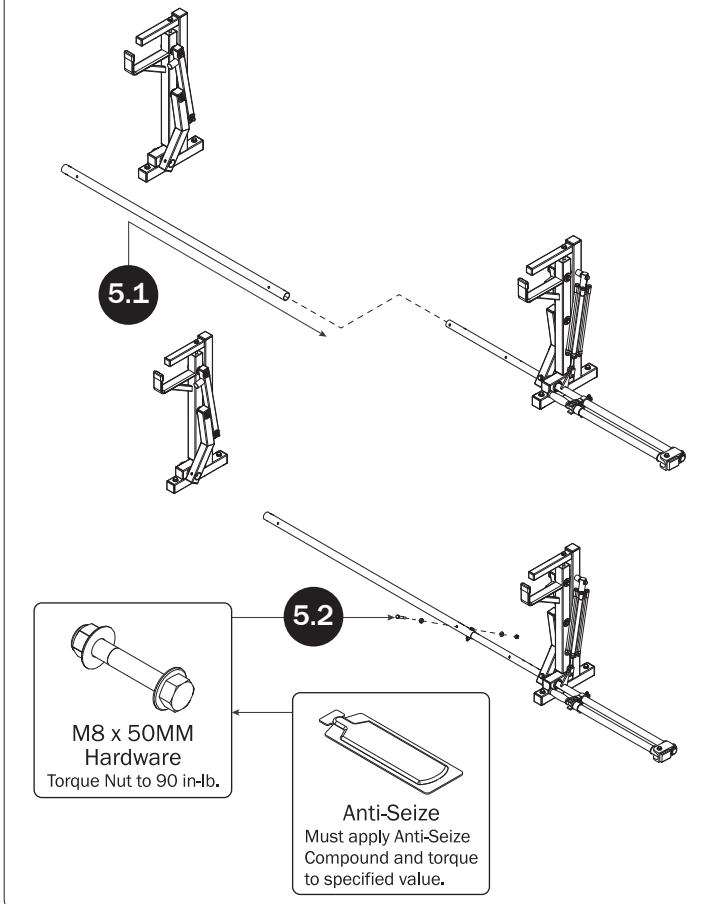
### REAR DRIVE SHAFT



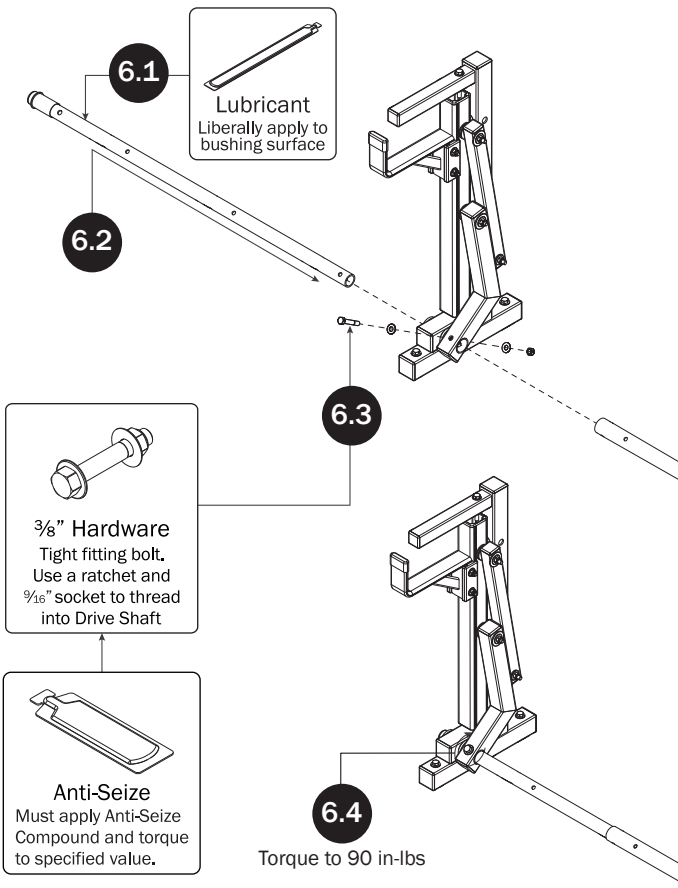
### CYLINDER HARDWARE



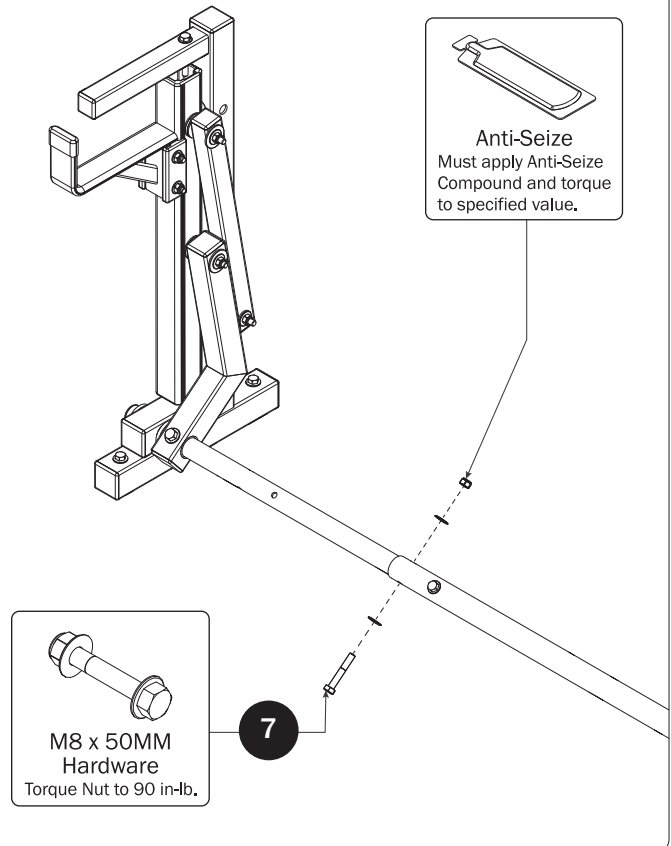
### CONNECTING BAR



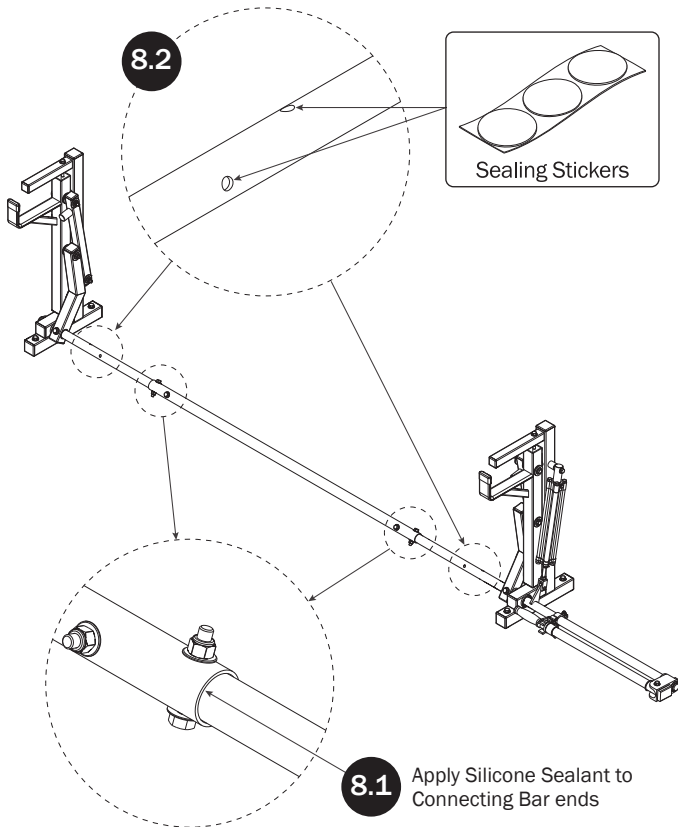
### FRONT DRIVE SHAFT



### CONNECTING BAR FASTENERS



### DRIVE SHAFT SEALING



### CYLINDER ADJUSTMENT

