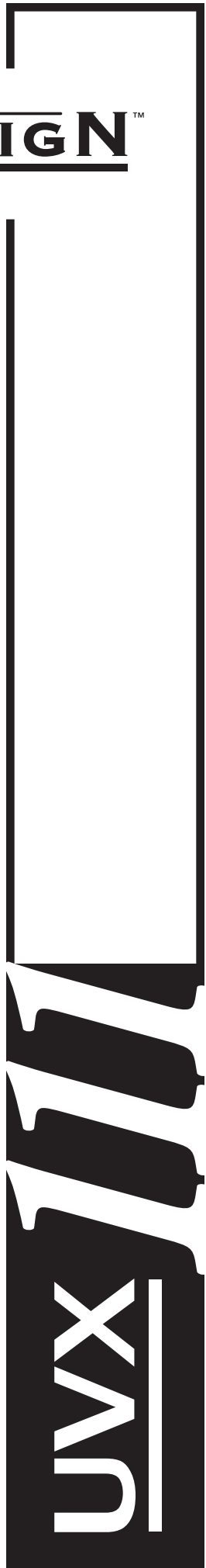
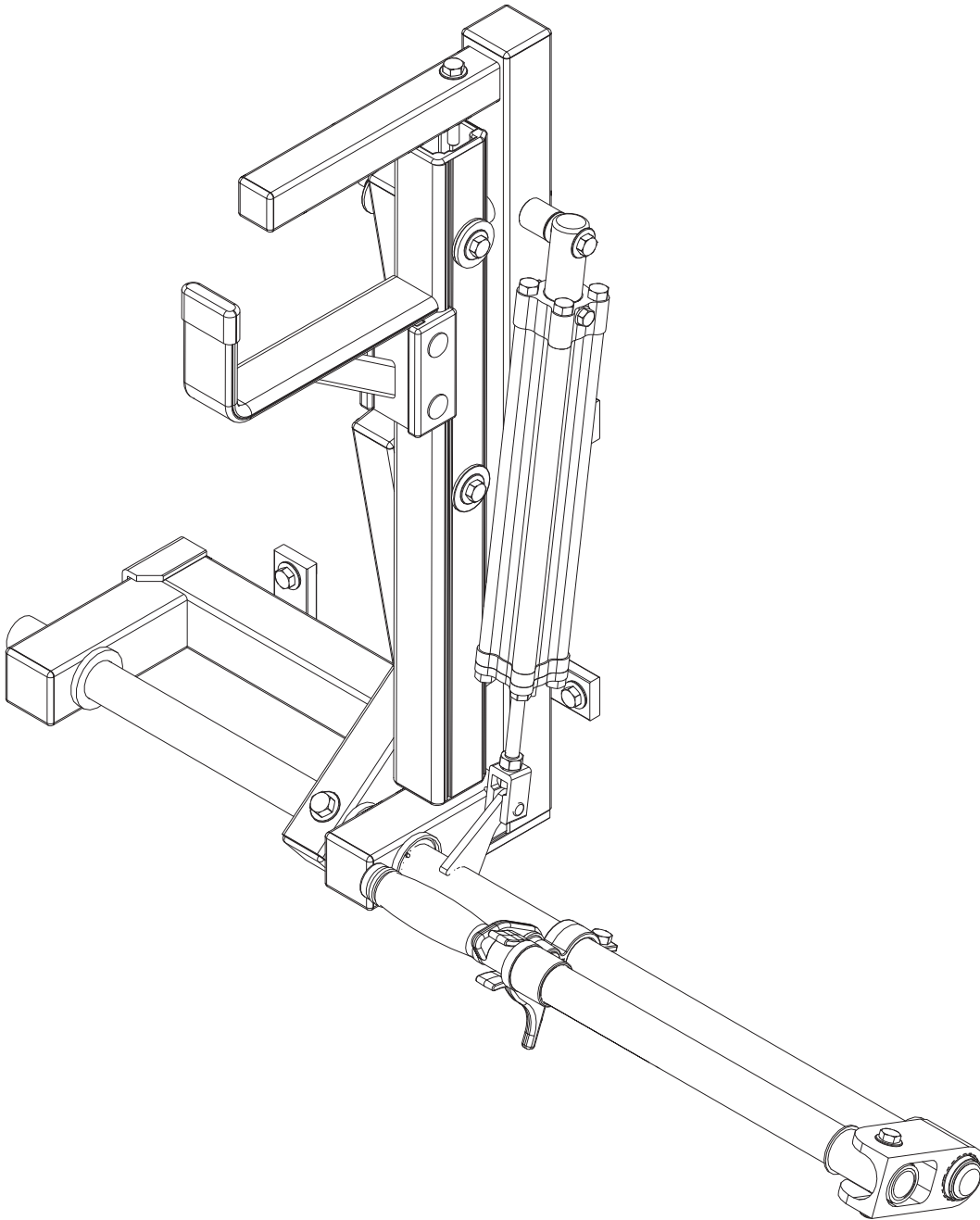


PRIME DESIGN™

A Safe Fleet Brand

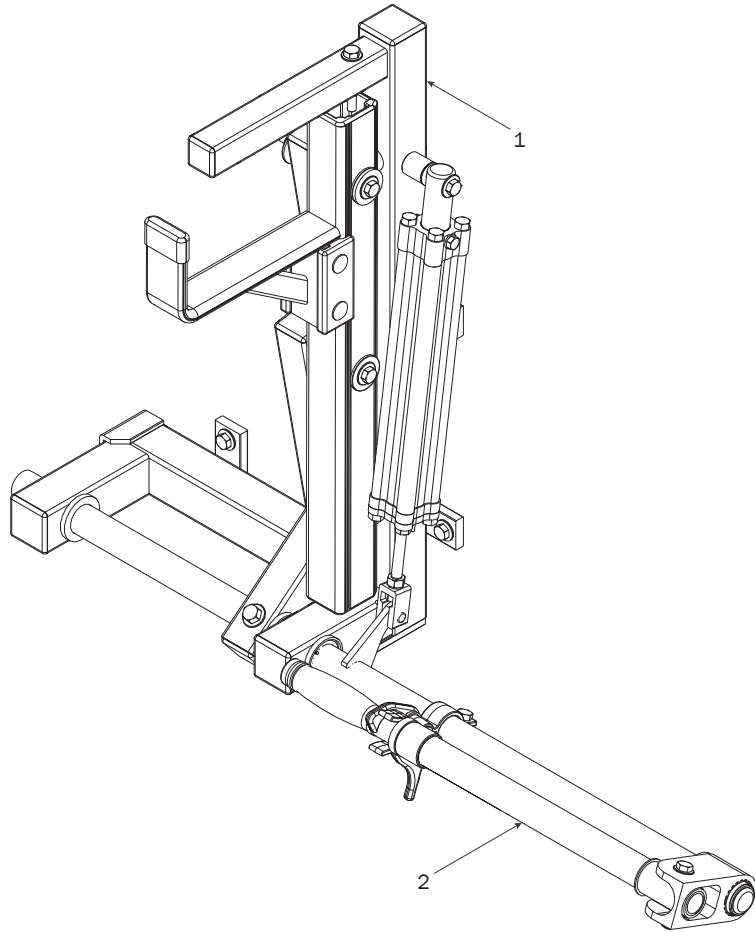


PRIME DESIGN, A SAFE FLEET BRAND

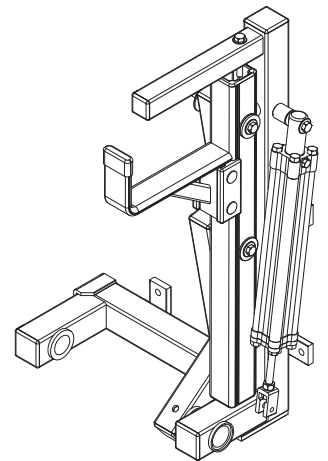
Address: 580 Opperman Drive, Eagan, MN 55123 • Toll Free: 1.8.PRIME.RACK

Fax: 651-552-1799 • Email: info@primedesign.net • Website: www.primedesign.net

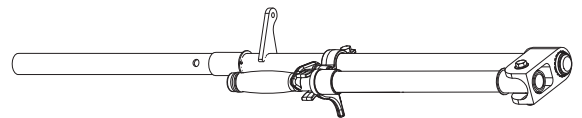
CONTENTS OVERVIEW

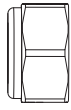


1—Rear Rotation Assembly..... (Qty 1)



2—Rear Drive Shaft..... (Qty 1)
Left Hand, 36.00"

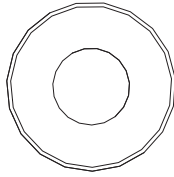




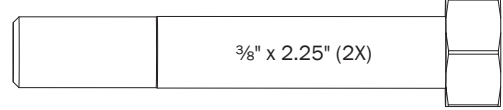
M8 Lock Nut (6X)



3/8" Lock Nut (2X)



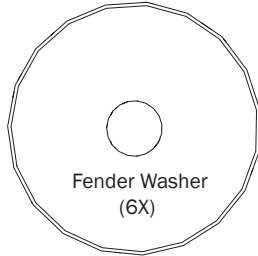
3/8" Flat Washer (2X)



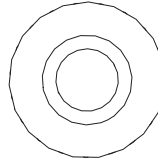
3/8" x 2.25" (2X)



Neoprene Washer (6X)



Fender Washer (6X)



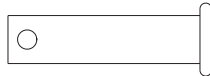
5/16" Seal Washer (6X)



M8 x 30MM (6X)



Cotter Pin (1X)



Clevis Pin (1X)



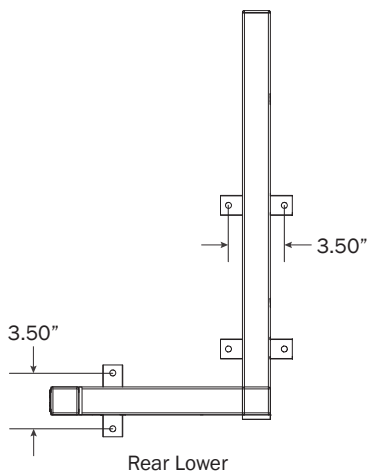
Anti-Seize (1X)



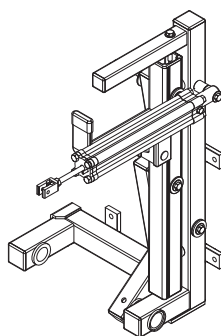
Lubricant (1X)

UTILITY BODY MOUNTING

0.1 Drill holes into the Service Body mounting location according to dimensions shown.



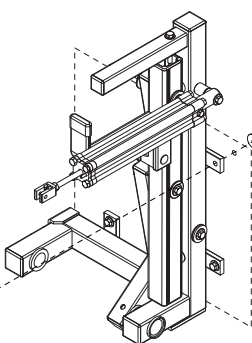
0.2 Position and align the vertical Uprights until the mounting holes realign to the body holes drilled during Steps 0.1.



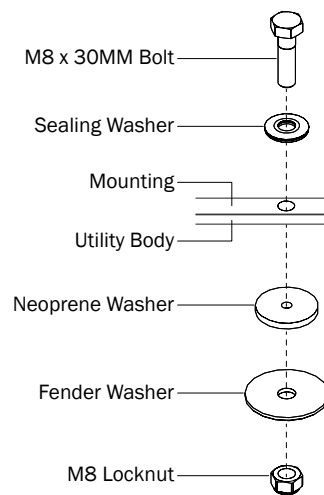
0.3 Using the fastening hardware shown below, attach the vertical Uprights to the Utility Body. The Neoprene Washer, Fender Washer, and Locknut install from the inside of the Utility Body in the order shown, while the Bolt and Seal Washer install from the outside.

Anti-Seize
Must apply Anti-Seize Compound and torque to specified value.

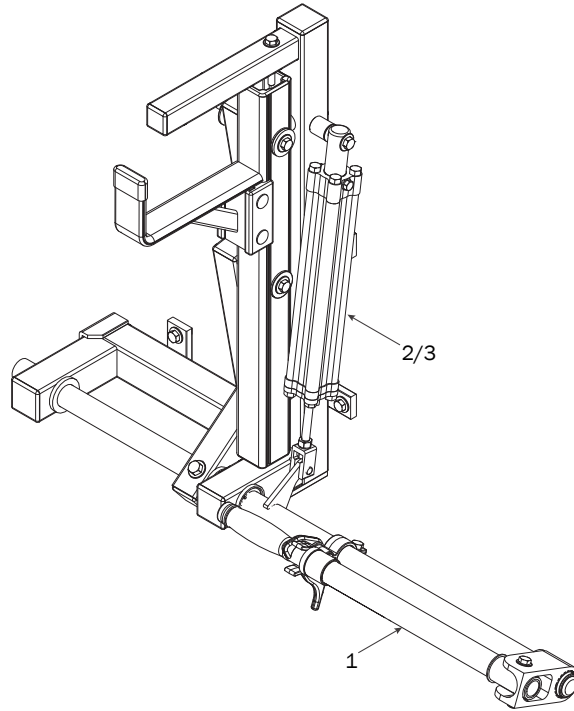
0.4 Torque to 90 in-lbs



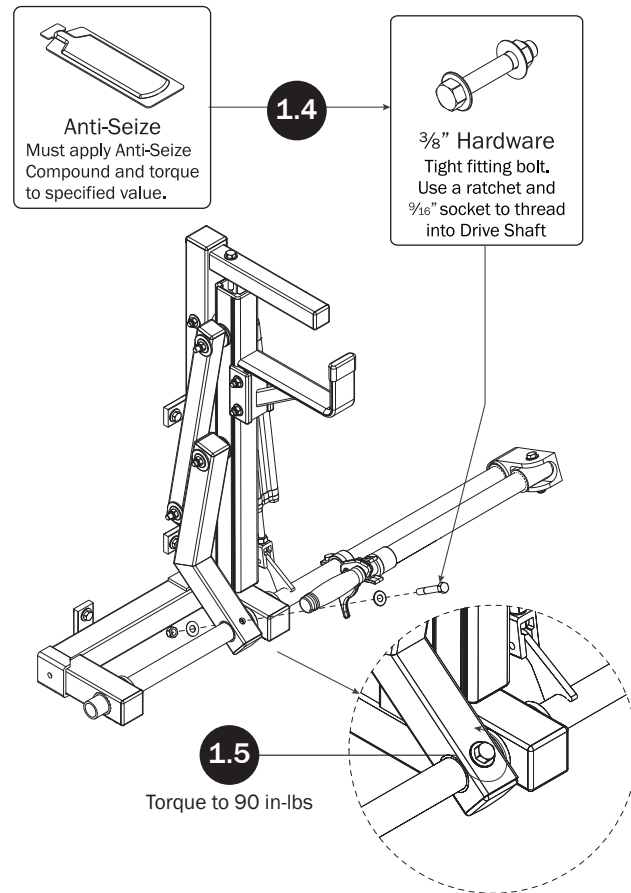
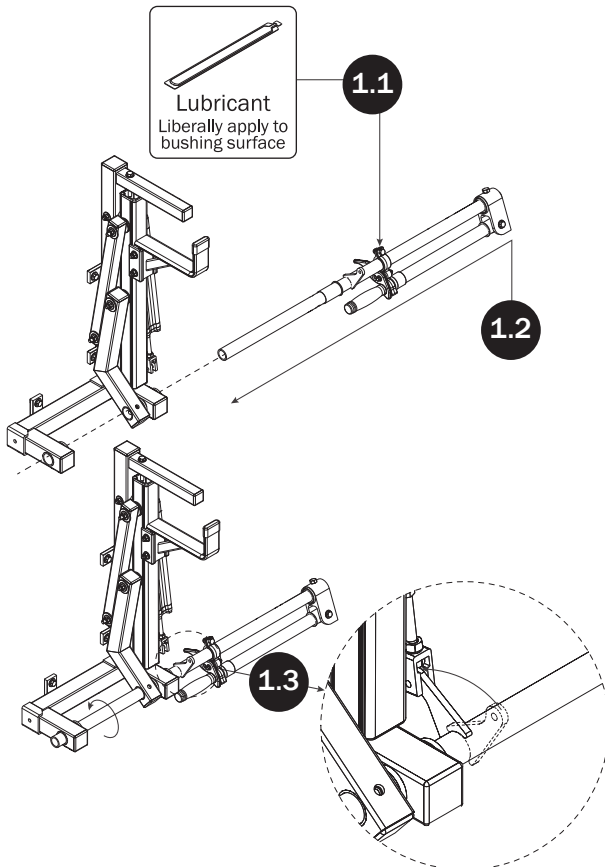
Mounting Hardware (8X)



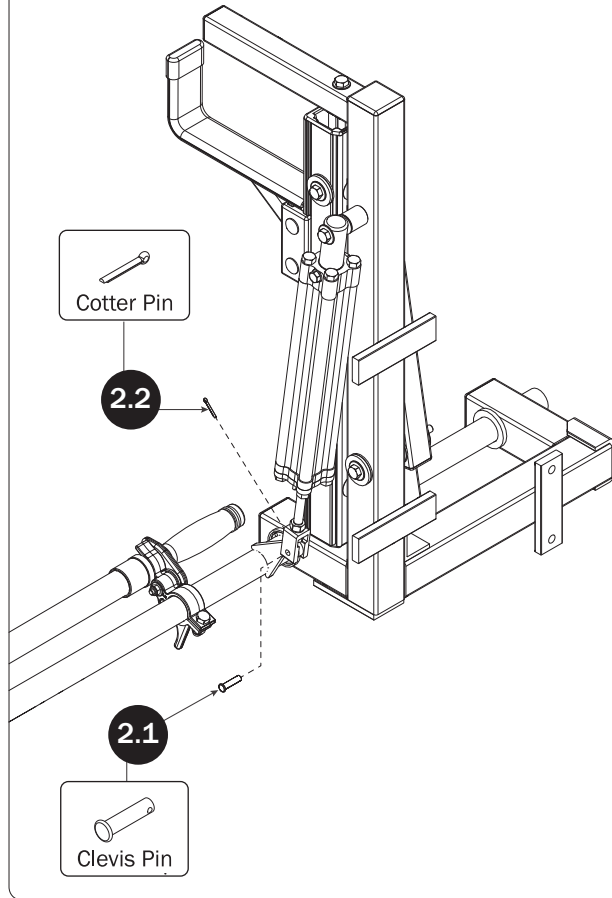
LEFT ROTATION ASSEMBLY SEQUENCE



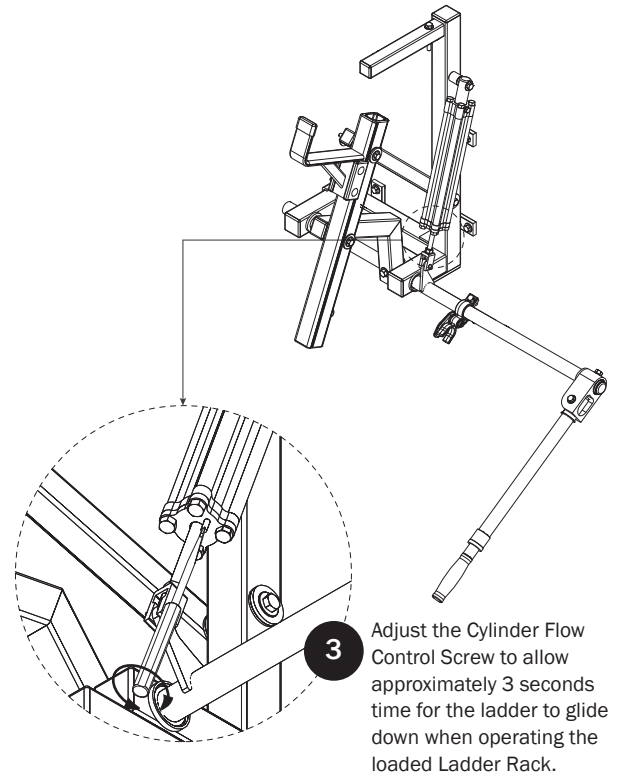
REAR DRIVE SHAFT



CYLINDER HARDWARE



CYLINDER ADJUSTMENT



Page Intentionally Left Blank

