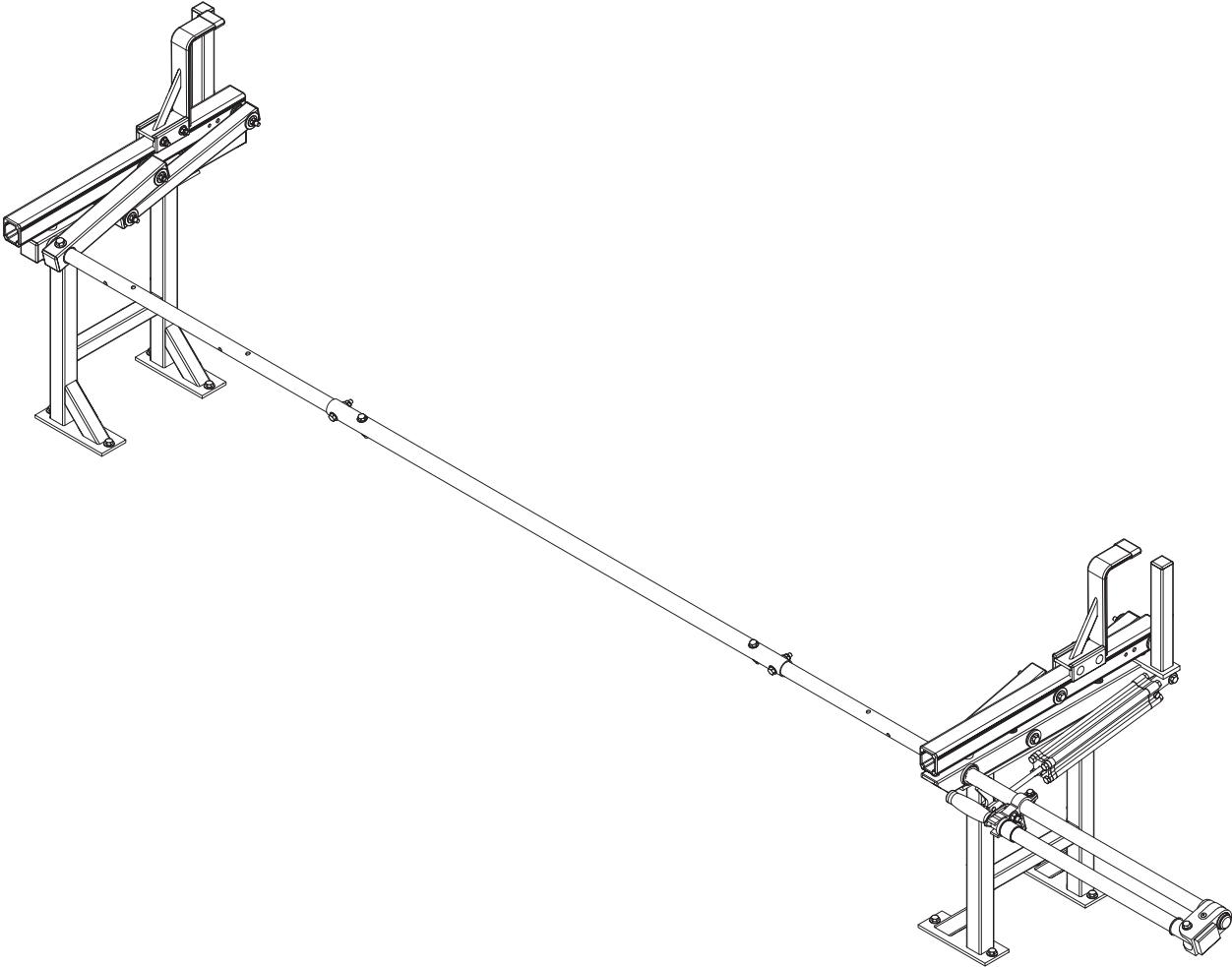


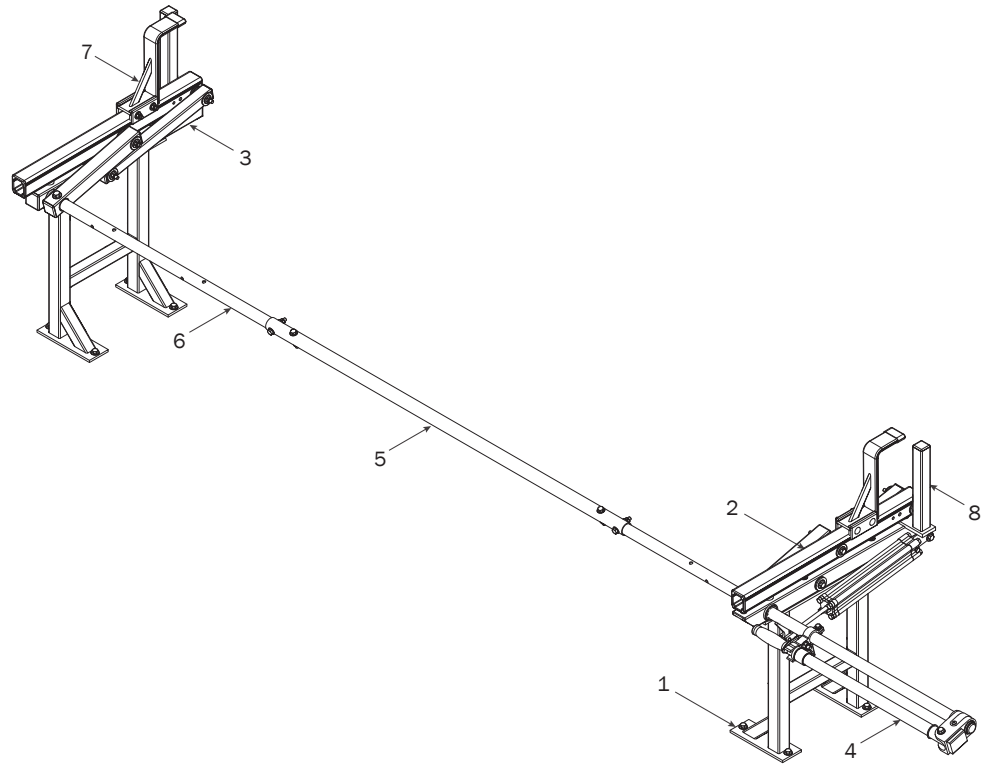
PRIME DESIGN™

A Safe Fleet Brand

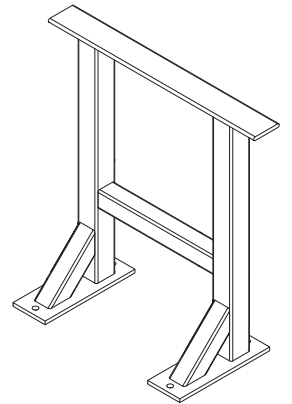


URX 002-FA

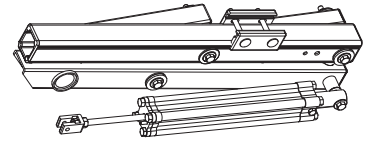
CONTENTS OVERVIEW



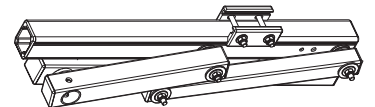
1—Utility Base Standing Mount..... (Qty 2)



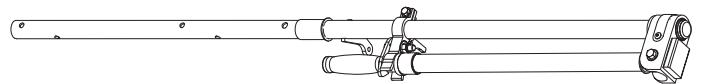
2—Rear Rotation Assembly..... (Qty 1)



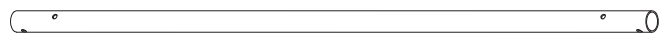
3—Front Rotation Assembly..... (Qty 1)



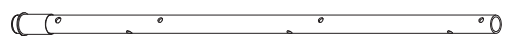
4—Rear Drive Shaft..... (Qty 1)
Left Hand, B4 Version, 50.00"



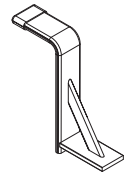
5—Connecting Bar..... (Qty 1)
48.00"



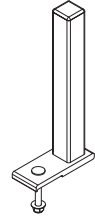
6—Front Drive Shaft..... (Qty 1)
B Version, 35.75"



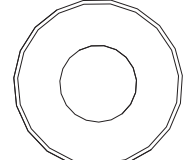
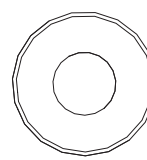
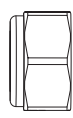
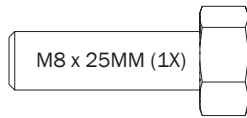
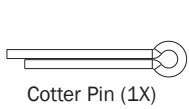
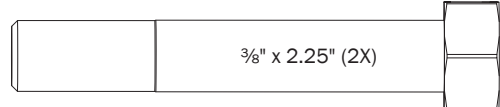
7-Z Post (Qty 2)
Adjustable, 7.25"



8-L Post (Qty 2)
9.25"



HKT-8163-Rotation Hardware Kit

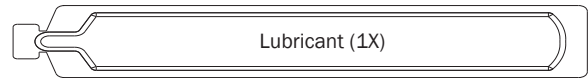
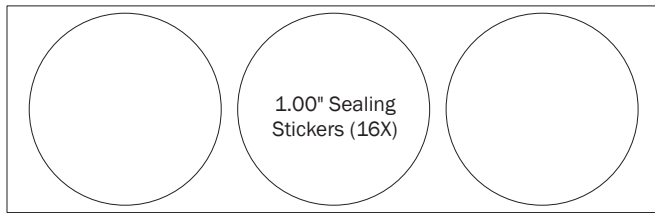


M8 Lock Nut (5X)

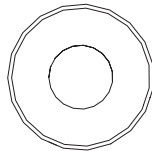
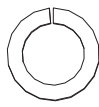
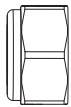
3/8" Lock Nut (2X)

5/16" Flat Washer (10X)

3/8" Flat Washer (4X)



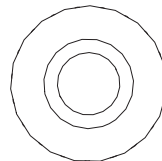
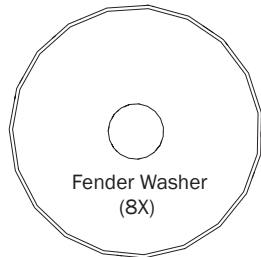
HKT-0122 Mounting Hardware Kit



Lock Nut (12X)

Lock Washer (4X)

Flat Washer (8X)



Neoprene Washer (8X)

Fender Washer (8X)

Sealing Washer (8X)

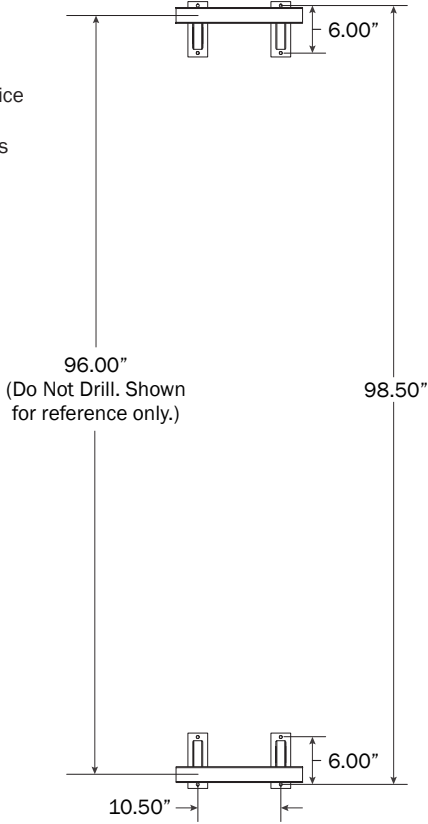
Anti-Seize (1X)



UTB-2318 MOUNTING BRACKETS
BRACKET PRE-ASSEMBLY

0.1

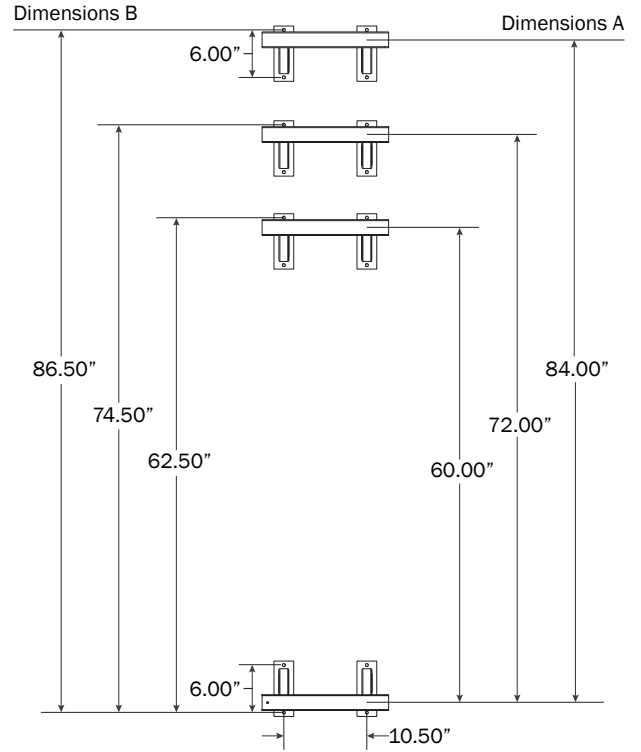
Drill holes into the Service Body mounting location according to dimensions shown for 8.00 ft rack configuration.



0.2

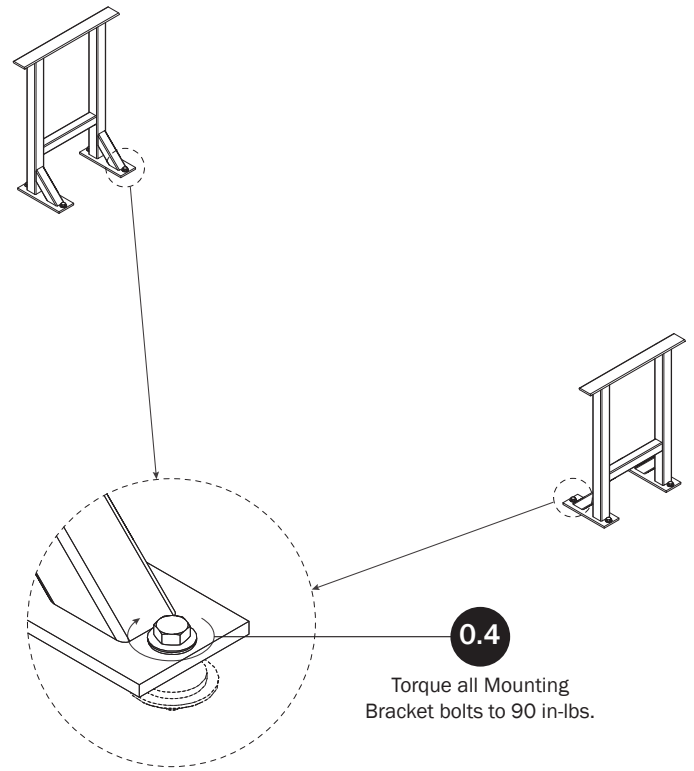
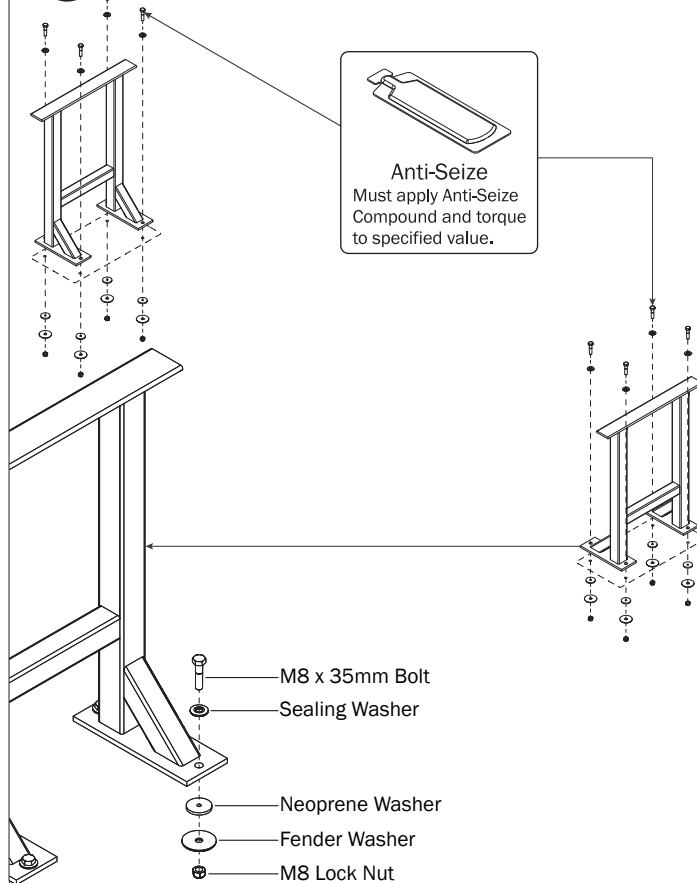
Dimensions shown below are for 5' (60.00"), 6' (72.00"), and 7' (84.00") spacing.

Dimensions A are measured from center to center of top Mounting Rail. Dimensions B are measured from outside Bracket Hole to outside Bracket Hole.



0.3

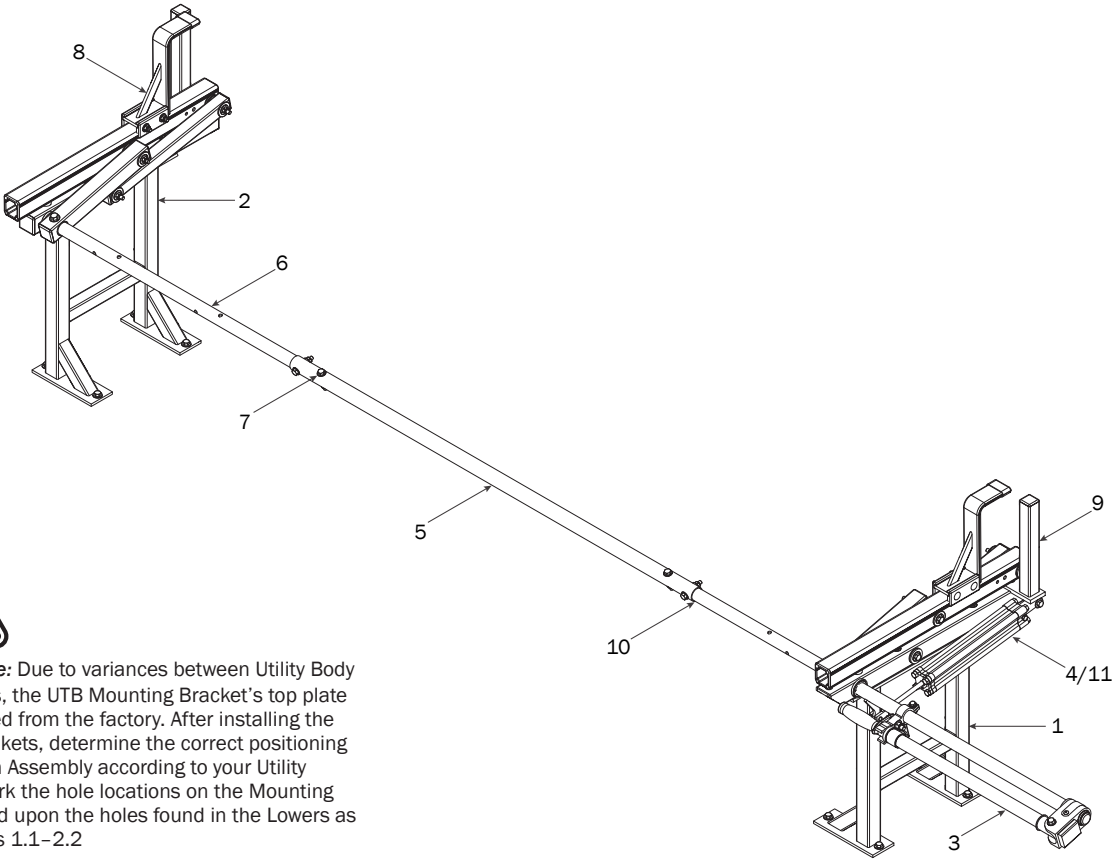
Apply Anti-Seize compound to Mounting Bracket bolts. The shorter bolt assemblies are on the outside as shown.



0.4

Torque all Mounting Bracket bolts to 90 in-lbs.

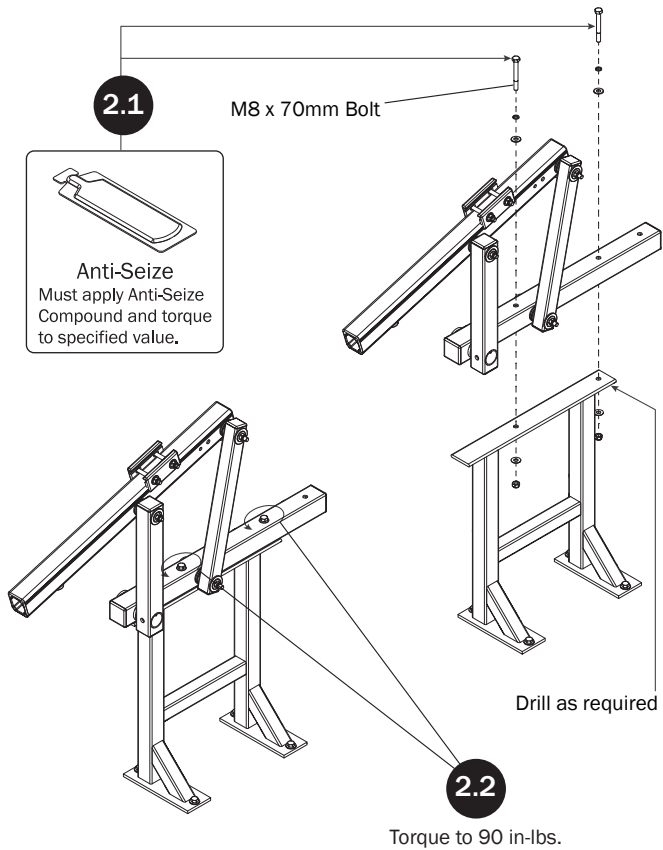
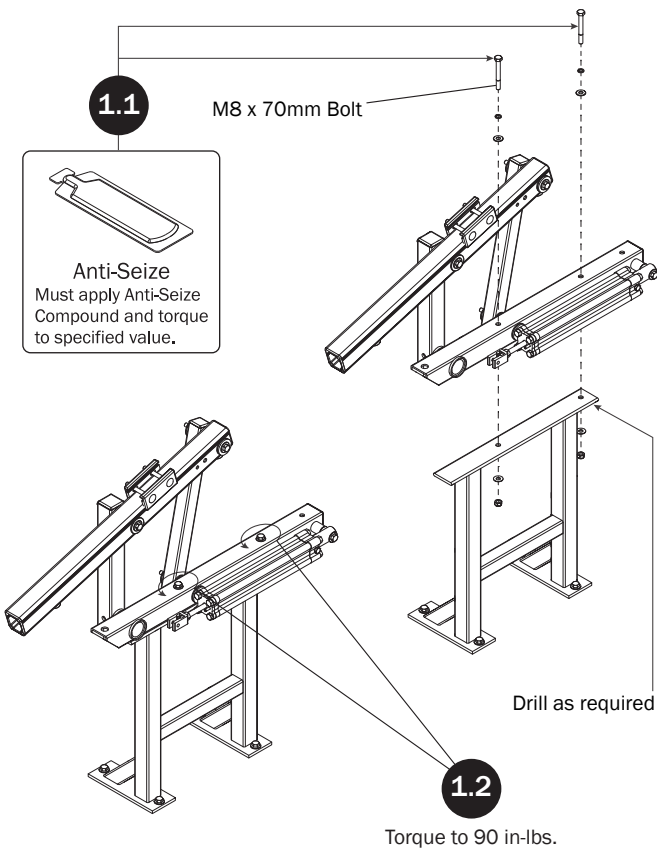
LEFT ROTATION ASSEMBLY SEQUENCE



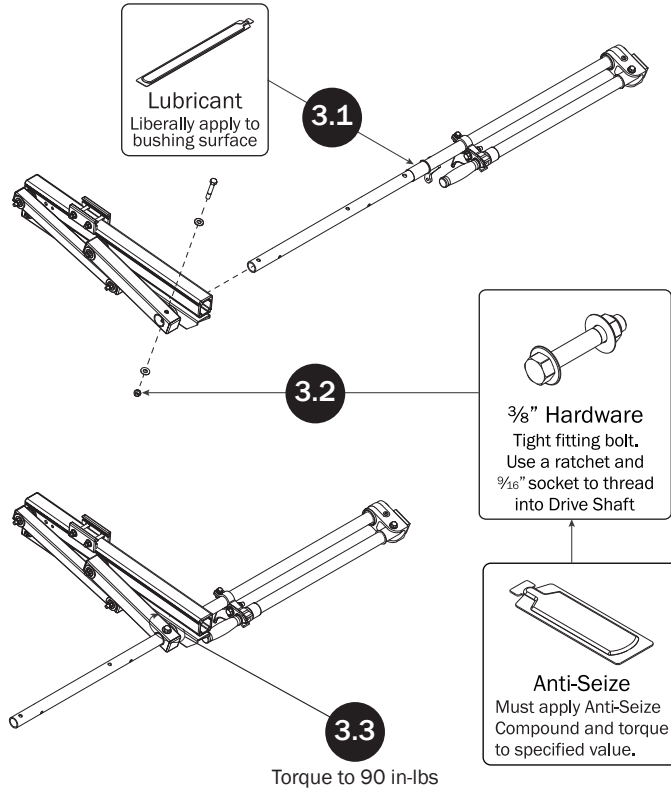
Installer's Note: Due to variances between Utility Body manufacturers, the UTB Mounting Bracket's top plate comes undrilled from the factory. After installing the Mounting Brackets, determine the correct positioning of the Rotation Assembly according to your Utility Body, then mark the hole locations on the Mounting Brackets based upon the holes found in the Lowers as shown in Steps 1.1-2.2

REAR ROTATION ASSEMBLY

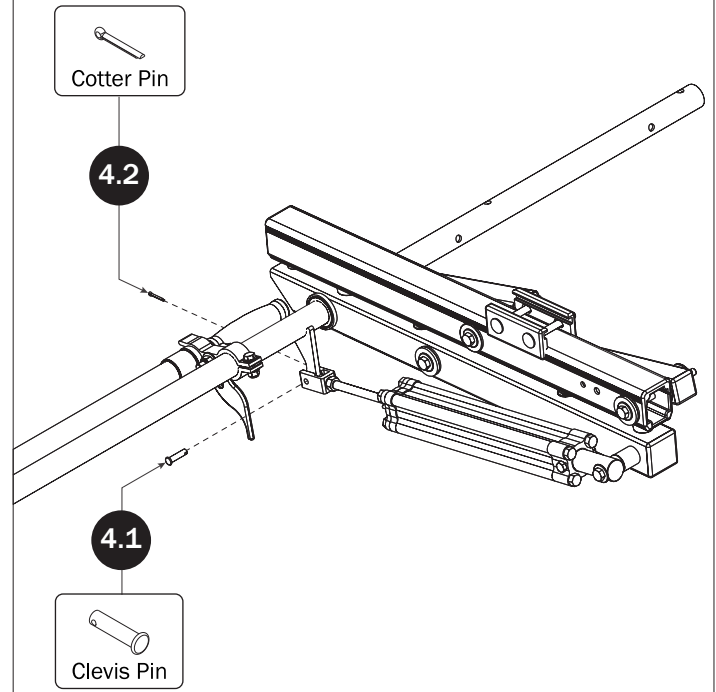
FRONT ROTATION ASSEMBLY



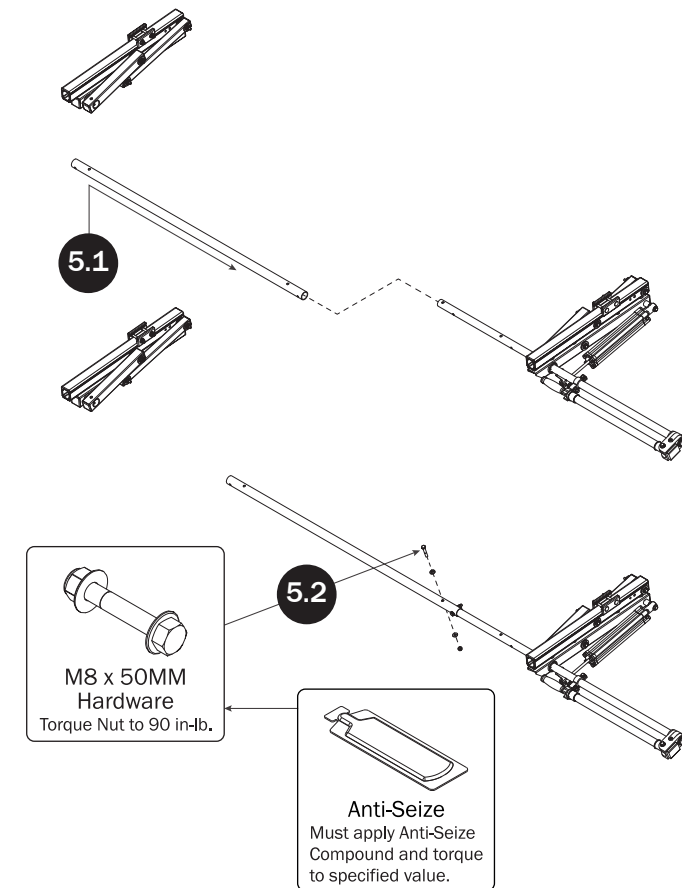
REAR DRIVE SHAFT



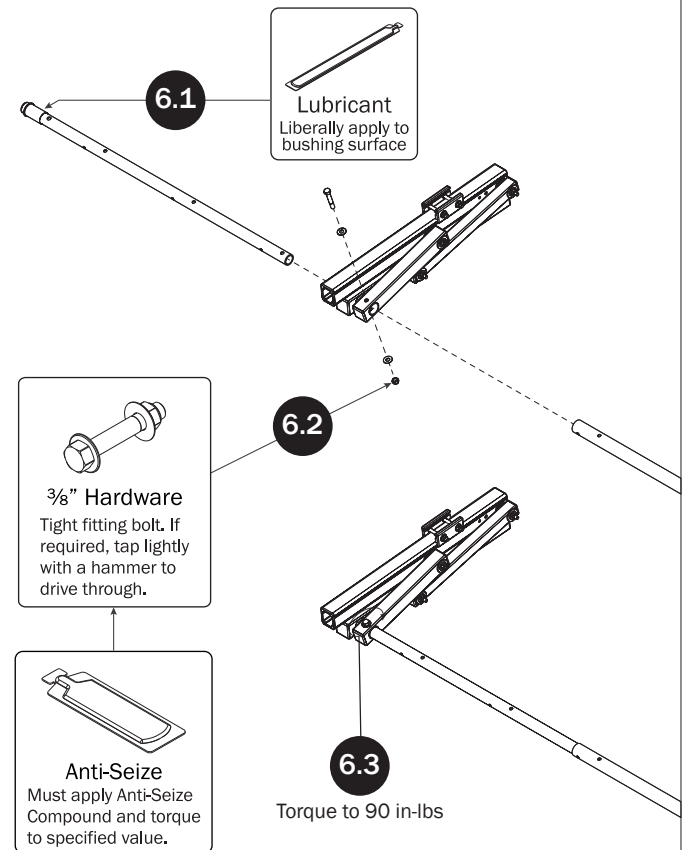
CYLINDER HARDWARE



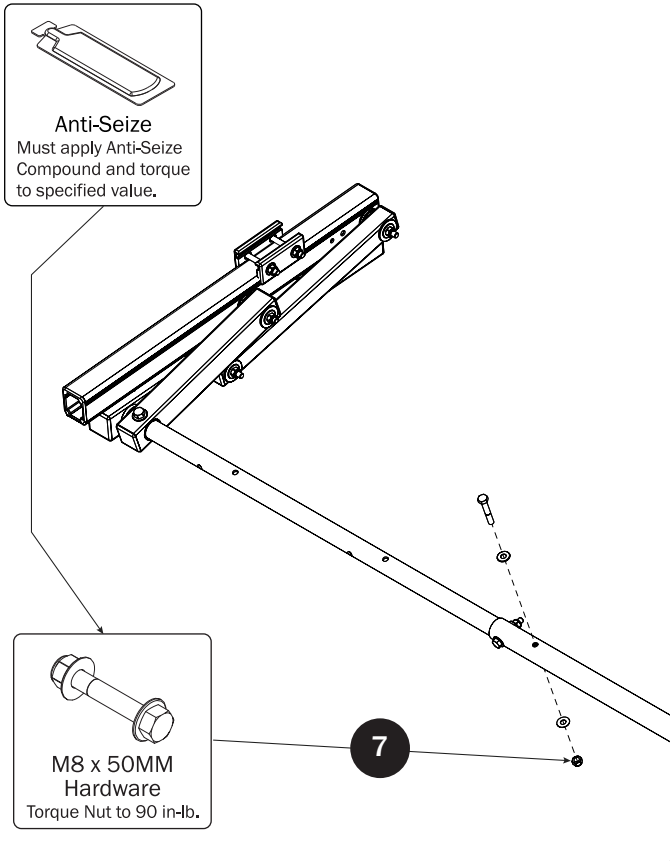
CONNECTING BAR



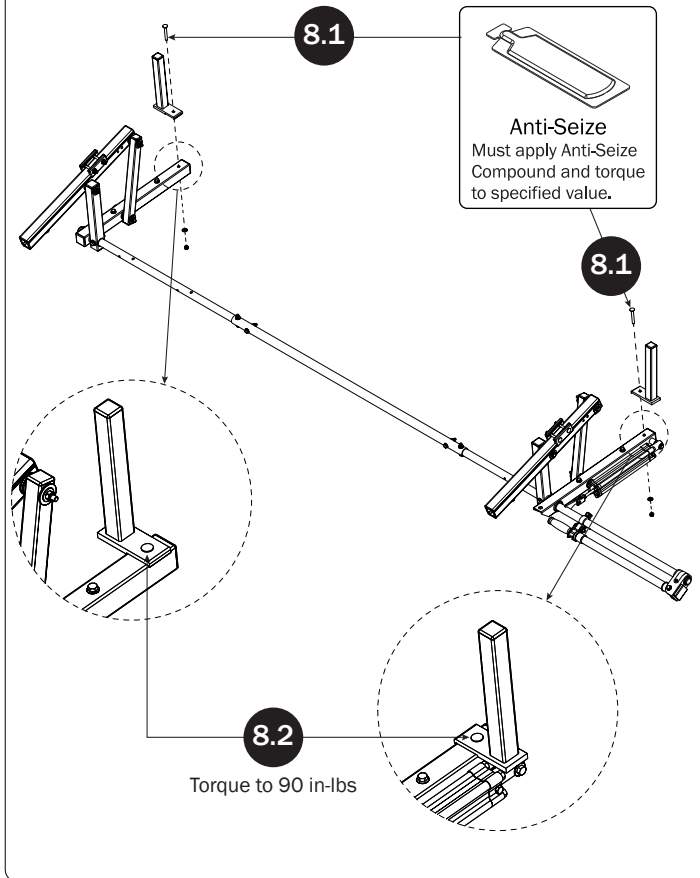
FRONT DRIVE SHAFT



CONNECTING BAR FASTENERS

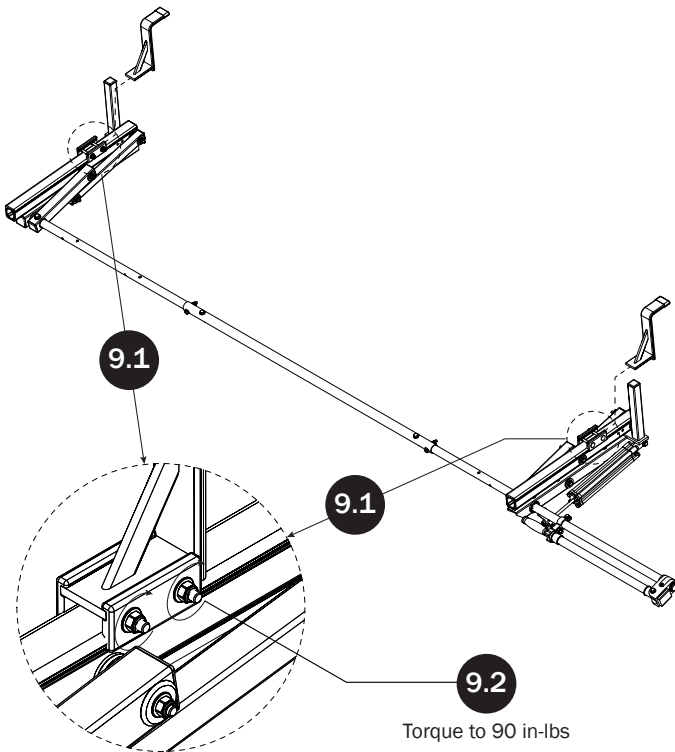


L POSTS

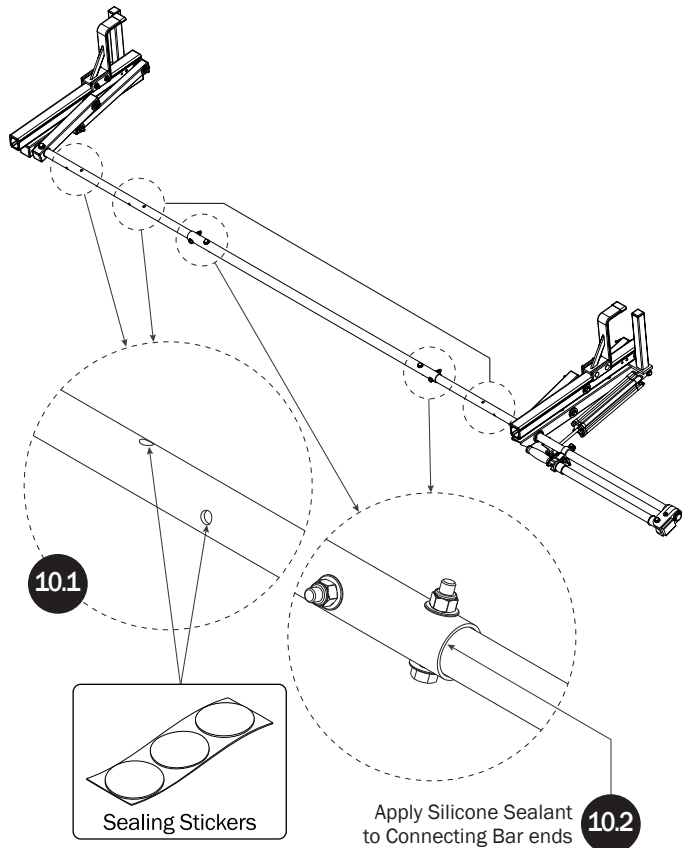


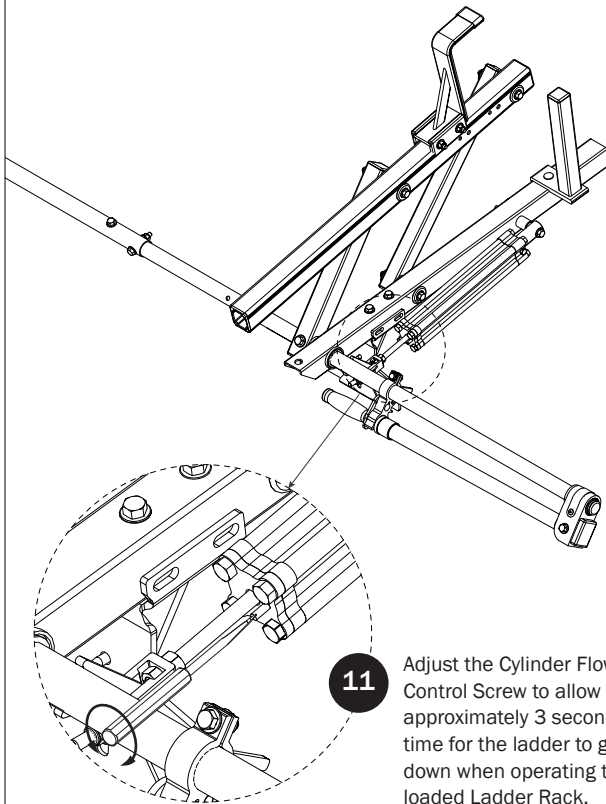
Z POSTS

SEE QUICK START GUIDE FOR ADJUSTMENTS



DRIVE SHAFT SEALING



CYLINDER ADJUSTMENT

Adjust the Cylinder Flow Control Screw to allow approximately 3 seconds time for the ladder to glide down when operating the loaded Ladder Rack.

USAM-URX002E-US01 Rev-C 0618