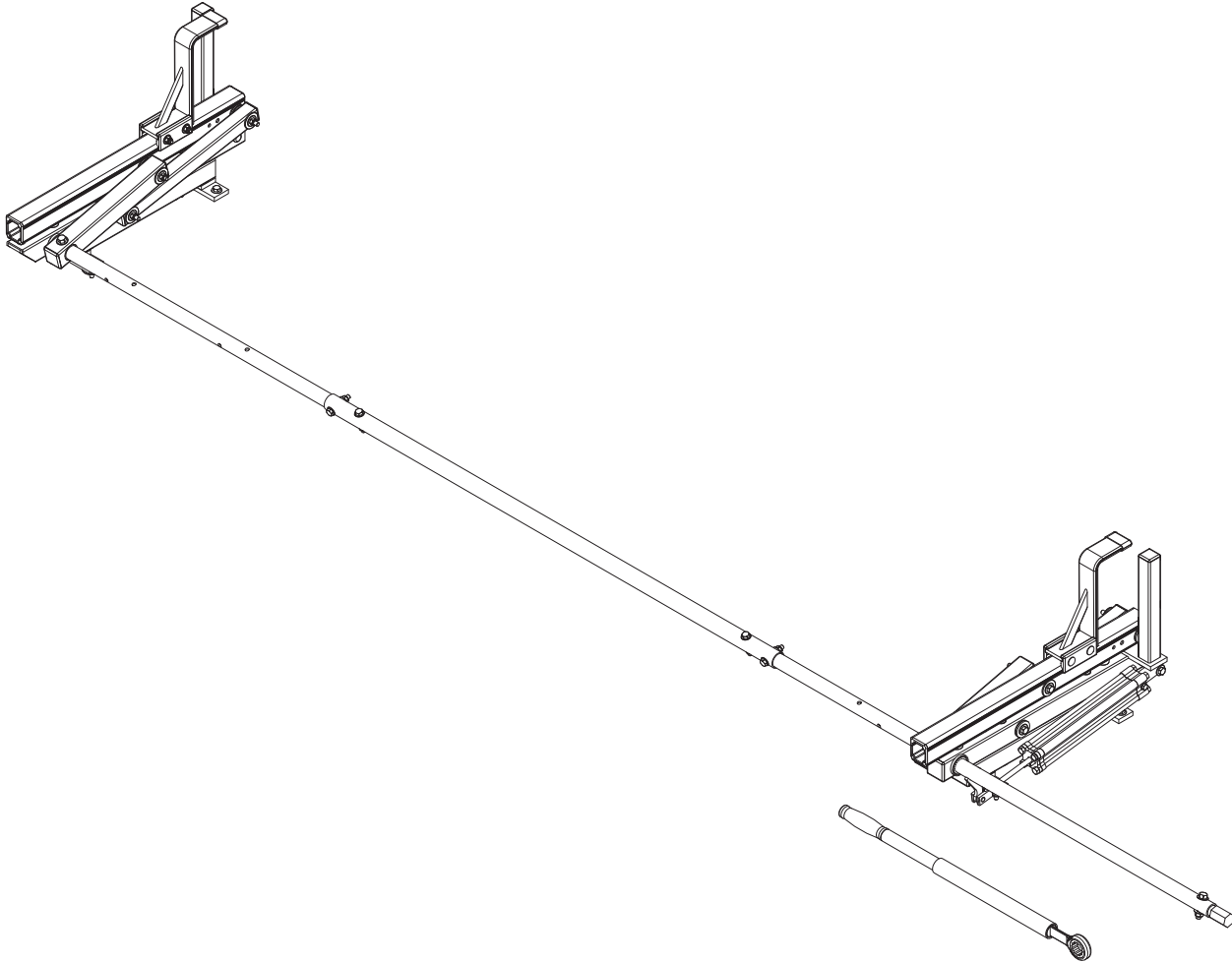


PRIME DESIGN™

A Safe Fleet Brand

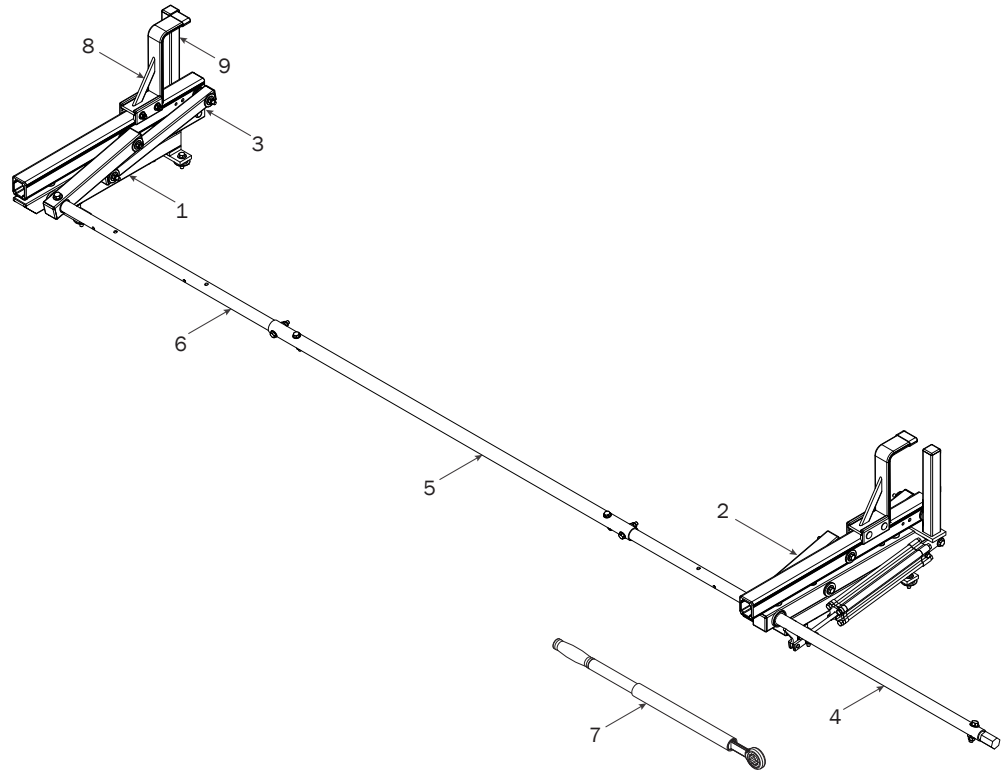


URX

PRIME DESIGN, A SAFE FLEET BRAND

Address: 580 Opperman Drive, Eagan, MN 55123 • Toll Free: 1.8.PRIME.RACK
Fax: 651-552-1799 • Email: info@primedesign.net • Website: www.primedesign.net

CONTENTS OVERVIEW



1—Utility Base Standing Mount..... (Qty 2)

2—Rear Rotation Assembly..... (Qty 1)

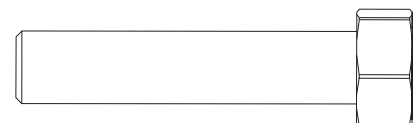
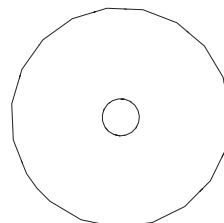
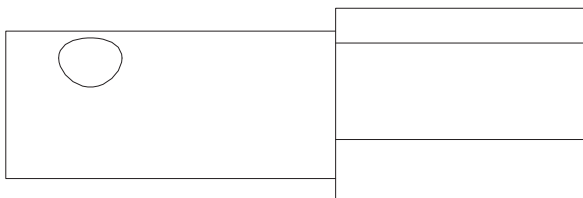
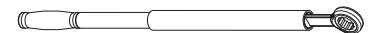
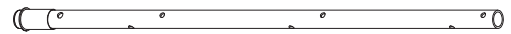
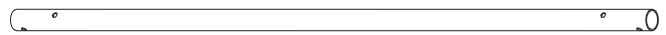
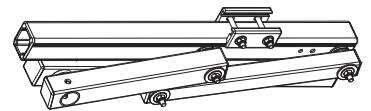
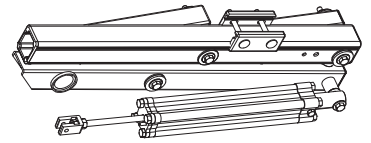
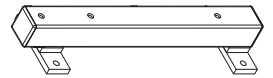
3—Front Rotation Assembly..... (Qty 1)

4—Rear Drive Shaft..... (Qty 1)
Left Hand, B4 Version, 50.00"

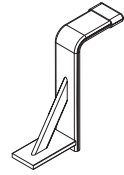
5—Connecting Bar..... (Qty 1)
48.00"

6—Front Drive Shaft..... (Qty 1)
B Version, 35.75"

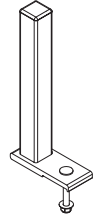
7—Ratcheting Handle Assembly (Qty 1)
With Hardware



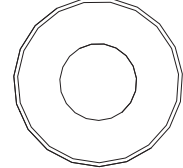
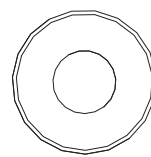
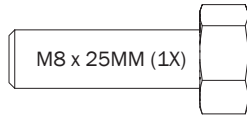
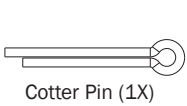
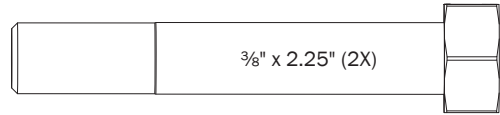
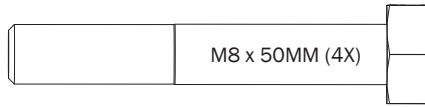
8—Z Post (Qty 2)
Adjustable, 7.25"



9—L Post (Qty 2)
9.25"



HKT-8163-Rotation Hardware Kit

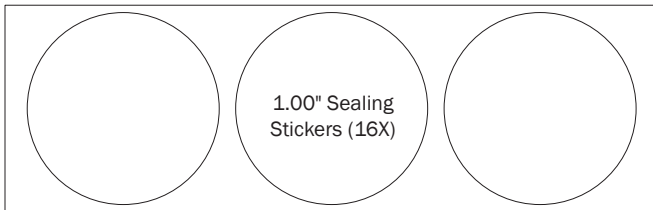


M8 Lock Nut (5X)

3/8" Lock Nut (2X)

5/16" Flat Washer (10X)

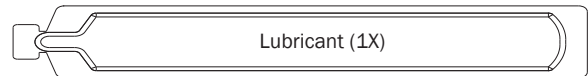
3/8" Flat Washer (4X)



1.00" Sealing Stickers (16X)

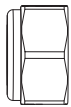


Anti-Seize (1X)

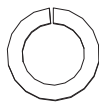


Lubricant (1X)

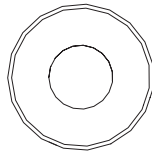
HKT-0122 Mounting Hardware Kit



Lock Nut (12X)



Lock Washer (4X)



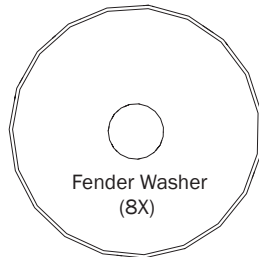
Flat Washer (8X)



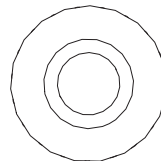
M8 x 70MM (4X)



Neoprene Washer (8X)



Fender Washer (8X)



Sealing Washer (8X)



M8 x 35MM (8X)

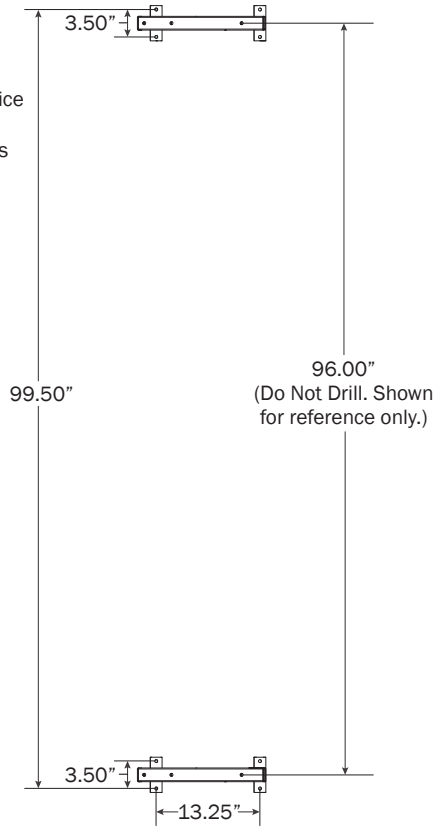


Anti-Seize (1X)

UTB-2316 MOUNTING BRACKETS
BRACKET PRE-ASSEMBLY

0.1

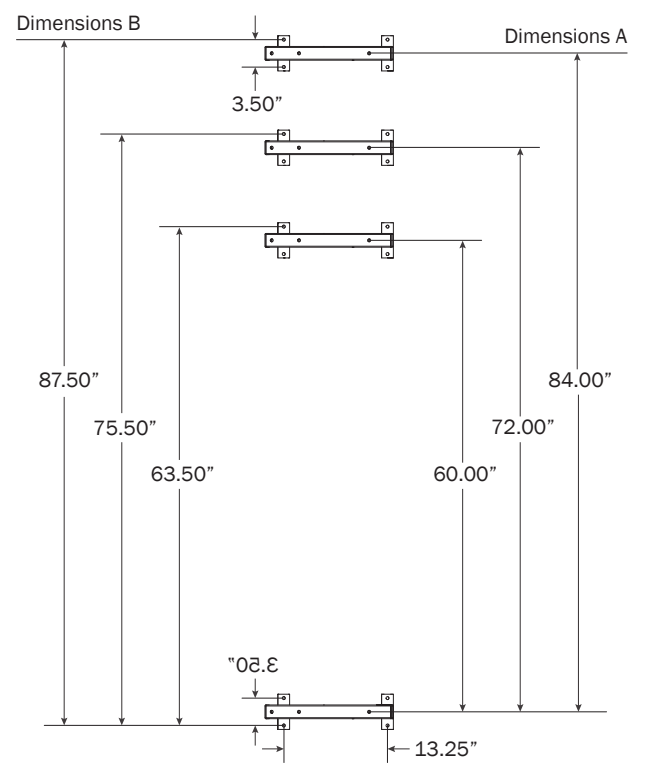
Drill holes into the Service Body mounting location according to dimensions shown for 8.00 ft rack configuration.



0.2

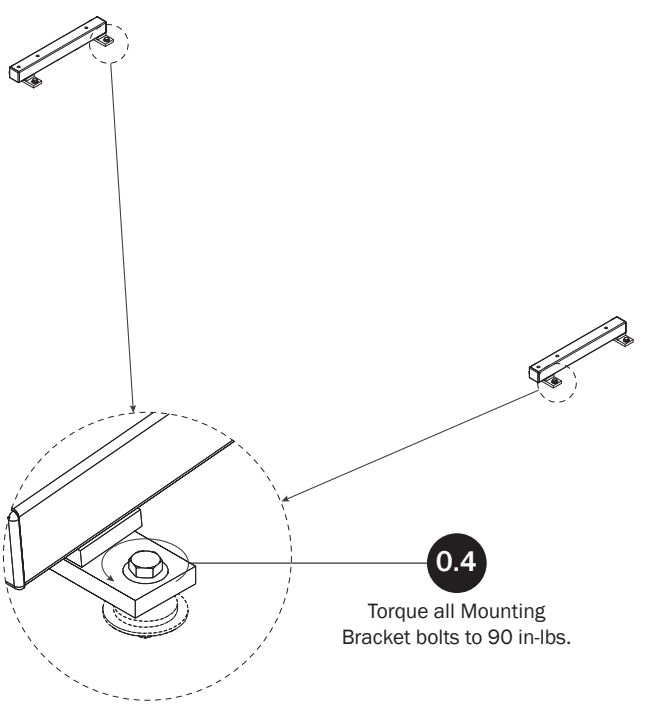
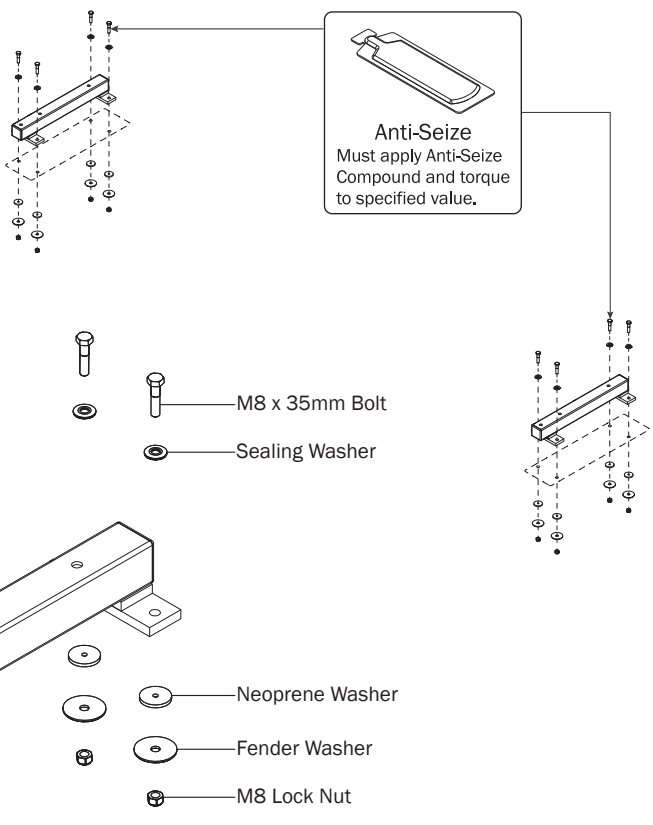
Dimensions shown below are for 5' (60.00"), 6' (72.00"), and 7' (84.00") spacing.

Dimensions A are measured from center to center of top Mounting Rail. Dimensions B are measured from outside Bracket Hole to outside Bracket Hole.

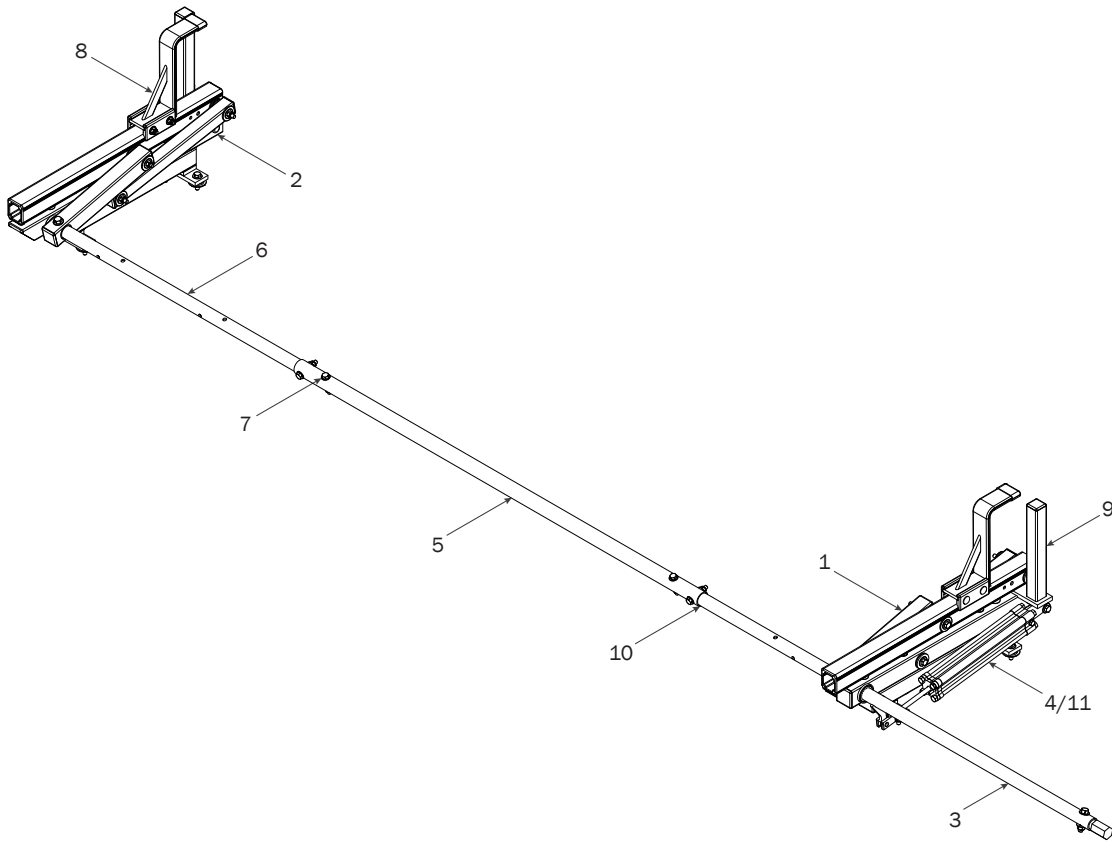


0.3

Apply Anti-Seize compound to Mounting Bracket bolts. The shorter bolt assemblies are on the outside as shown.



LEFT ROTATION ASSEMBLY SEQUENCE

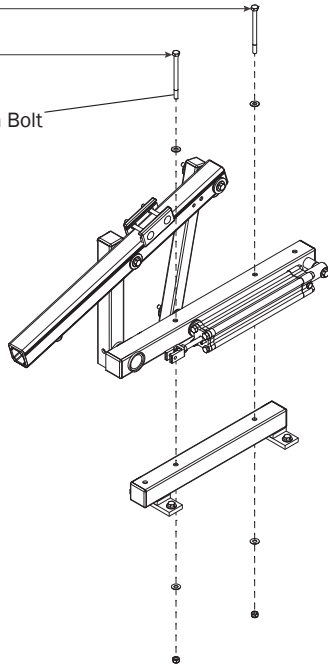


REAR ROTATION ASSEMBLY

Torque to 90 in-lbs.

1

M8 x 110mm Bolt

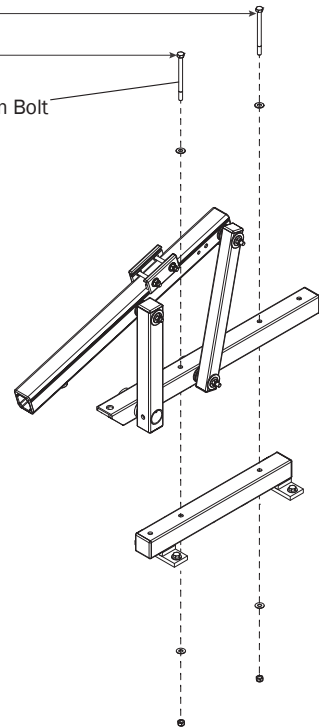


FRONT ROTATION ASSEMBLY

Torque to 90 in-lbs.

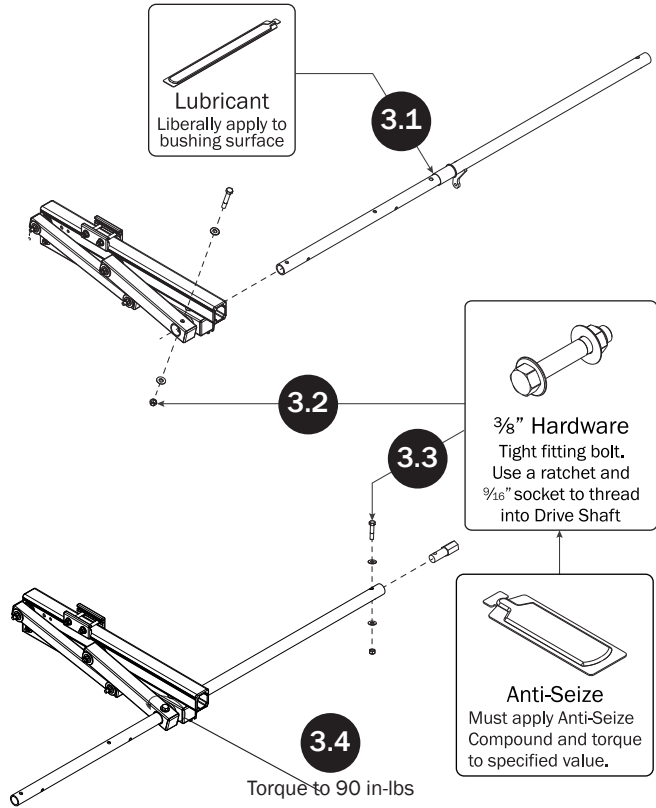
2

M8 x 110mm Bolt

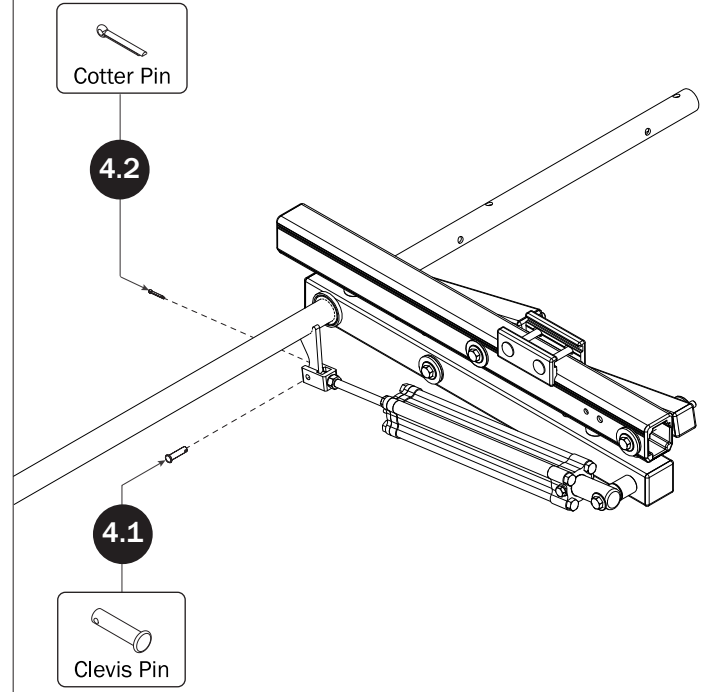


REAR DRIVE SHAFT

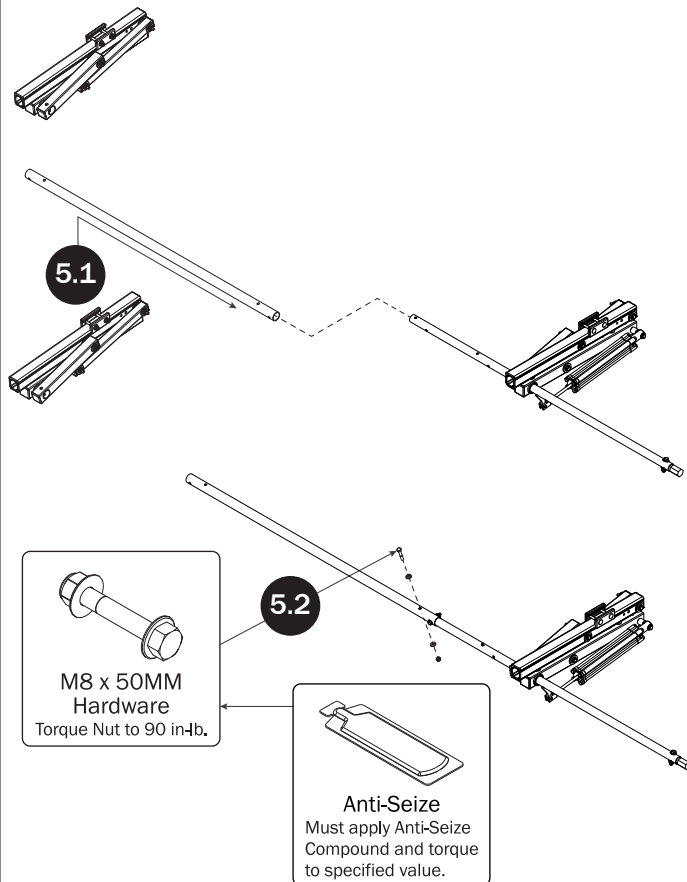
NOTE: For instructional clarity, the Mounting System will not be shown for the remainder of this Assembly Manual.



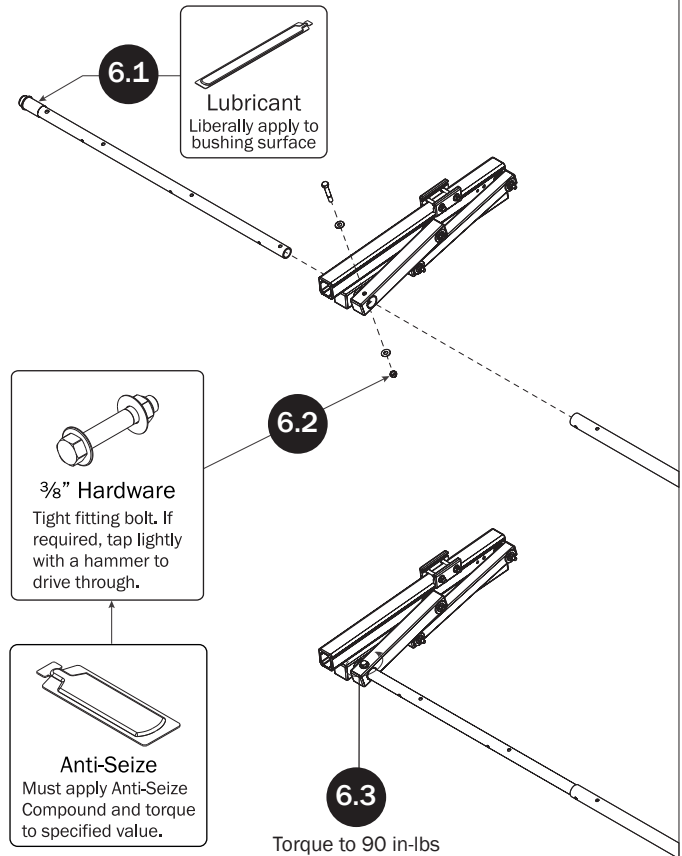
CYLINDER HARDWARE



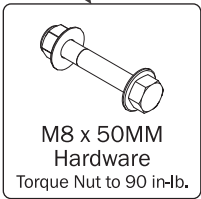
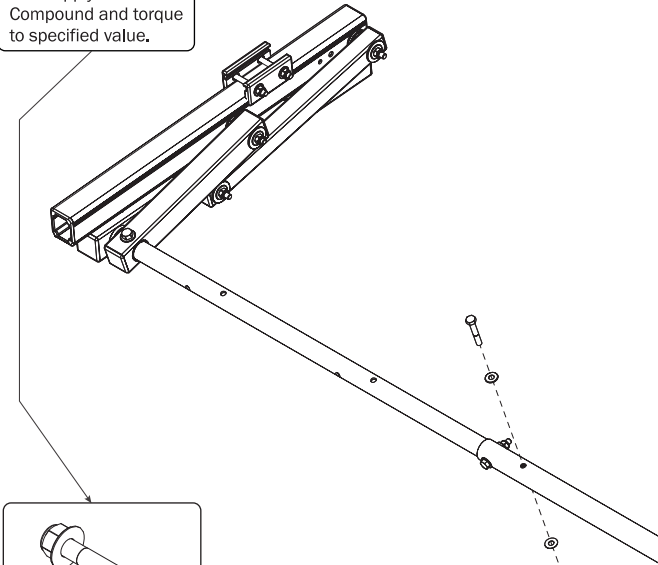
CONNECTING BAR



FRONT DRIVE SHAFT

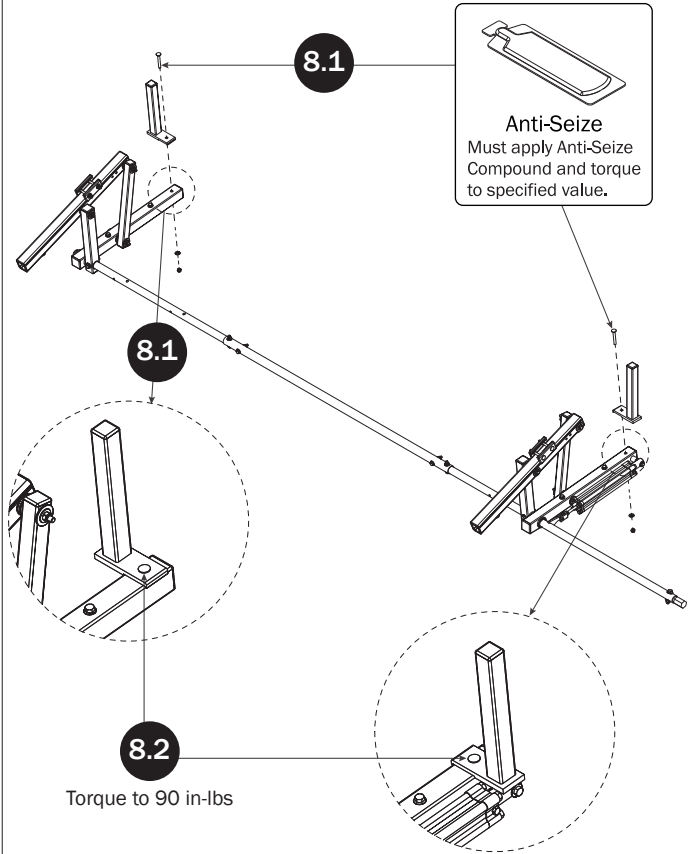
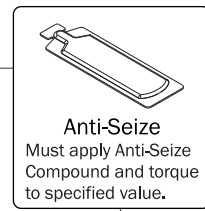


CONNECTING BAR FASTENERS



7

L POSTS



8.1

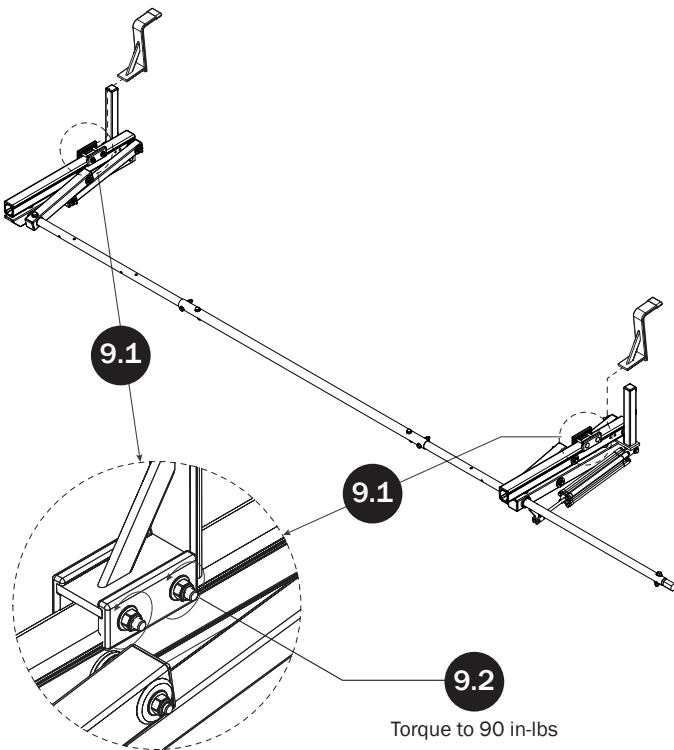
8.1

8.2

Torque to 90 in-lbs

Z POSTS

SEE QUICK START GUIDE FOR ADJUSTMENTS



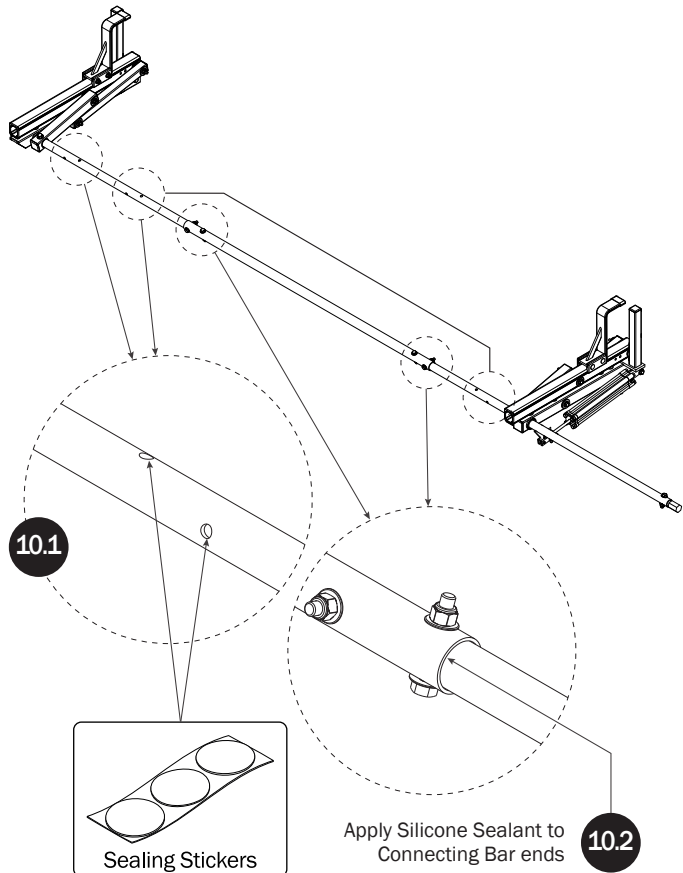
9.1

9.1

9.2

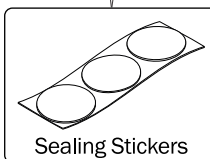
Torque to 90 in-lbs

DRIVE SHAFT SEALING

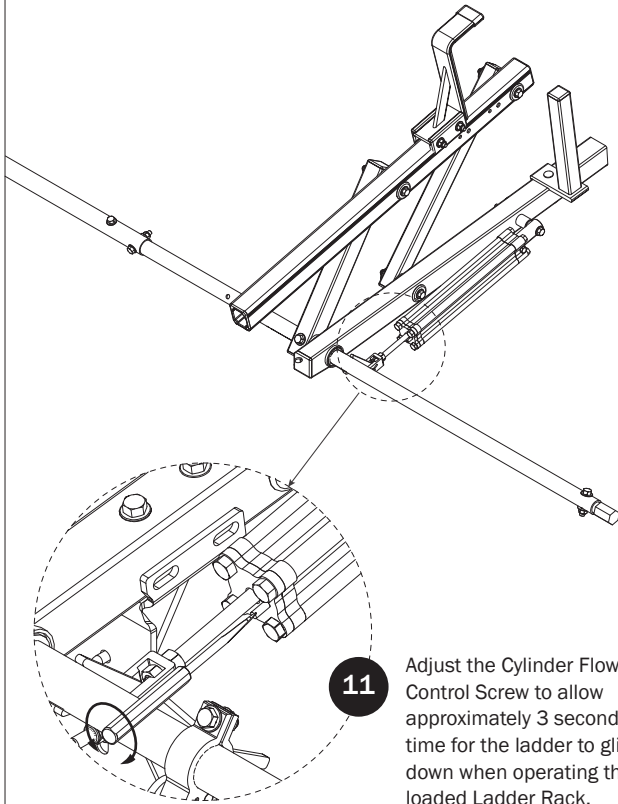


10.1

10.2



Apply Silicone Sealant to
Connecting Bar ends

CYLINDER ADJUSTMENT**11**

Adjust the Cylinder Flow Control Screw to allow approximately 3 seconds time for the ladder to glide down when operating the loaded Ladder Rack.

USAM-URX0010-US01 Rev-A 0618