

PRR-0005

Utility Rack, Elevated

Dimensional Specifications on Page 2

Configuration as shown:

Rotation Left/Rotation Right

w/Bent Handles

Two Crossbars, US Gen4

RAC-1175 & RAC-1176 Auto Clamps

FBM-0031 Elevated Utility Mounting System

Finish: White Powder Coat

Rack Weight (empty): 105.50 lbs

Load specifications as shown:

Maximum Ladder Weight LH..... 75 lbs

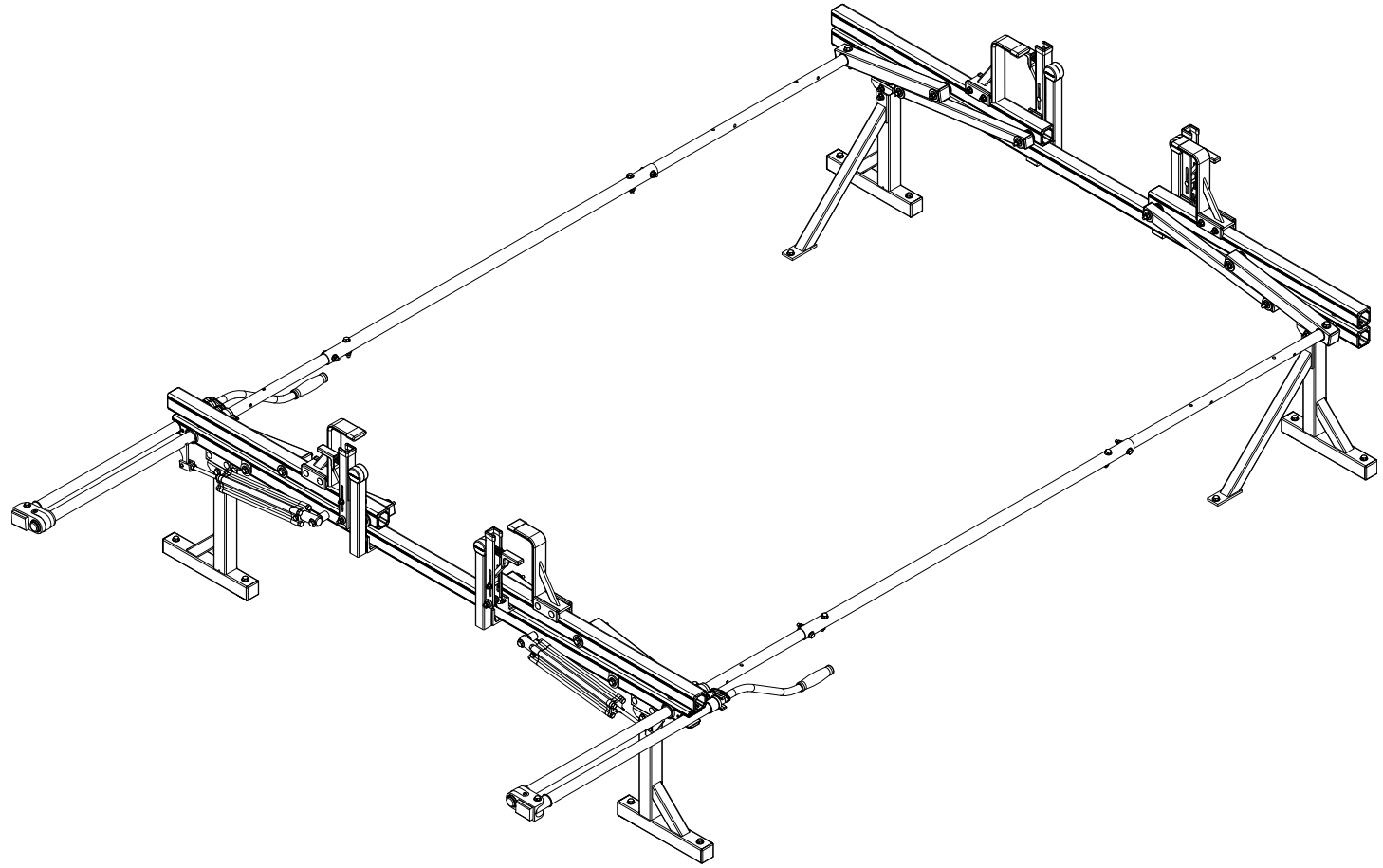
Maximum Ladder Length LH..... 32 ft

Maximum Ladder Section LH 16 ft

Maximum Ladder Weight RH 75 lbs

Maximum Ladder Length RH 32 ft

Maximum Ladder Section RH..... 16 ft

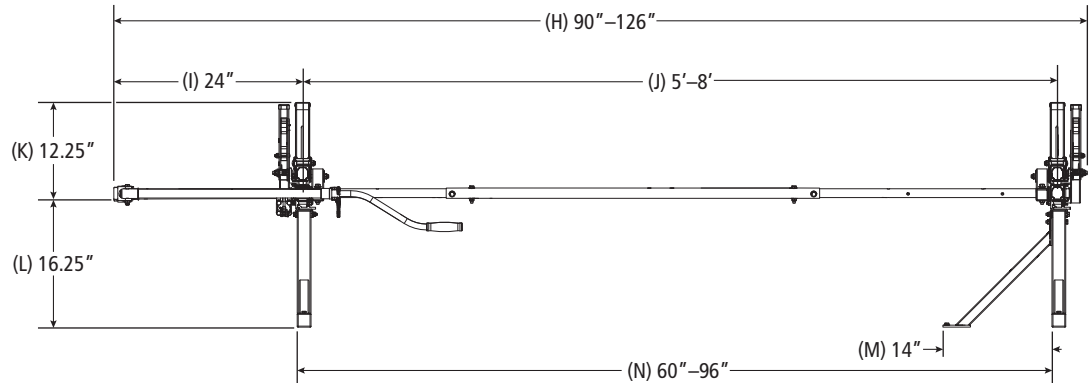
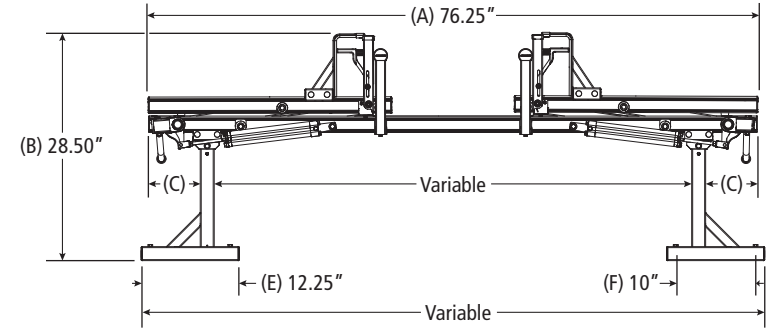
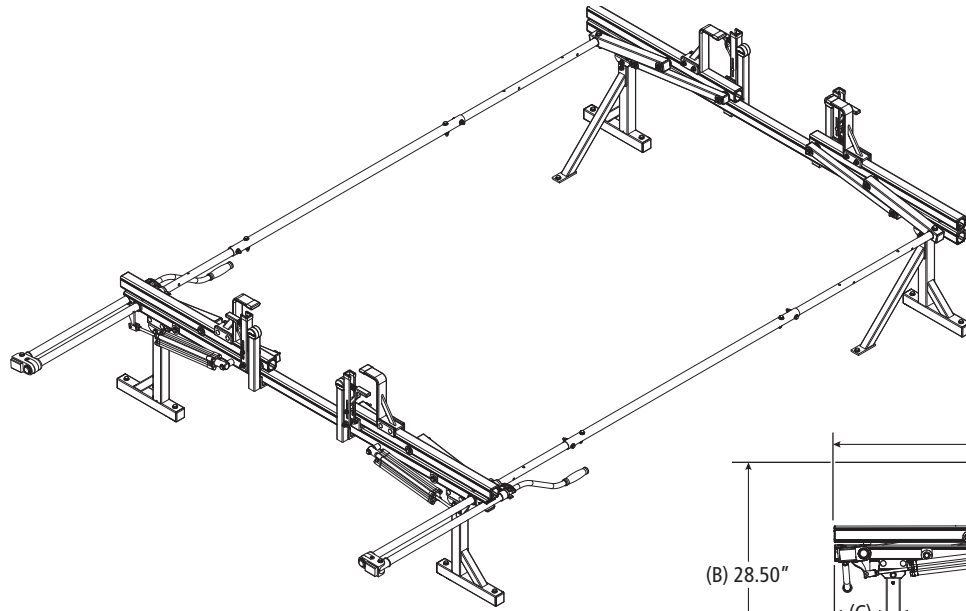


PRR-0005

Utility Rack, Elevated

Approximate dimensions as shown:

| | |
|-----------------------------------|----------|
| A: Rack Width | 76.25" |
| B: Overall Rack Height | 28.50" |
| C: L/R Offset (Even) | Variable |
| D: Mount Spacing L/R | Variable |
| E: Upright Foot Width | 12.25" |
| F: Upright Foot Bolt Spread | 10" |
| G: Mounting Leg Width | Variable |
| H: Rack Length | 90"–126" |
| I: Drive Shaft Offset | 24" |
| J: Crossbar Spacing | 5'–8' |
| K: Rack Height | 12.25" |
| L: Leg Height | 16.25" |
| M: Front Upright Brace | 14" |
| N: Mount Spacing R/F | 60"–96" |



Assembly Manual also available:

PRR-0005

USOV-PRR0005-US01 Rev-C 0218