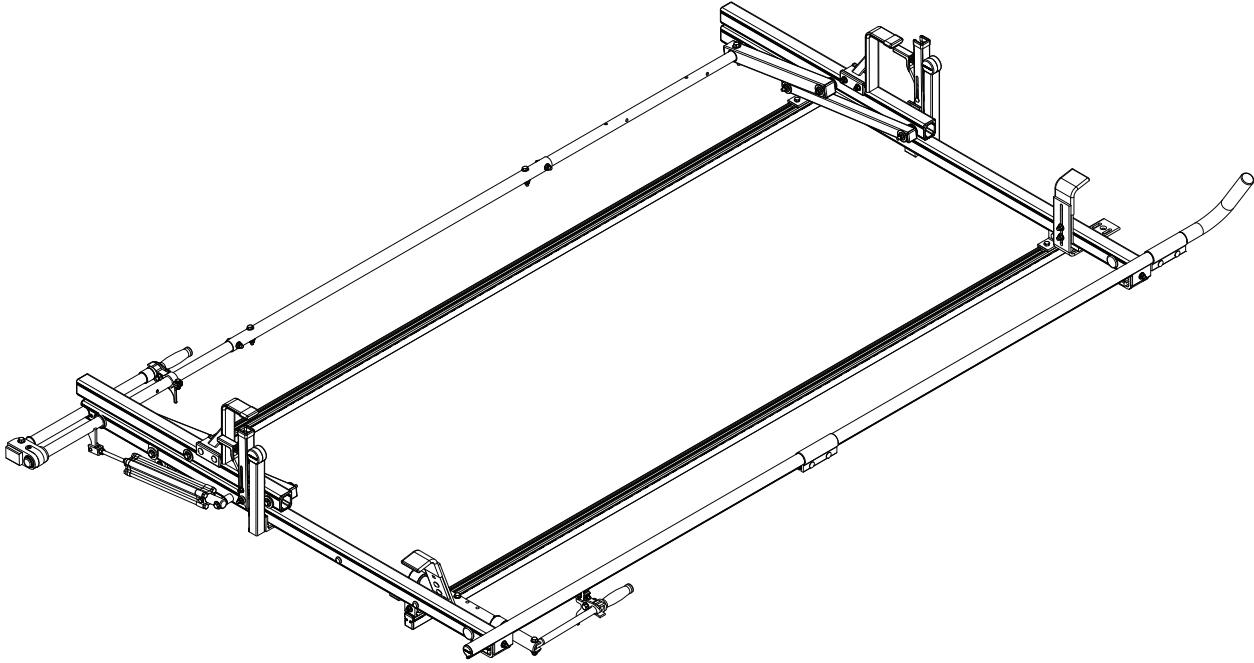


PRIME DESIGN™

A Safe Fleet Brand

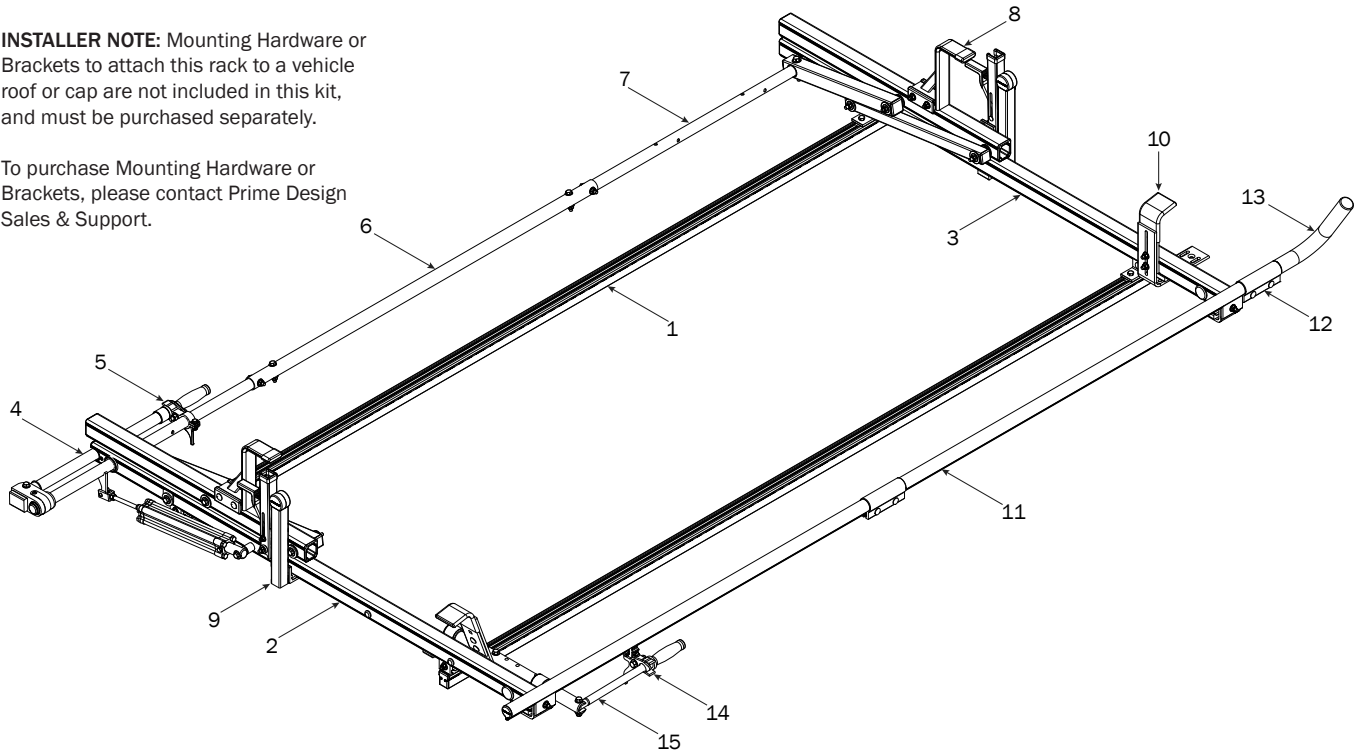


PRC6001

CONTENTS OVERVIEW

INSTALLER NOTE: Mounting Hardware or Brackets to attach this rack to a vehicle roof or cap are not included in this kit, and must be purchased separately.

To purchase Mounting Hardware or Brackets, please contact Prime Design Sales & Support.



1—FBM-0002 (Qty 1)
Channels with hardware



Channels (2X)



Screws (8X)

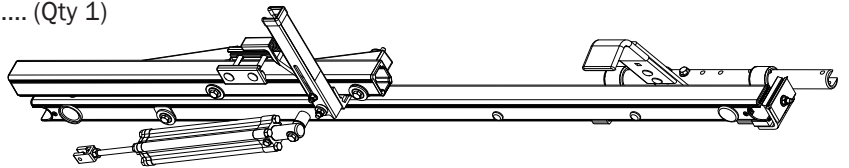


End Caps (4X)

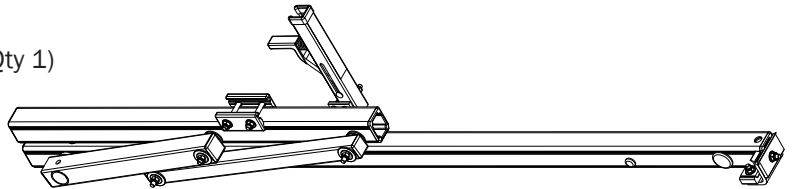


Brackets (4X)

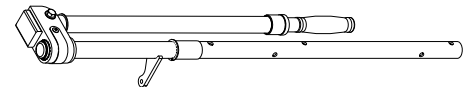
2—Rear Crossbar Assembly..... (Qty 1)



3—Front Crossbar Assembly (Qty 1)



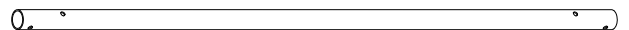
4—Rear Drive Shaft..... (Qty 1)
Left Hand, 34.00"



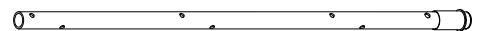
5—Handle Latch Assembly (Qty 1)
Left Hand



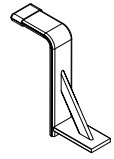
6—Connecting Bar..... (Qty 1)
48.00'



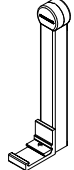
7—Front Drive Shaft (Qty 1)
B Version, 35.75"



8—Z Post (Qty 2)
Adjustable, 7.25"



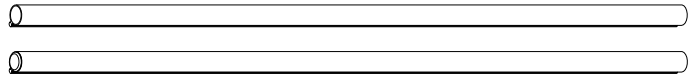
9—L Post..... (Qty 2)
Roller Cap, 9.25"



10—Front Hook Assembly (Qty 1)



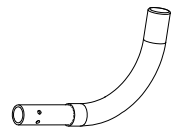
11—Clamp Down Tube (Qty 1)
80.00"



12—Quick Clamp Tube Splice Assembly..... (Qty 1)
5.00"



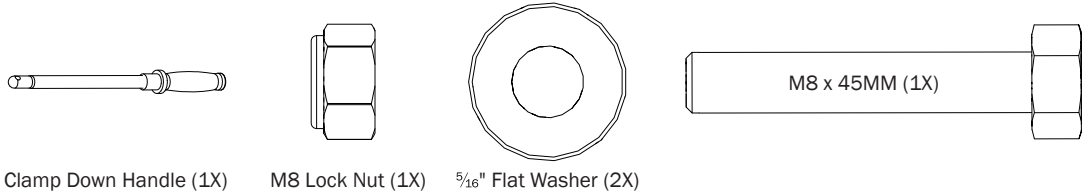
13—Removeable Horn with Cap..... (Qty 1)
15.00"



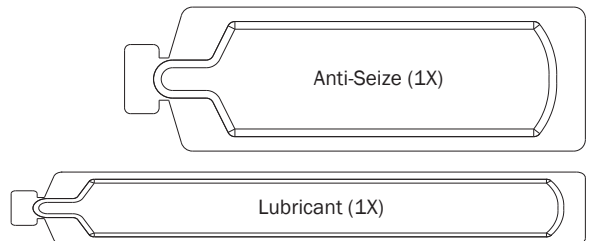
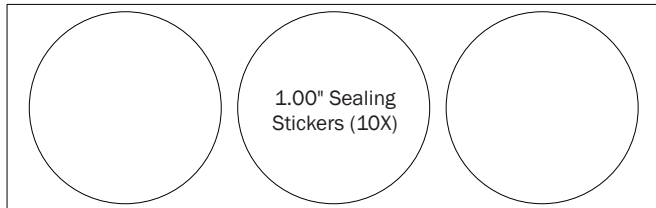
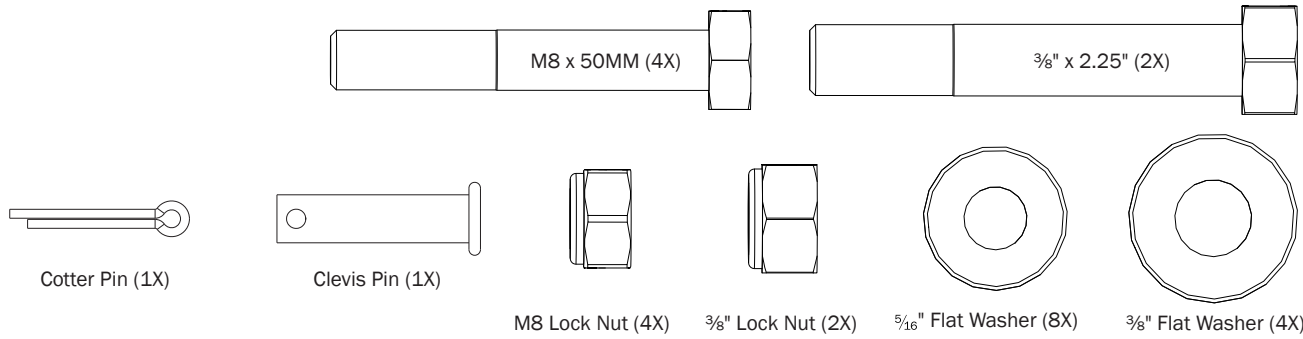
14—Clamp Down Handle Latch Assembly..... (Qty 1)



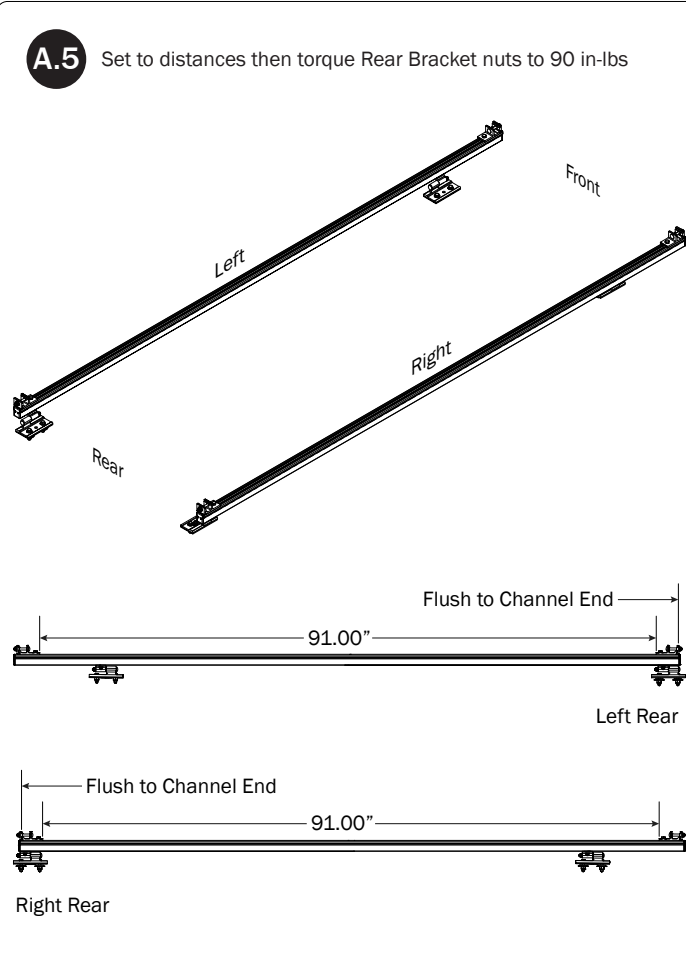
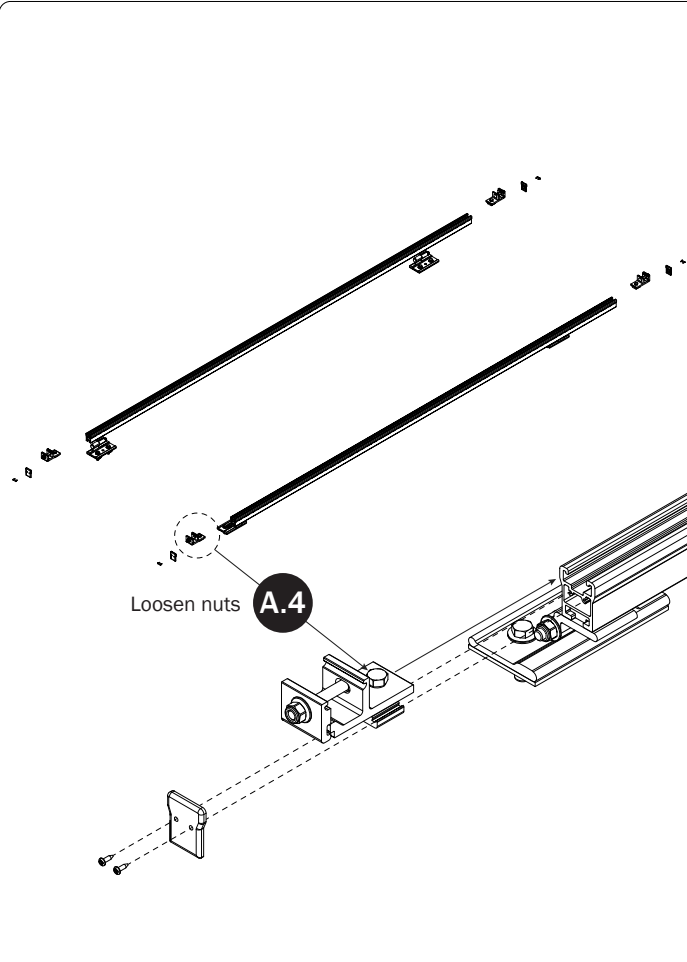
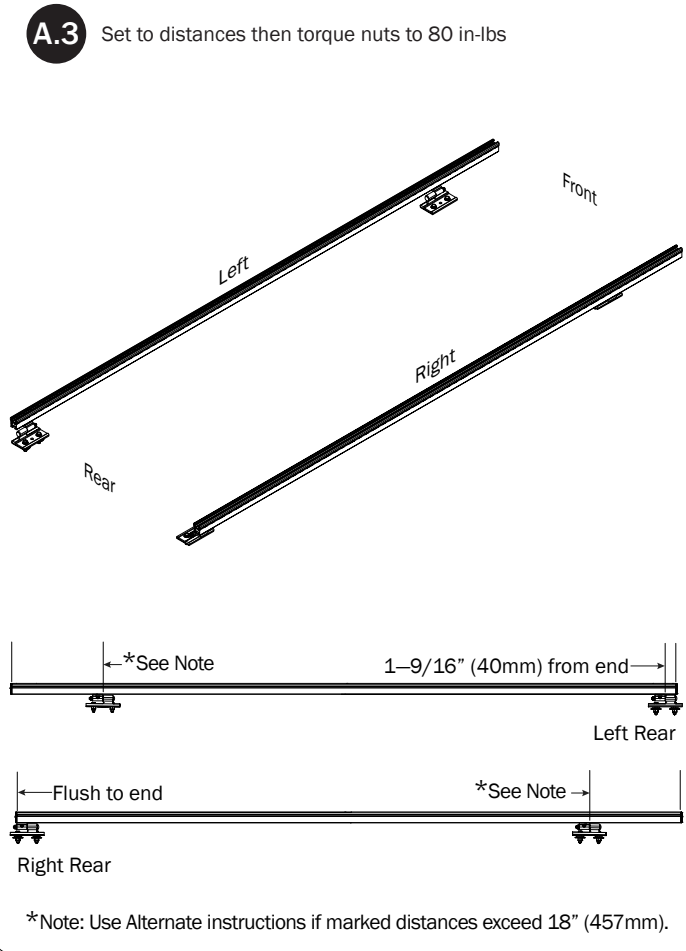
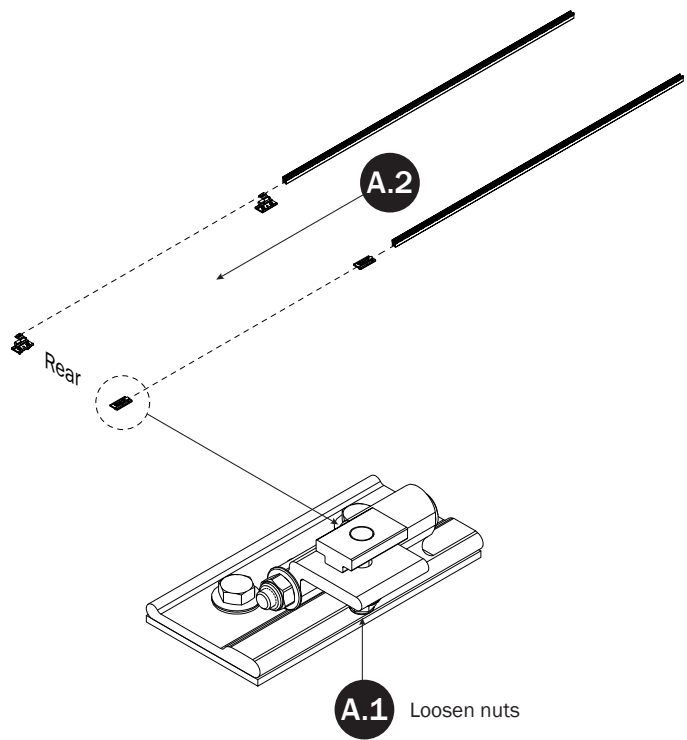
15—Clamp Down Handle Assembly (Qty 1)



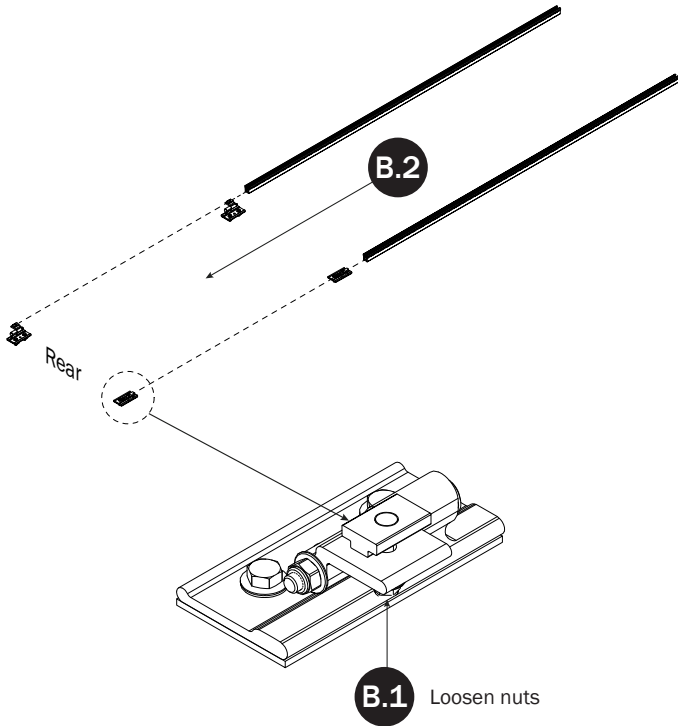
HKT-8162-Rotation Hardware Kit



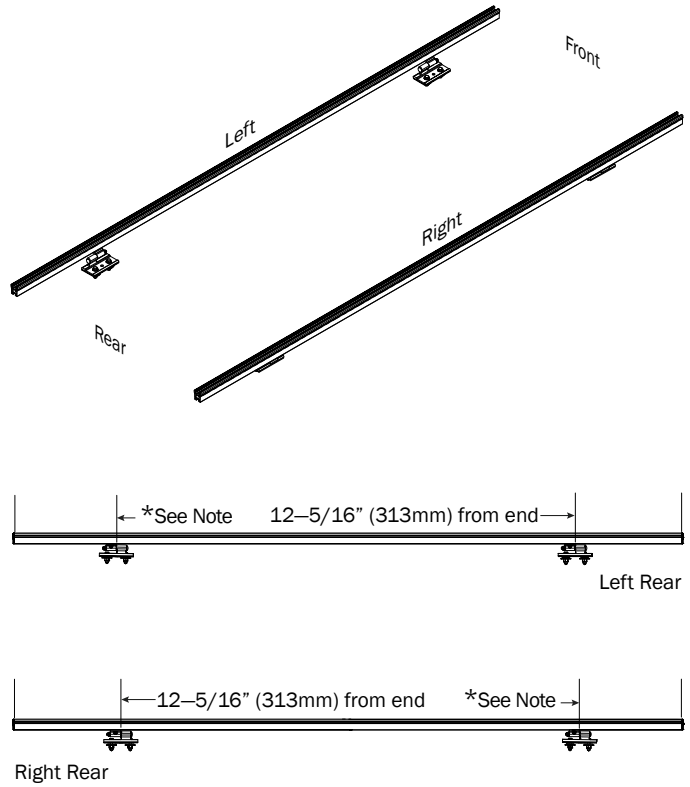
FBM-0002 FLUSH CHANNELS TO PRE-INSTALLED MOUNTING BRACKETS



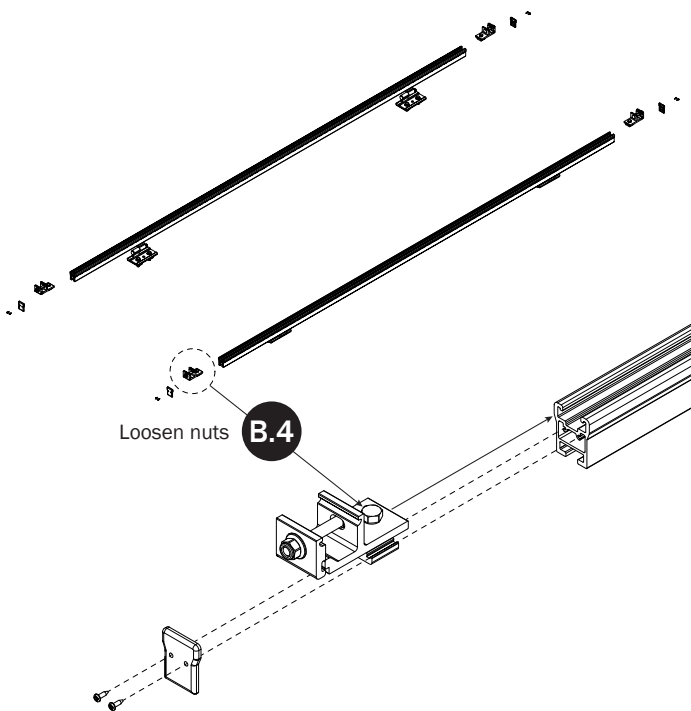
FBM-0002 ALTERNATE
CHANNELS TO PRE-INSTALLED
MOUNTING BRACKETS



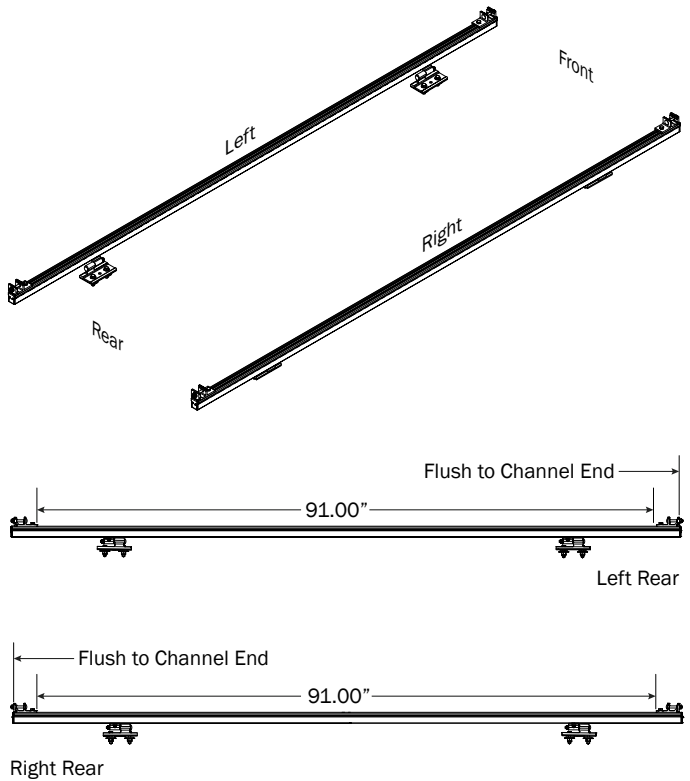
B.3 Set to distances then torque nuts to 80 in-lbs



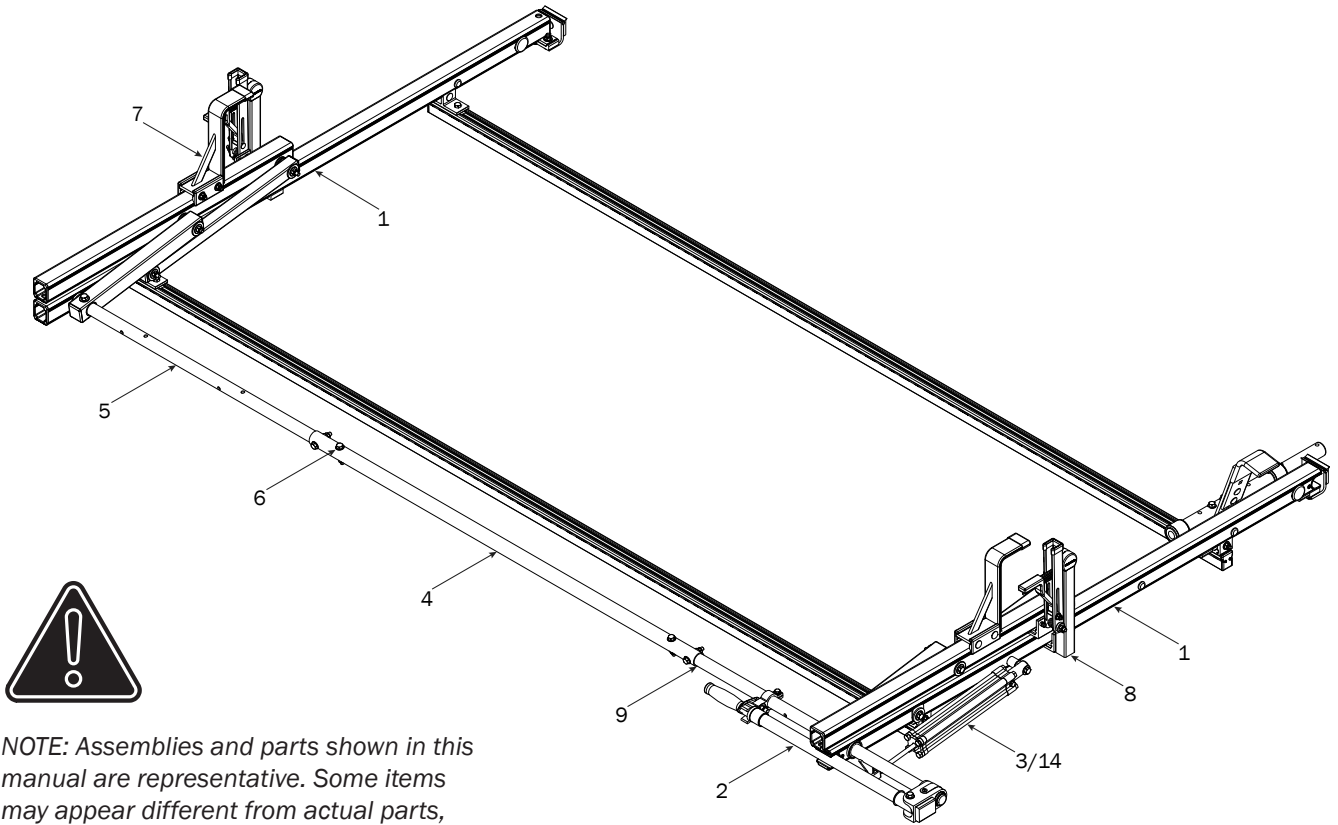
*Note: Move Channels rearward if marked front distance exceeds 18" (457mm).



B.5 Set to distances then torque Rear Bracket nuts to 90 in-lbs

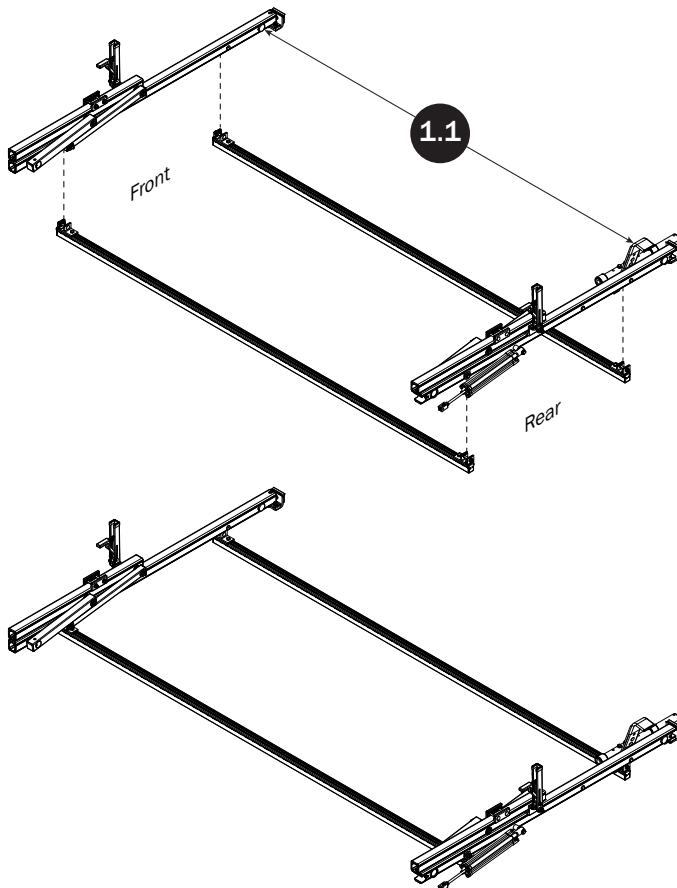


LEFT ROTATION ASSEMBLY

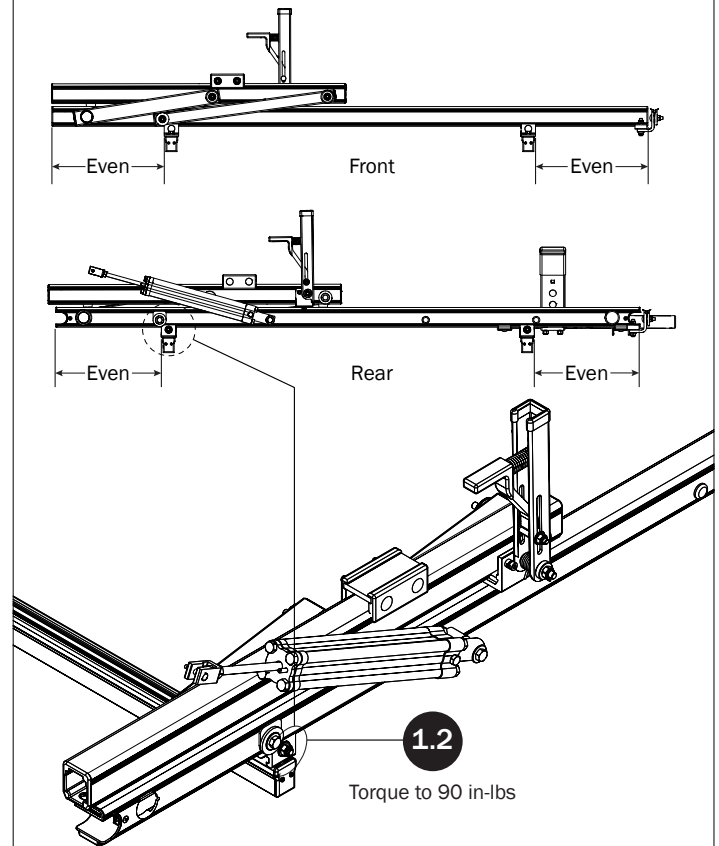


NOTE: Assemblies and parts shown in this manual are representative. Some items may appear different from actual parts, assemblies, or components received.

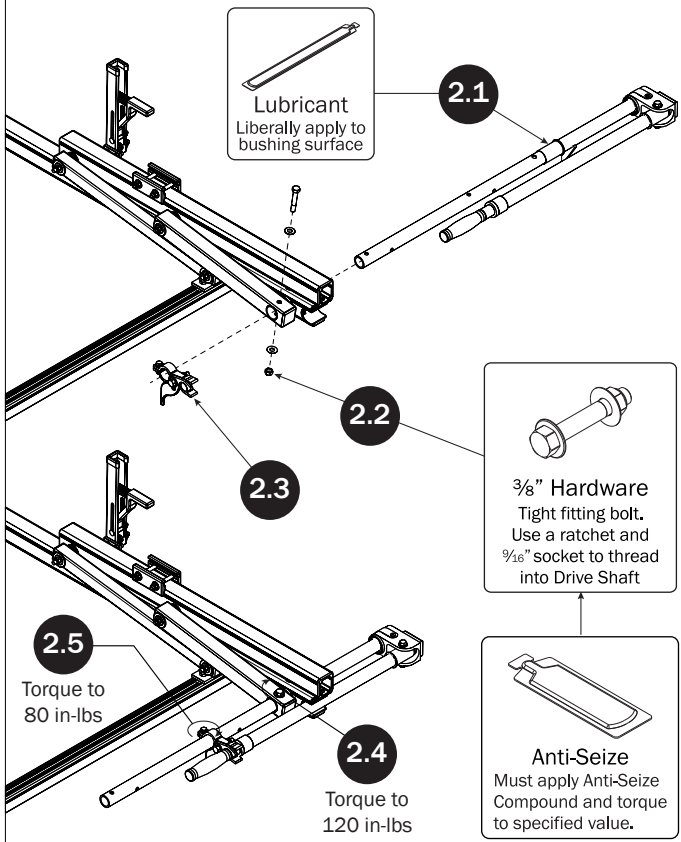
CROSSBARS



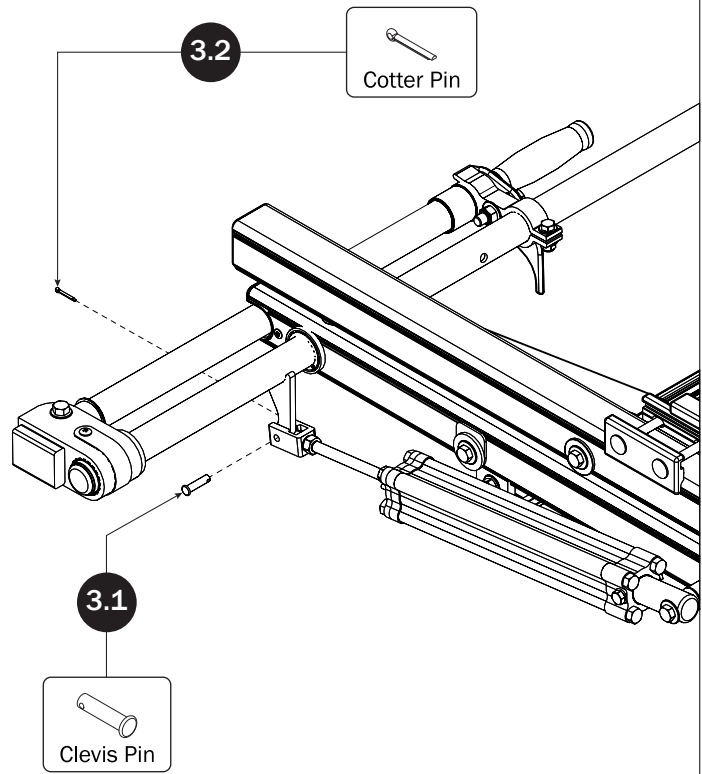
CROSSBAR ADJUSTMENT



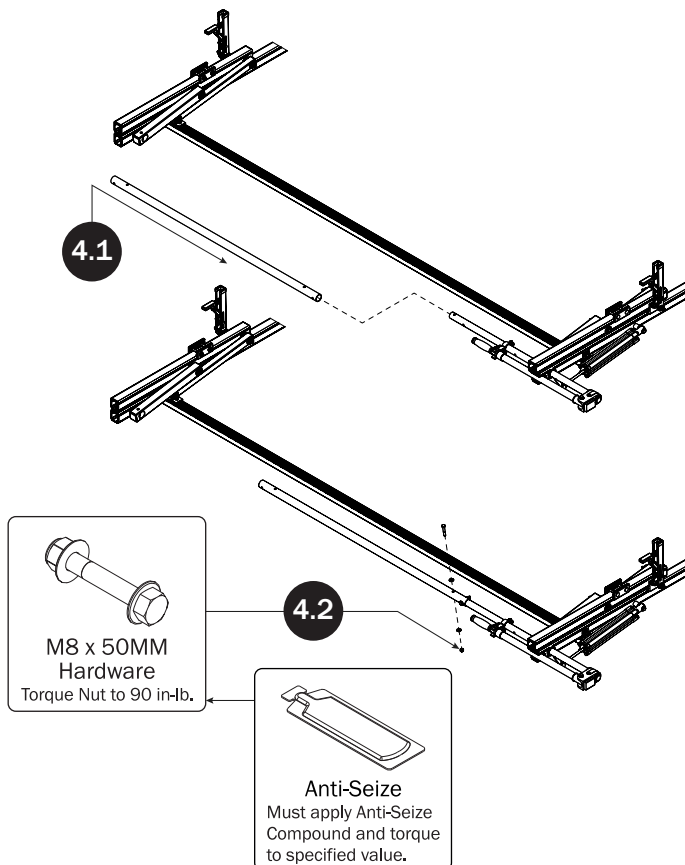
REAR DRIVE SHAFT



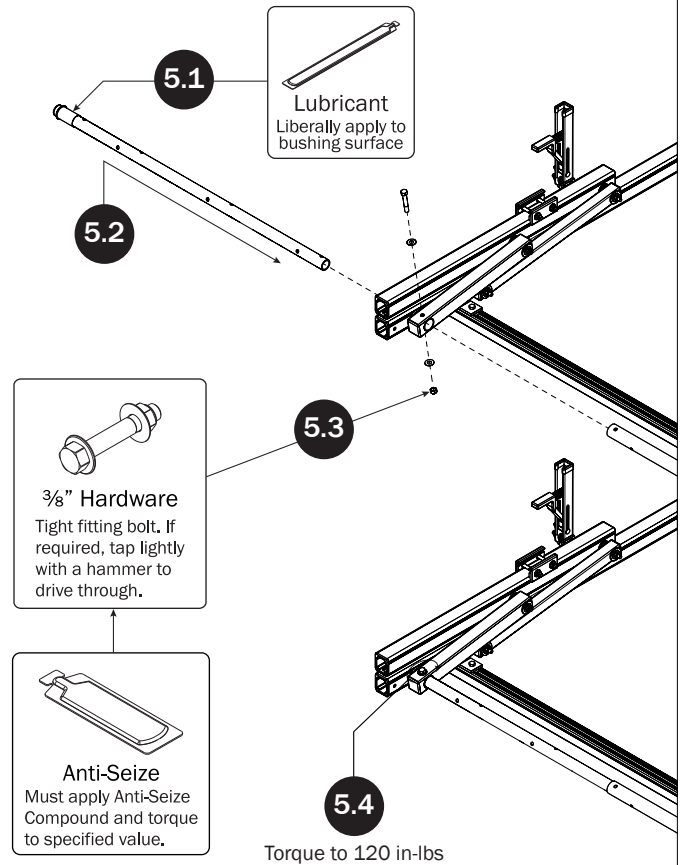
CYLINDER HARDWARE



CONNECTING BAR



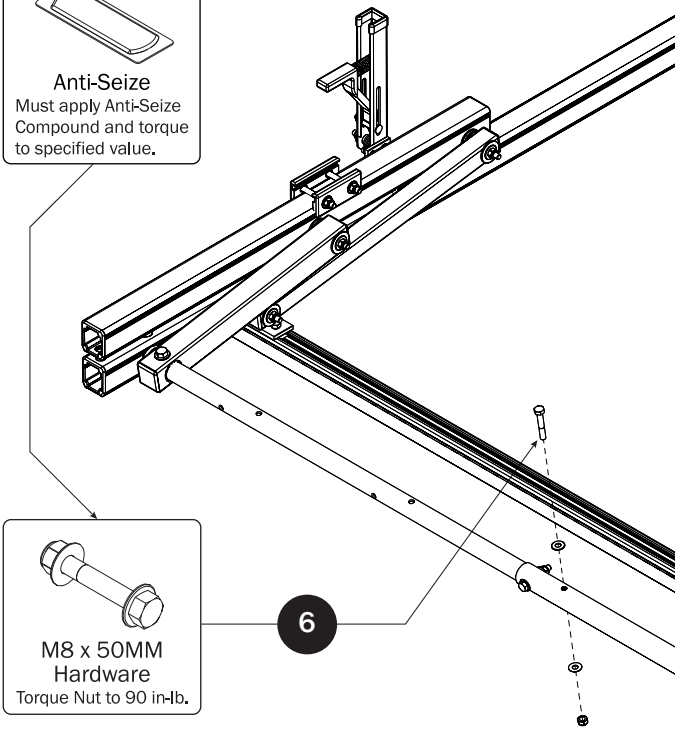
FRONT DRIVE SHAFT



CONNECTING BAR FASTENERS

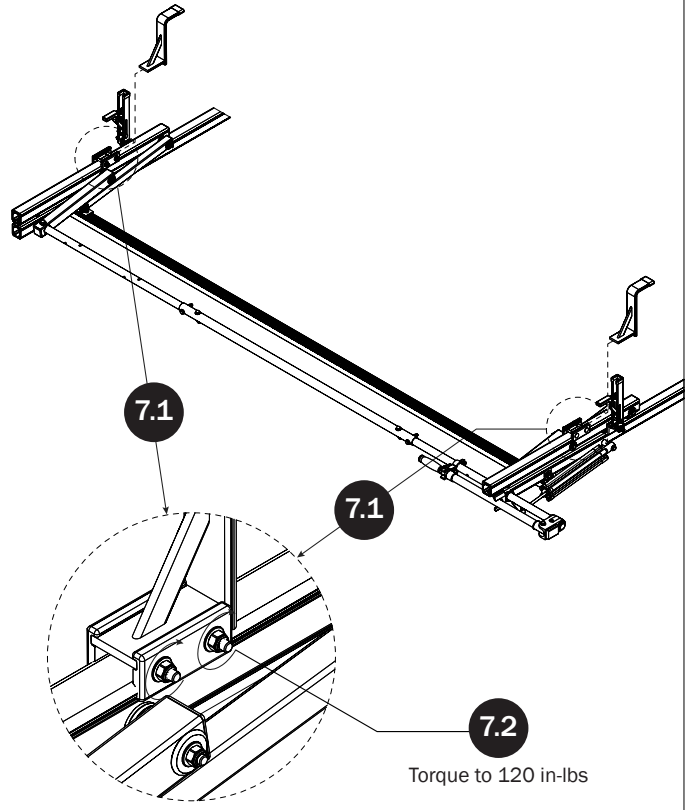
Anti-Seize
Must apply Anti-Seize Compound and torque to specified value.

M8 x 50MM Hardware
Torque Nut to 90 in-lb.



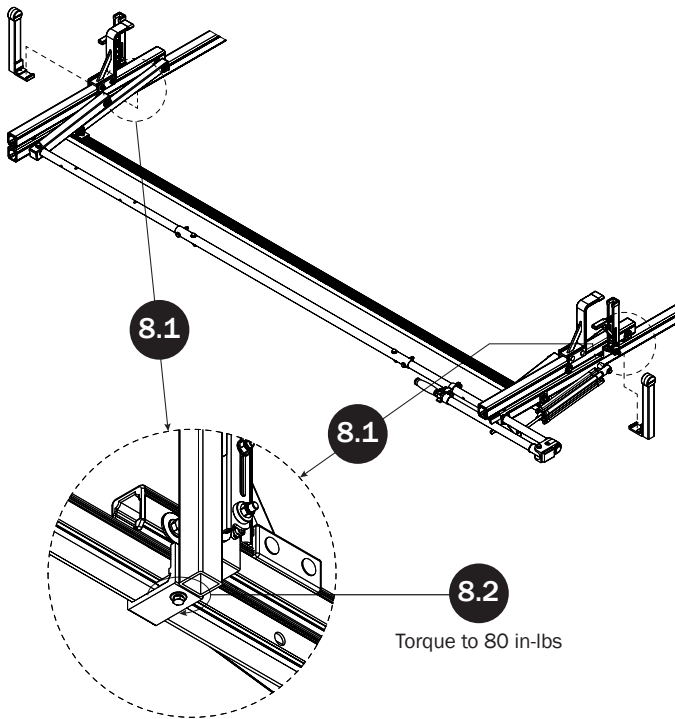
Z POSTS

SEE QUICK START GUIDE FOR ADJUSTMENTS

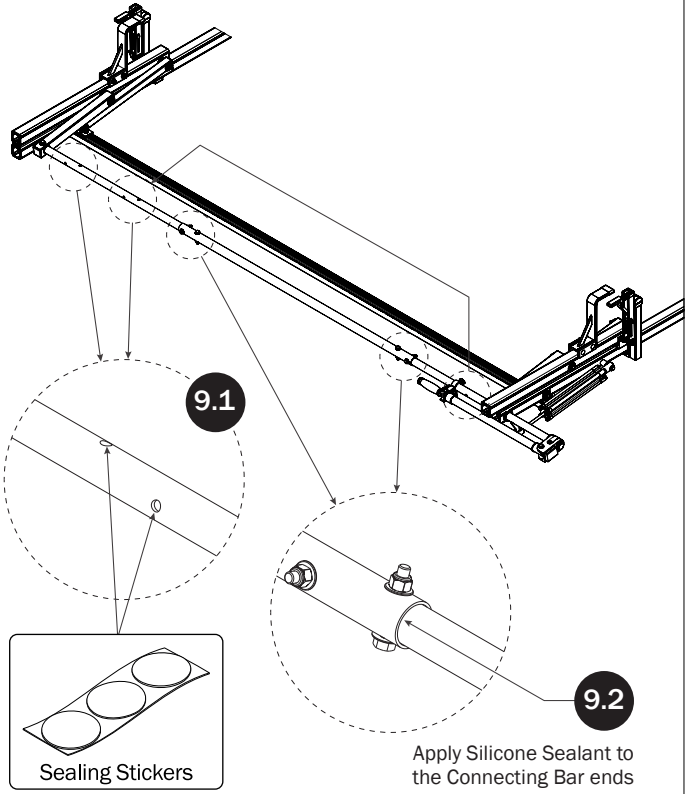


L POSTS

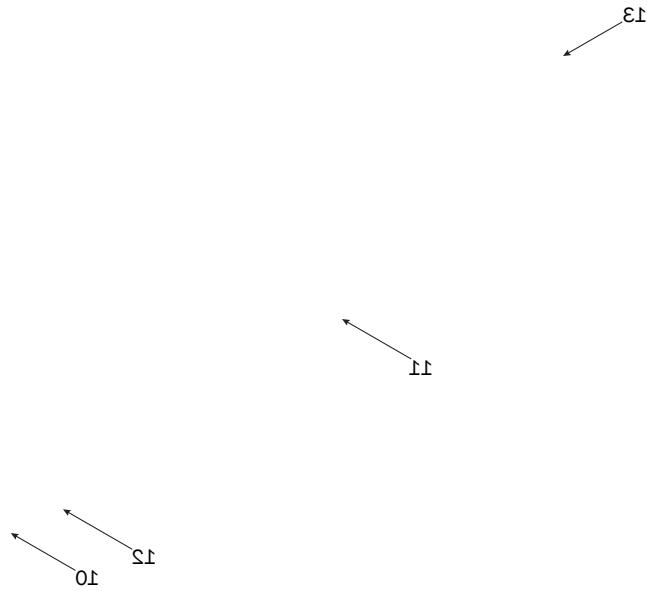
SEE QUICK START GUIDE FOR ADJUSTMENTS



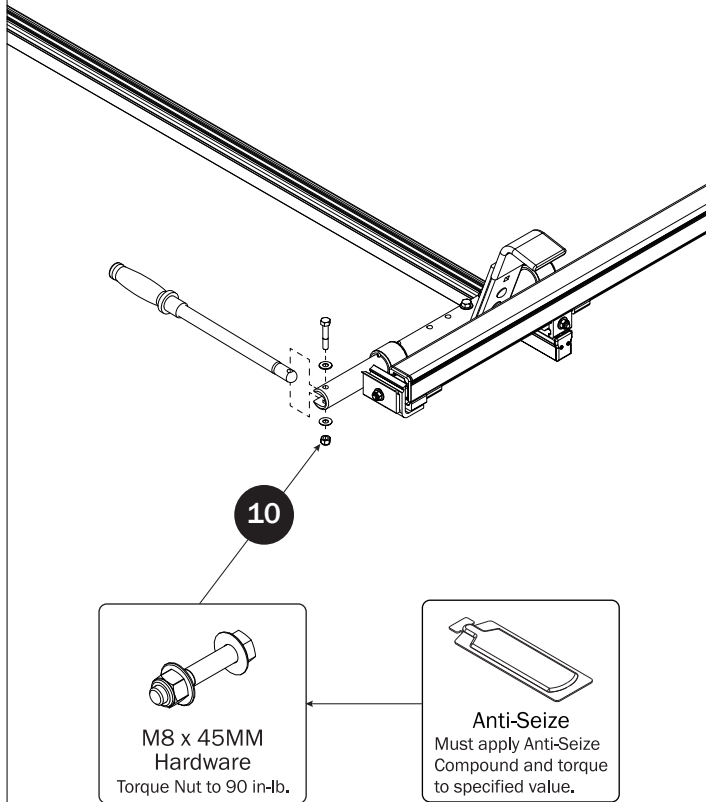
DRIVE SHAFT SEALING



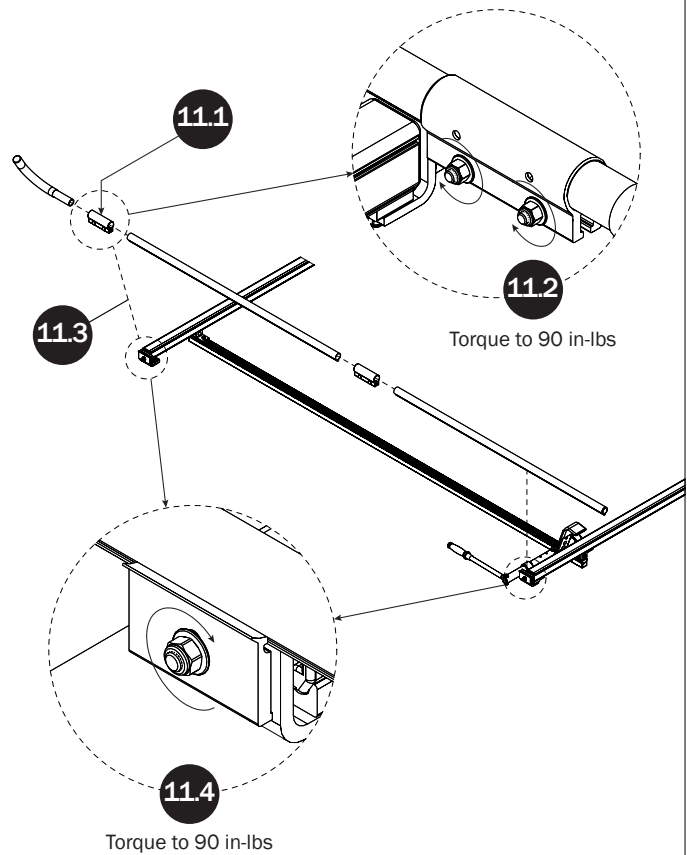
**RIGHT CLAMP DOWN
ASSEMBLY SEQUENCE**



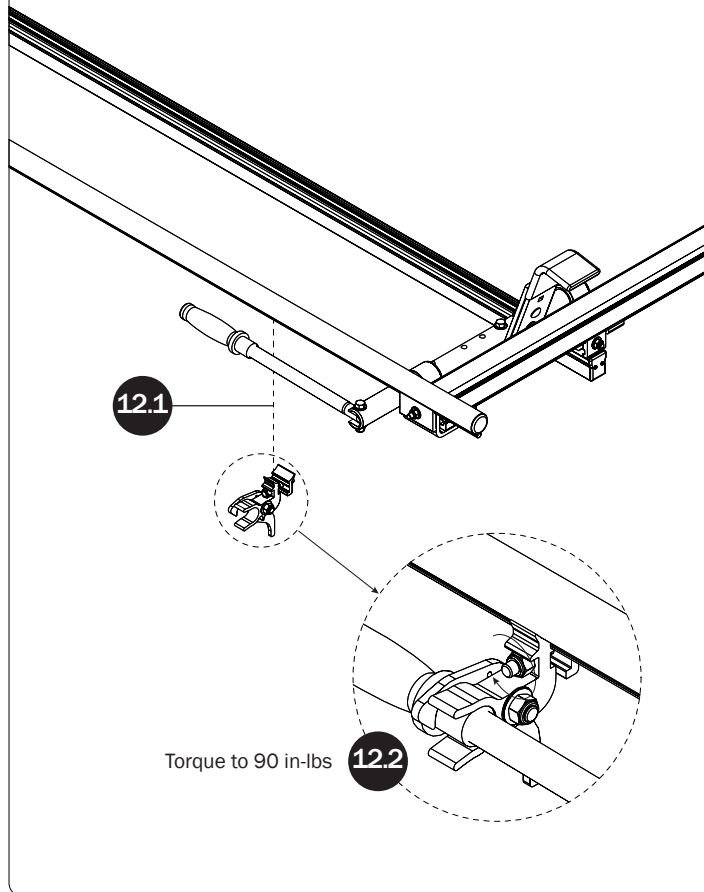
CLAMP DOWN HANDLE



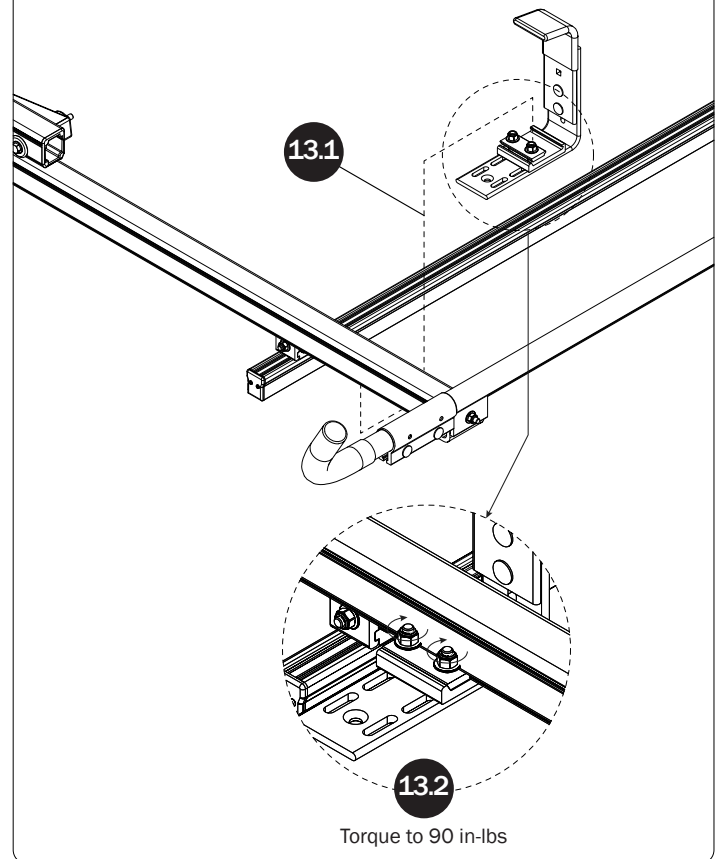
CLAMP DOWN TUBE



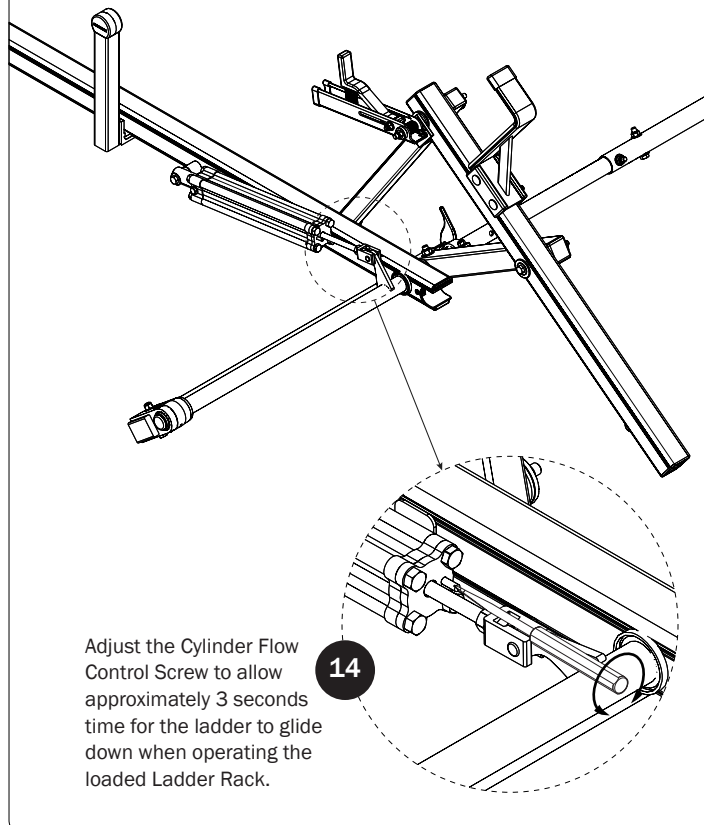
HANDLE LATCH



FRONT LADDER HOOK
SEE QUICK START GUIDE FOR ADJUSTMENTS



CYLINDER ADJUSTMENT



Page Intentionally Left Blank

