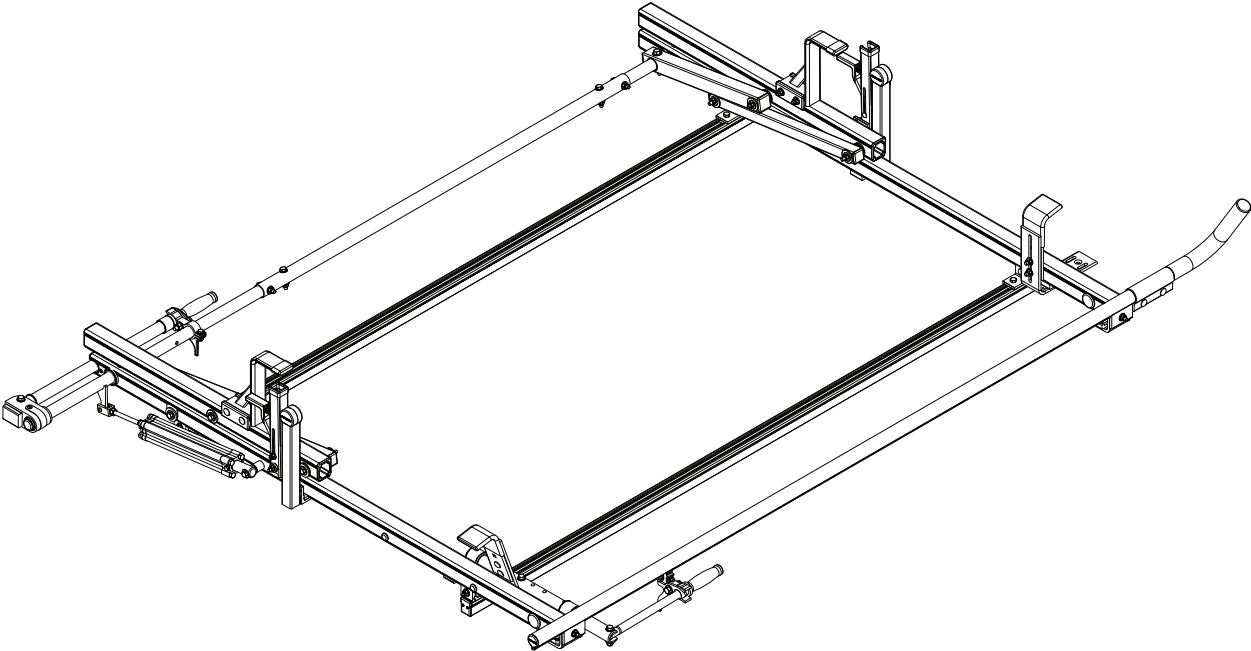


PRIME DESIGN™

A Safe Fleet Brand

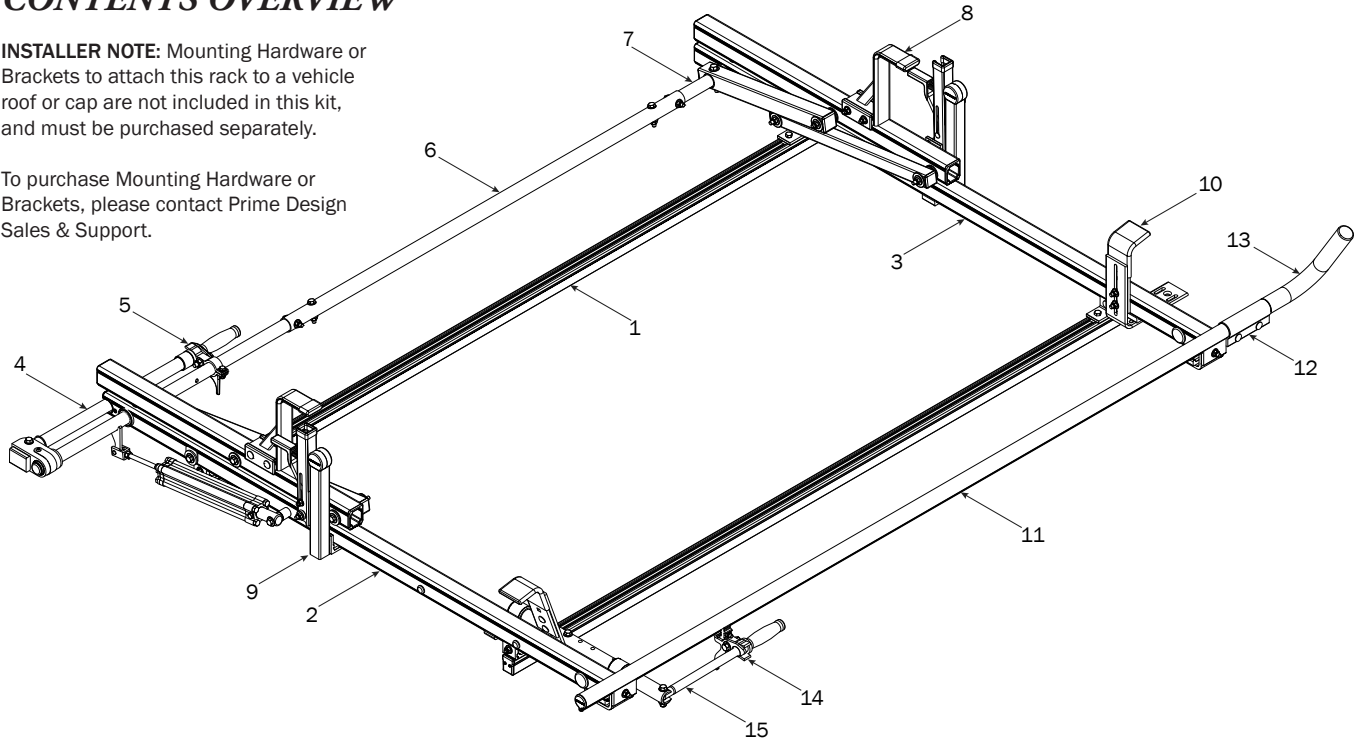


PRC
6000

CONTENTS OVERVIEW

INSTALLER NOTE: Mounting Hardware or Brackets to attach this rack to a vehicle roof or cap are not included in this kit, and must be purchased separately.

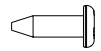
To purchase Mounting Hardware or Brackets, please contact Prime Design Sales & Support.



1—FBM-0001 (Qty 1)
Channels with hardware



Channels (2X)



Screws (8X)

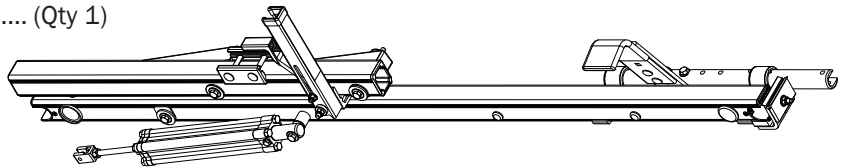


End Caps (4X)

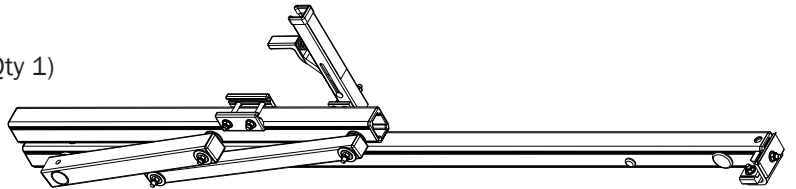


Brackets (4X)

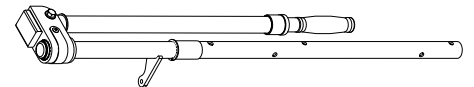
2—Rear Crossbar Assembly..... (Qty 1)



3—Front Crossbar Assembly (Qty 1)



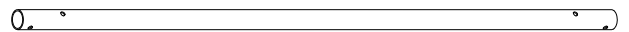
4—Rear Drive Shaft..... (Qty 1)
Left Hand, 34.00"



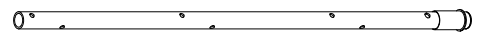
5—Handle Latch Assembly (Qty 1)
Left Hand



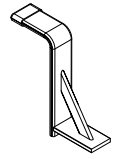
6—Connecting Bar..... (Qty 1)
4.00'



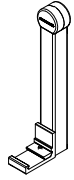
7—Front Drive Shaft (Qty 1)
B Version, 35.75"



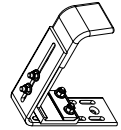
8—Z Post (Qty 2)
Adjustable, 7.25"



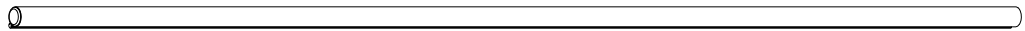
9—L Post (Qty 2)
US3, Square Cap, 11.25"



10—Front Hook Assembly (Qty 1)



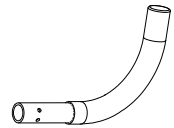
11—Clamp Down Tube (Qty 1)
80.00"



12—Quick Clamp Tube Splice Assembly..... (Qty 1)
5.00"



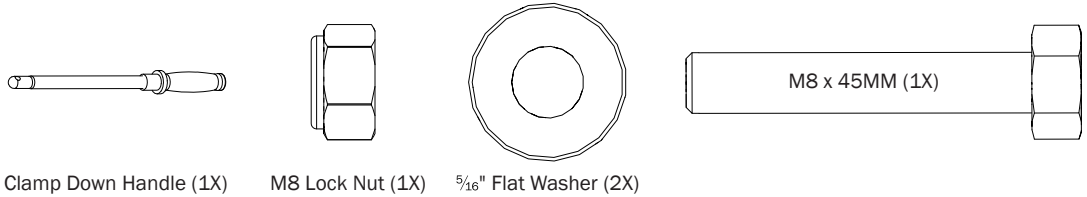
13—Removeable Horn with Cap..... (Qty 1)
15.00"



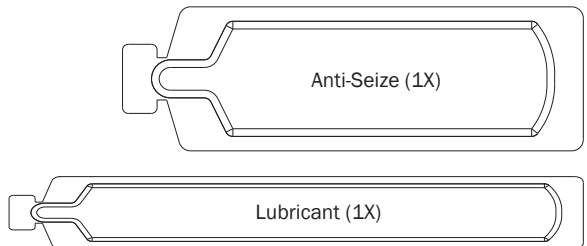
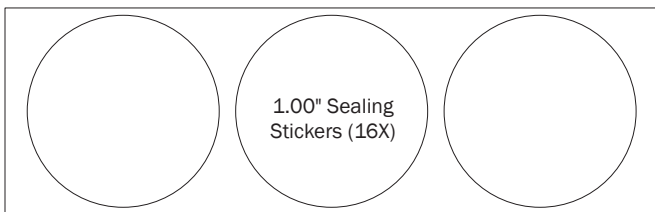
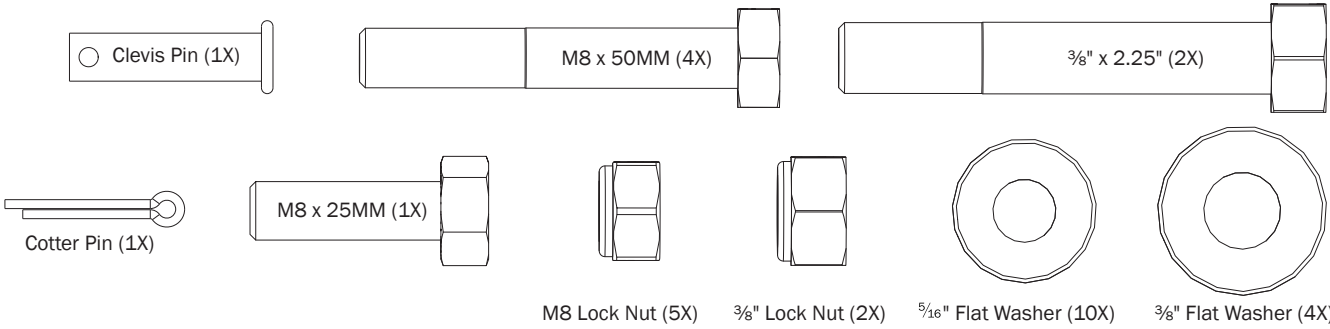
14—Clamp Down Handle Latch Assembly..... (Qty 1)



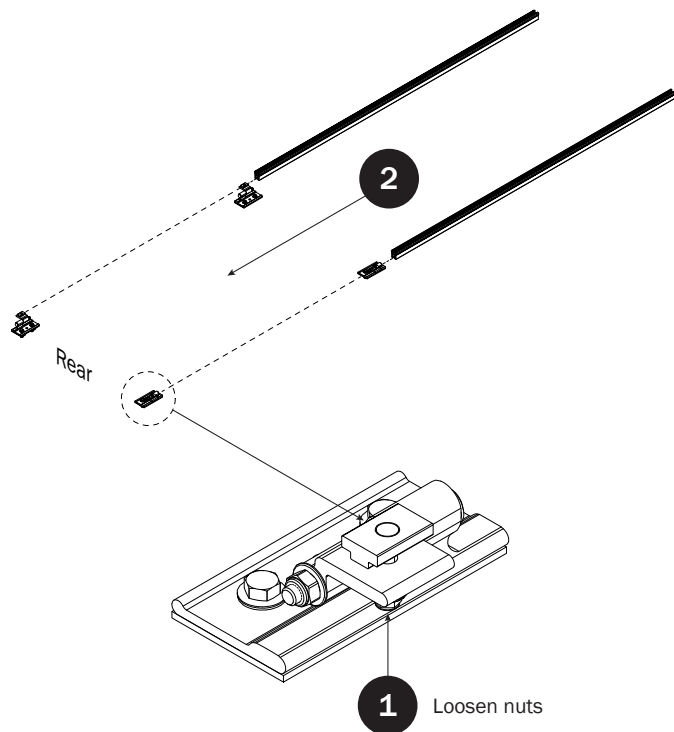
15—Clamp Down Handle Assembly (Qty 1)



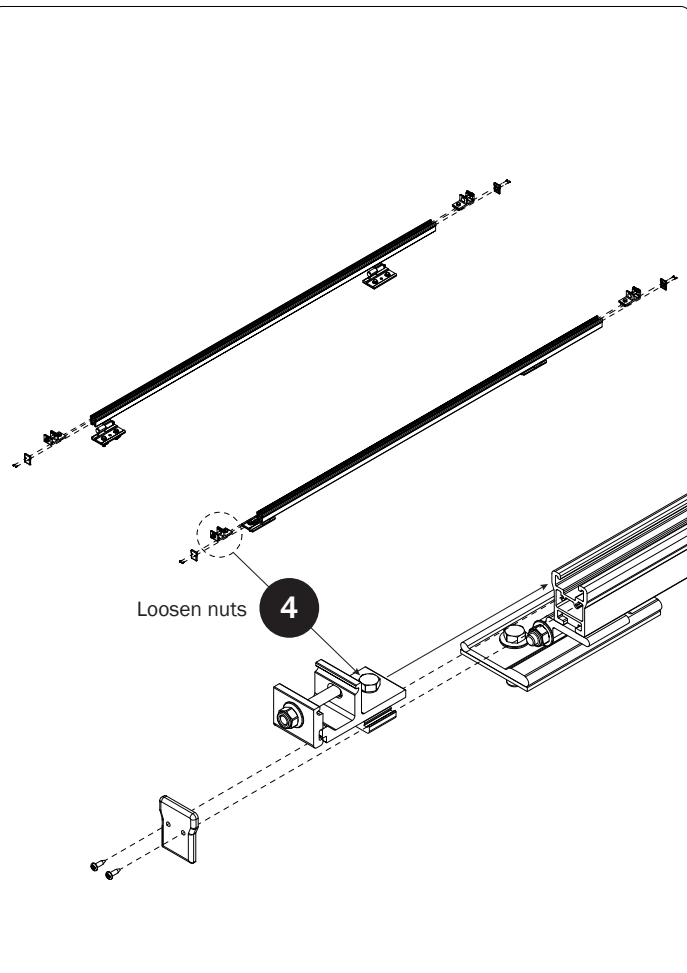
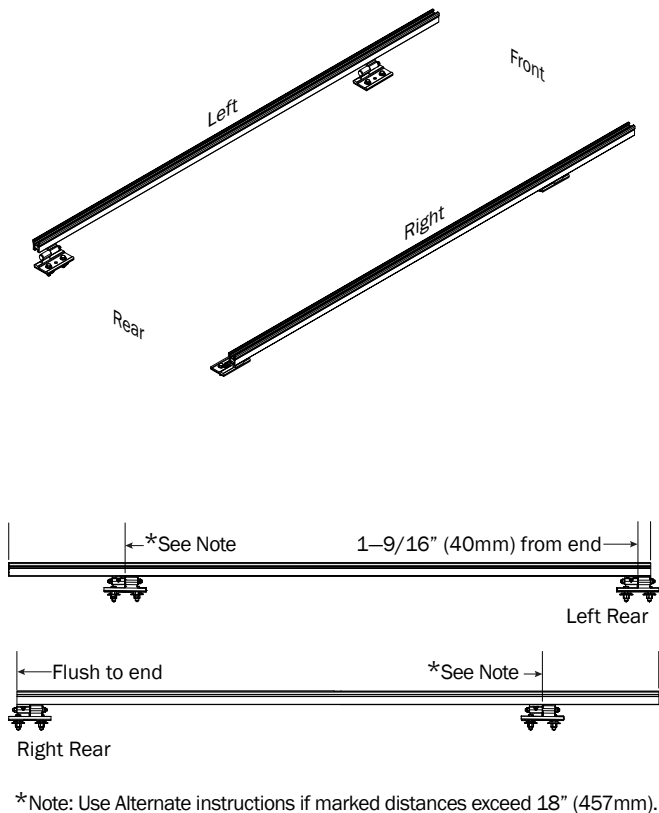
16—HKT-8163-Rotation Hardware Kit (Qty 1)
(Not called out in Overview)



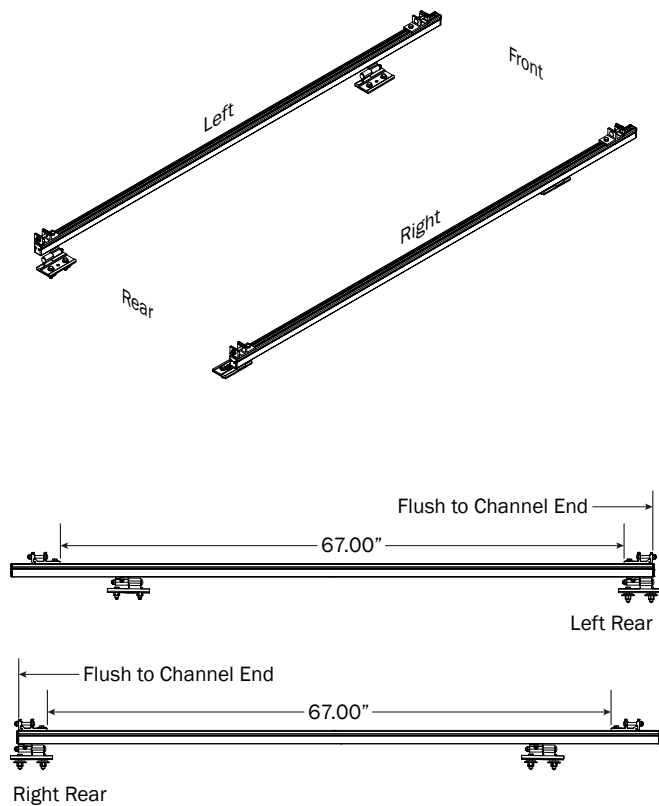
FBM-0001 FLUSH CHANNELS TO PRE-INSTALLED MOUNTING BRACKETS



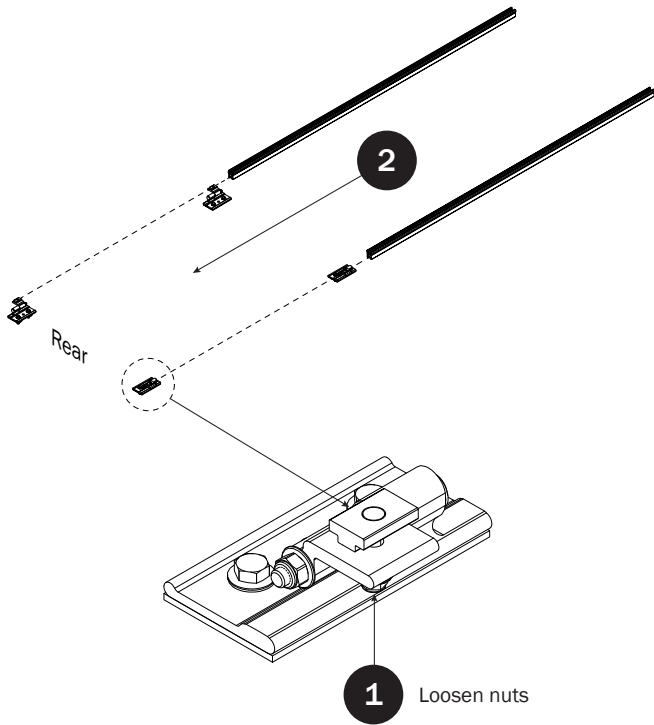
3 Set to distances then torque nuts to 80 in-lbs



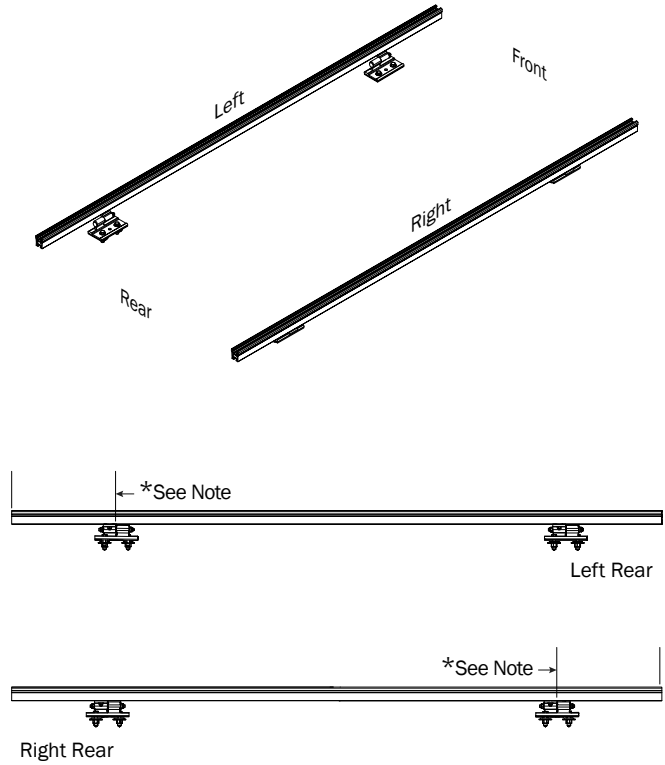
5 Set to distances then torque Rear Bracket nuts to 90 in-lbs



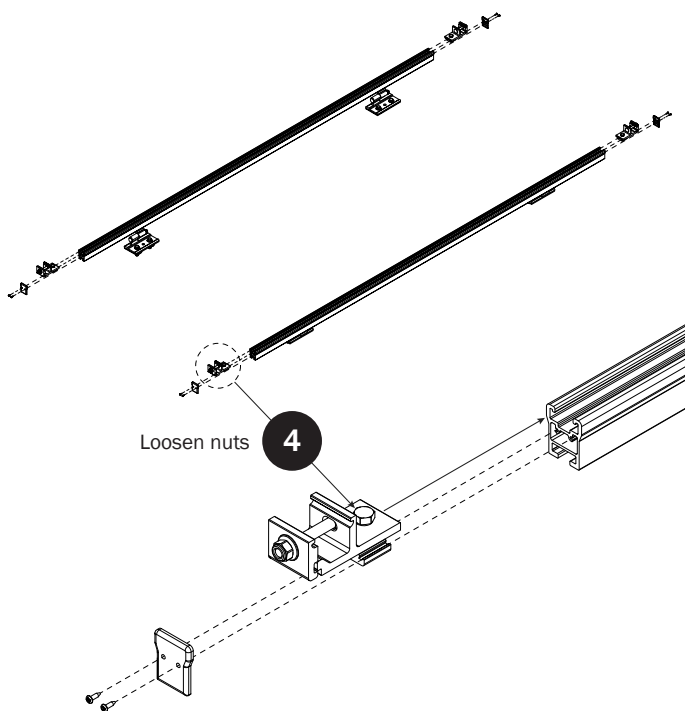
FBM-0001 ALTERNATE
CHANNELS TO PRE-INSTALLED
MOUNTING BRACKETS



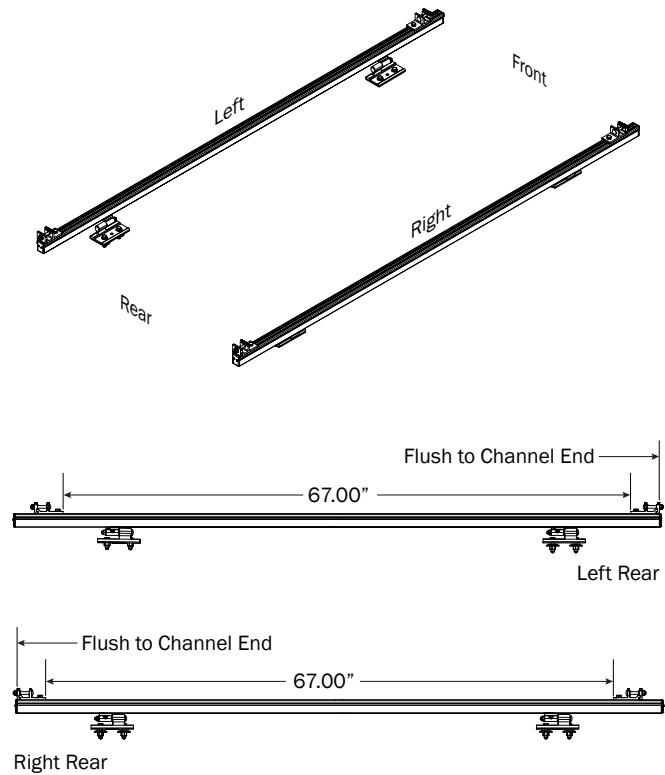
3 Set to distances then torque nuts to 80 in-lbs



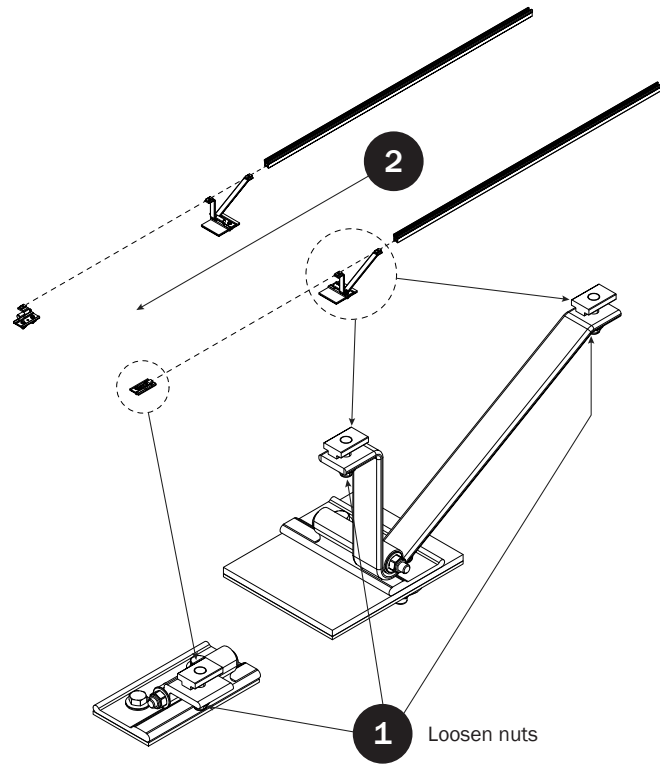
* Move Channels rearward until front distance no longer exceeds 18" (457mm).



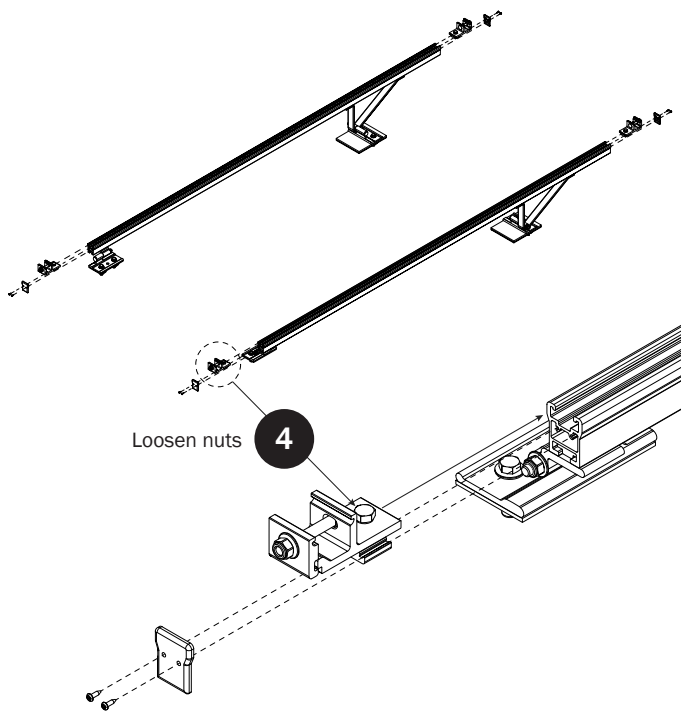
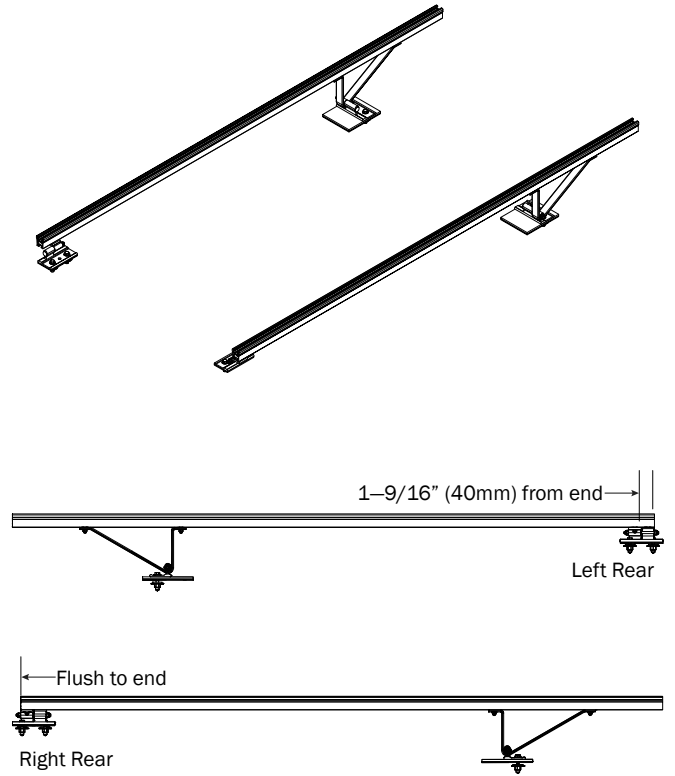
5 Set to distances then torque Rear Bracket nuts to 90 in-lbs



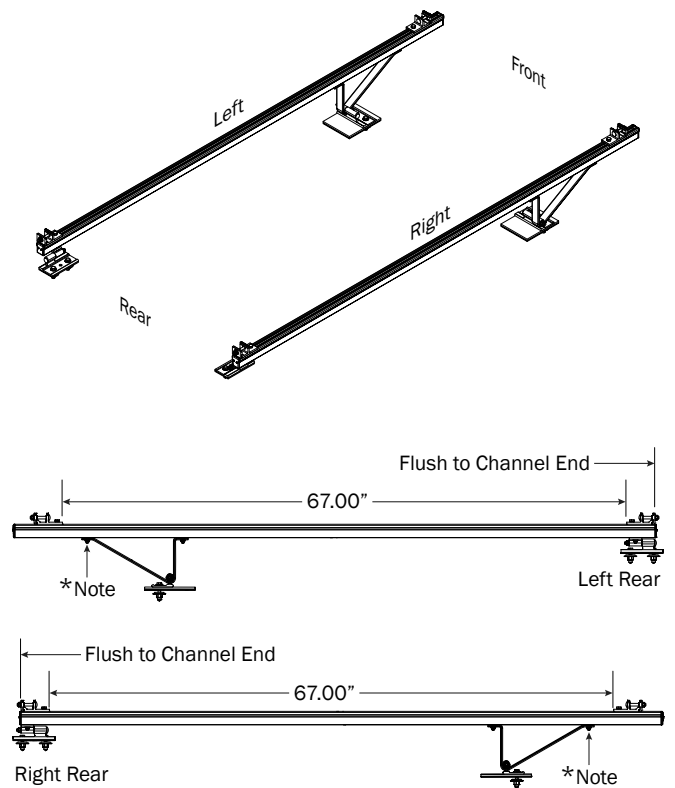
FBM-0001 SLOPED TYPICAL CHANNELS TO PRE-INSTALLED MOUNTING BRACKETS



3 Set to distances then torque nuts to 80 in-lbs

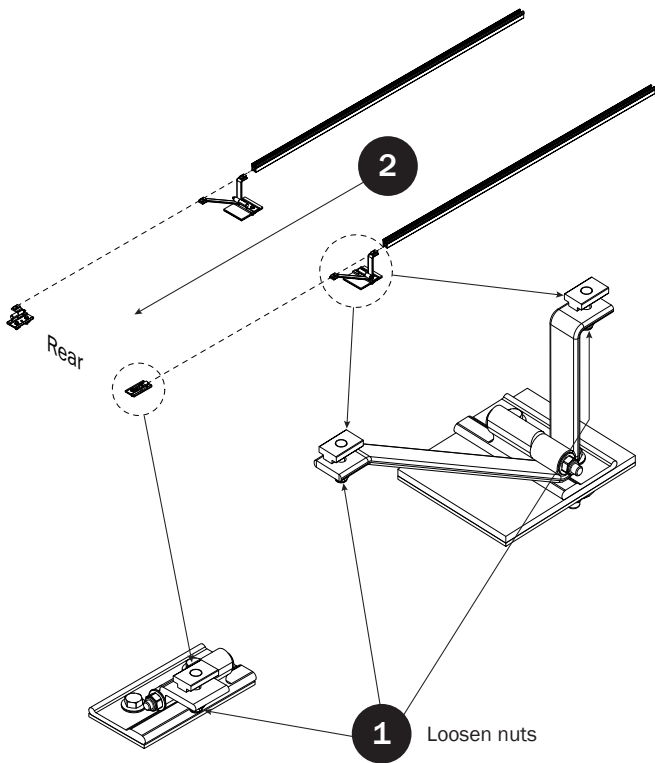


5 Set to distances then torque nuts to 90 in-lbs

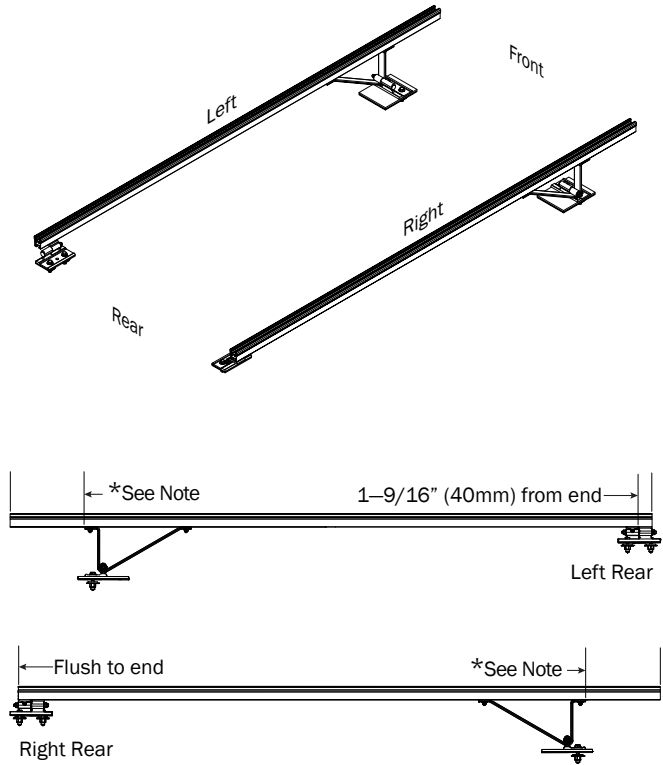


*Note: Use Alternate instructions if mounting point is beyond end of Channel.

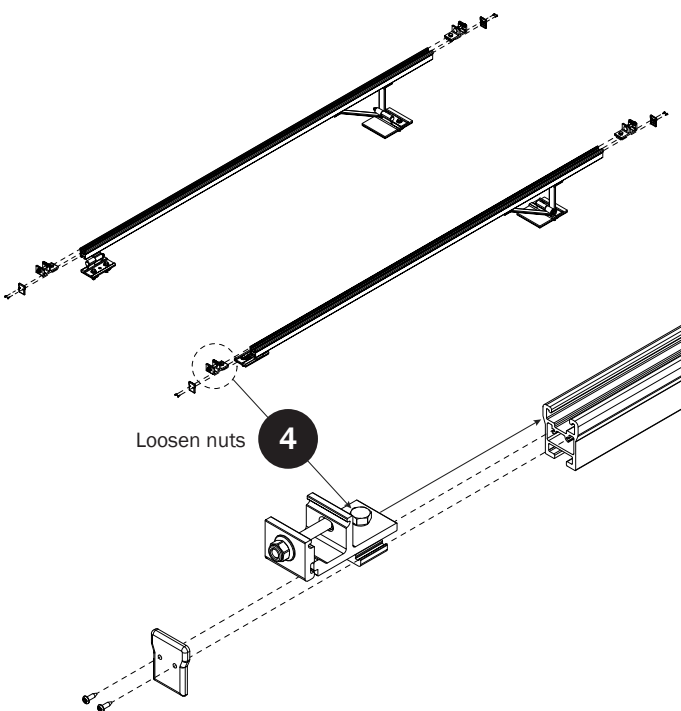
FBM-0001 SLOPED ALTERNATE CHANNELS TO PRE-INSTALLED MOUNTING BRACKETS



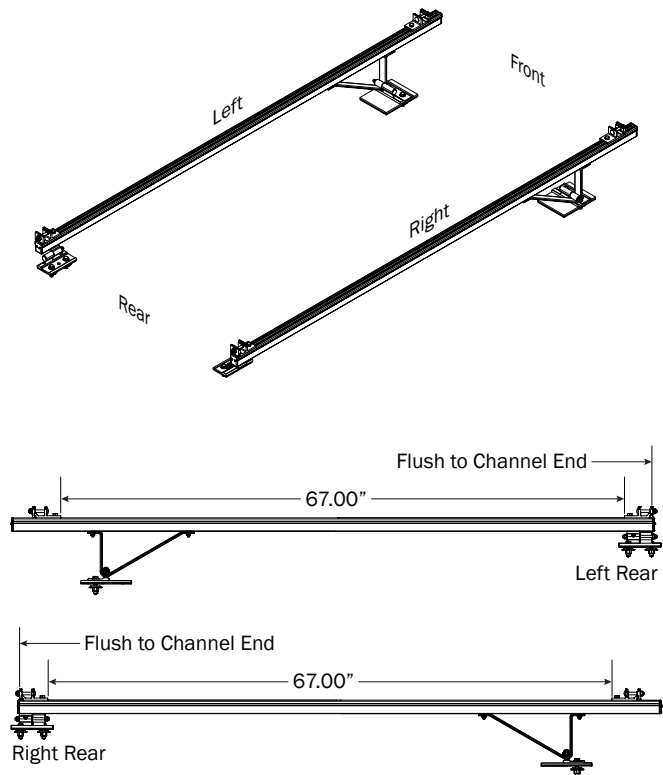
3 Set to distances then torque nuts to 80 in-lbs



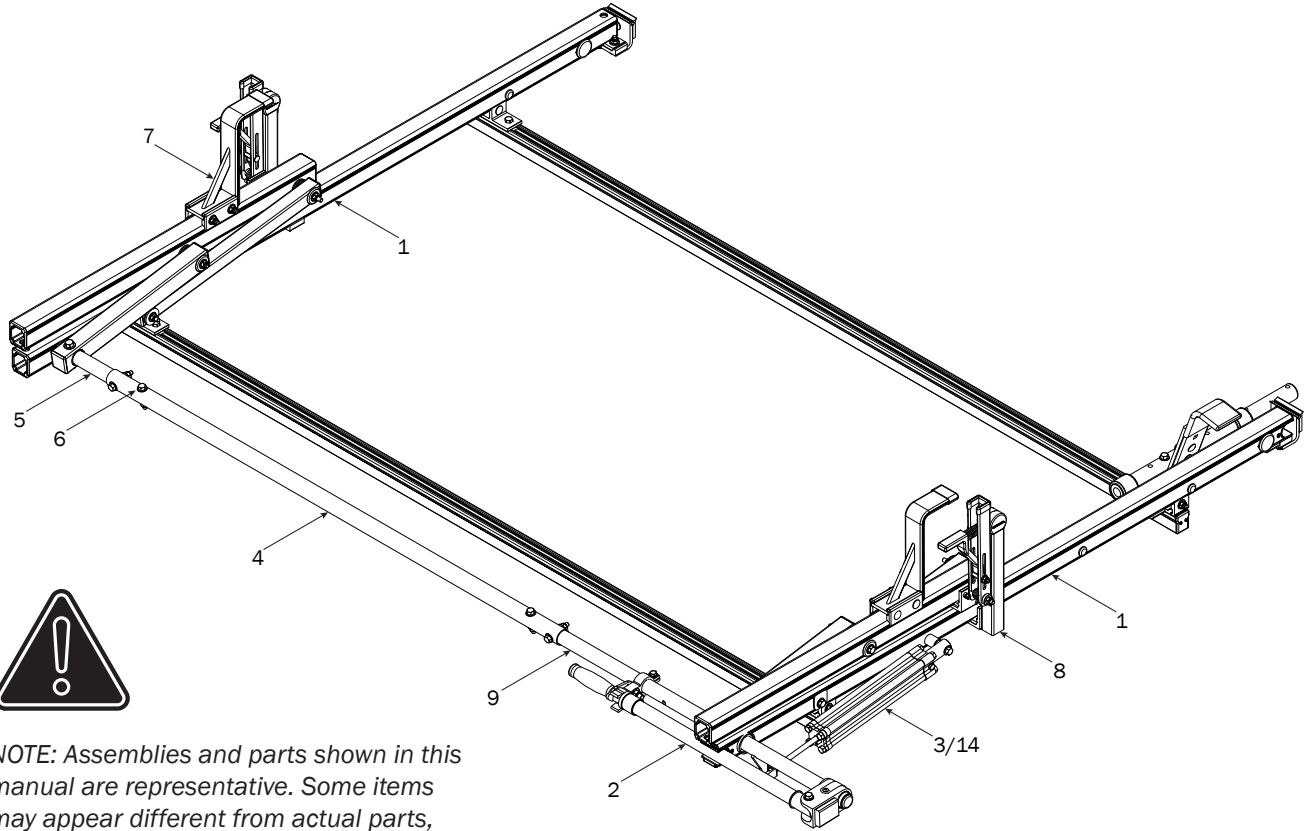
*Note: Use Sloped Typical instructions if front distance exceeds 18" (457mm).



5 Set to distances then torque nuts to 90 in-lbs



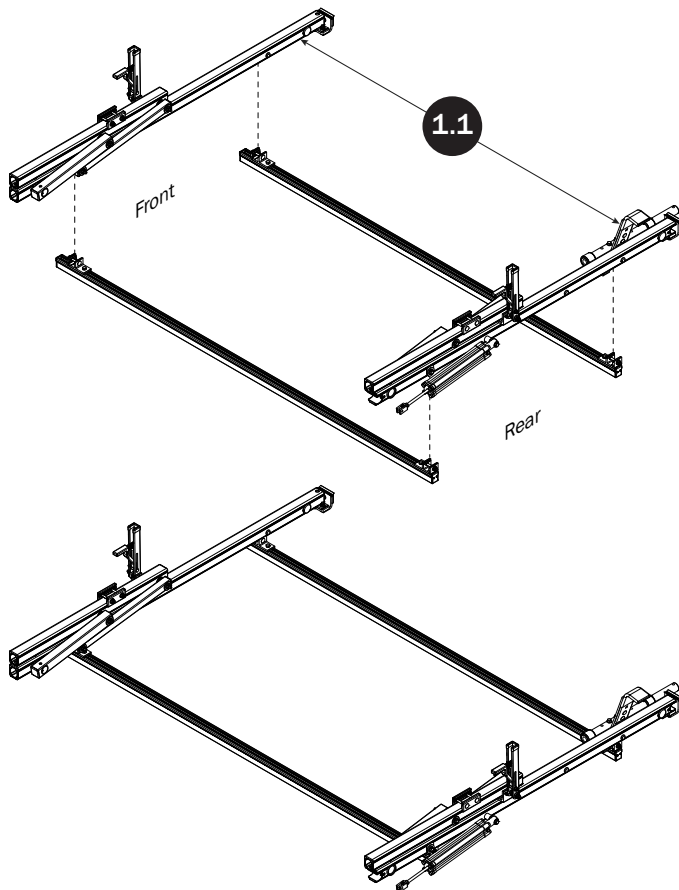
LEFT ROTATION ASSEMBLY



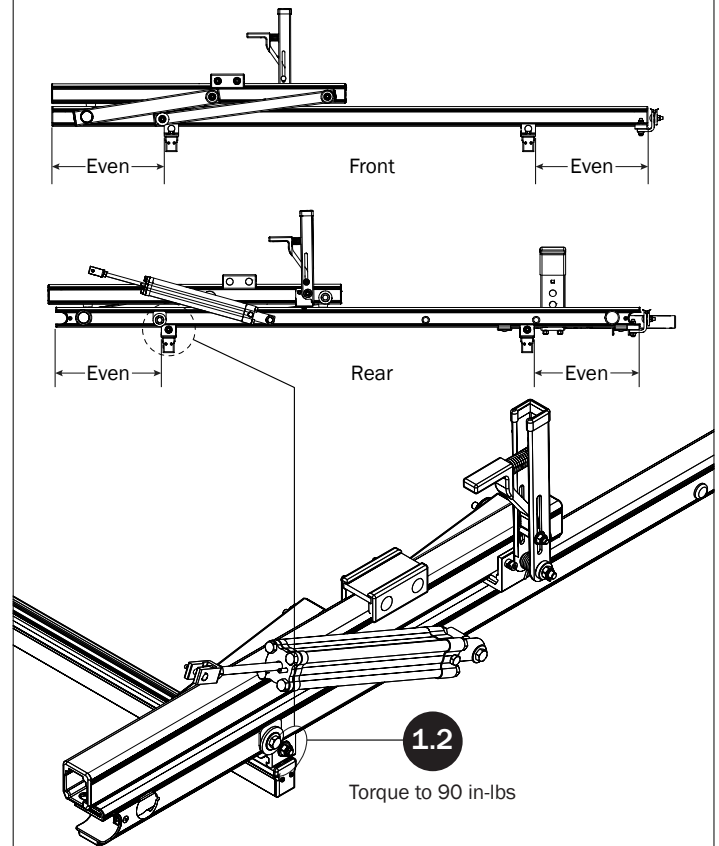
NOTE: Assemblies and parts shown in this manual are representative. Some items may appear different from actual parts, assemblies, or components received.

PRC-6000 ASSEMBLY INSTRUCTIONS—LEFT SIDE ROTATION

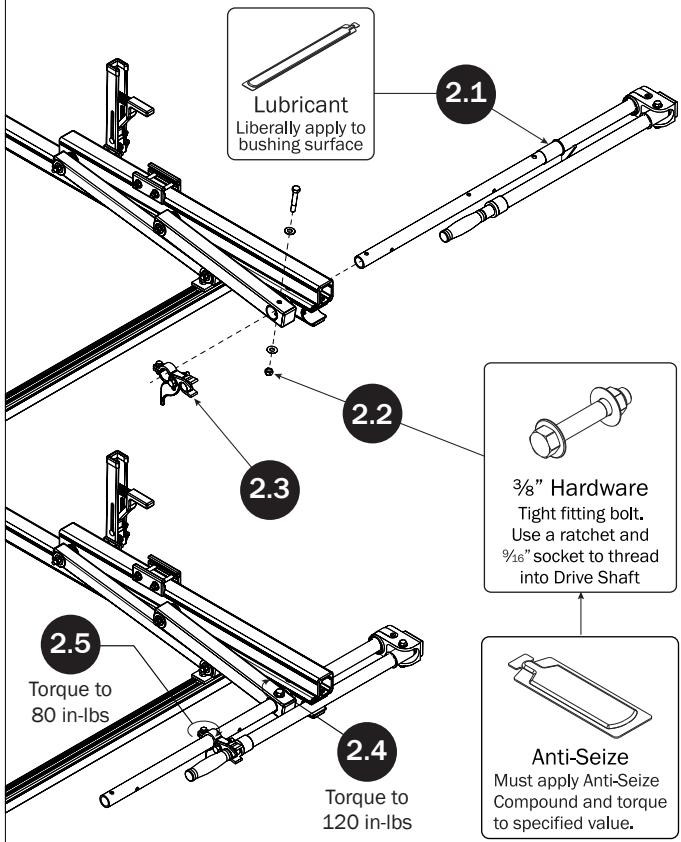
CROSSBARS



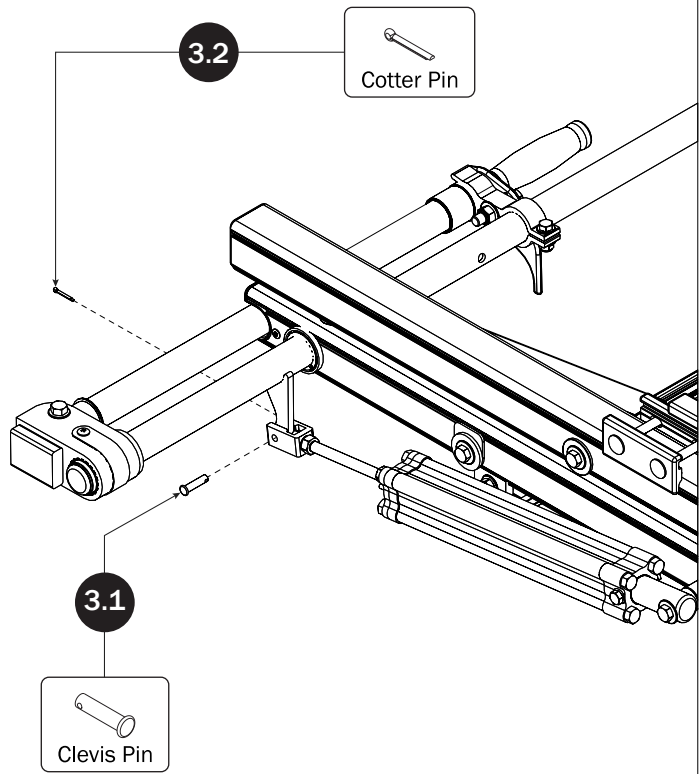
CROSSBAR ADJUSTMENT



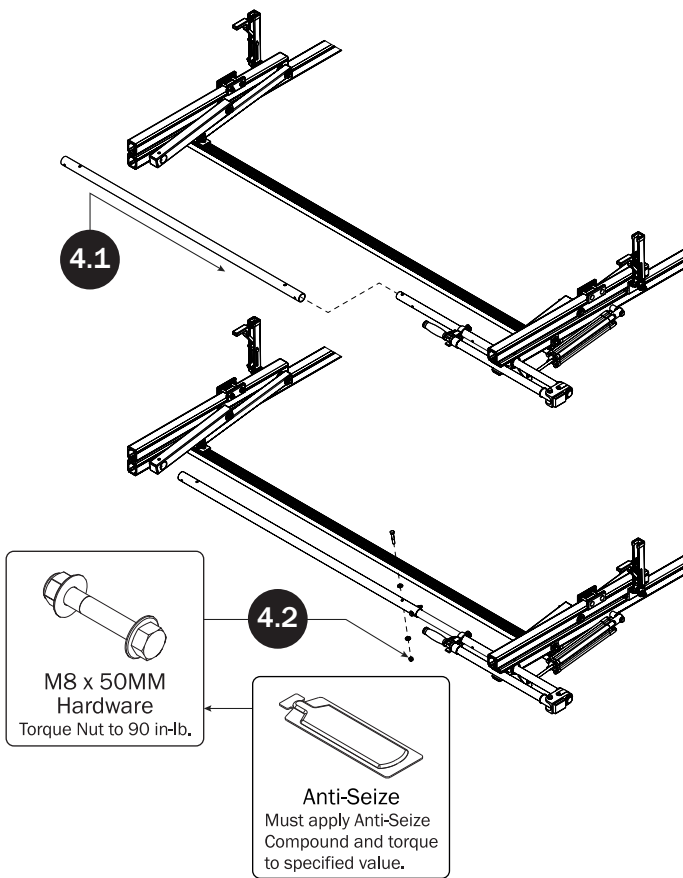
REAR DRIVE SHAFT



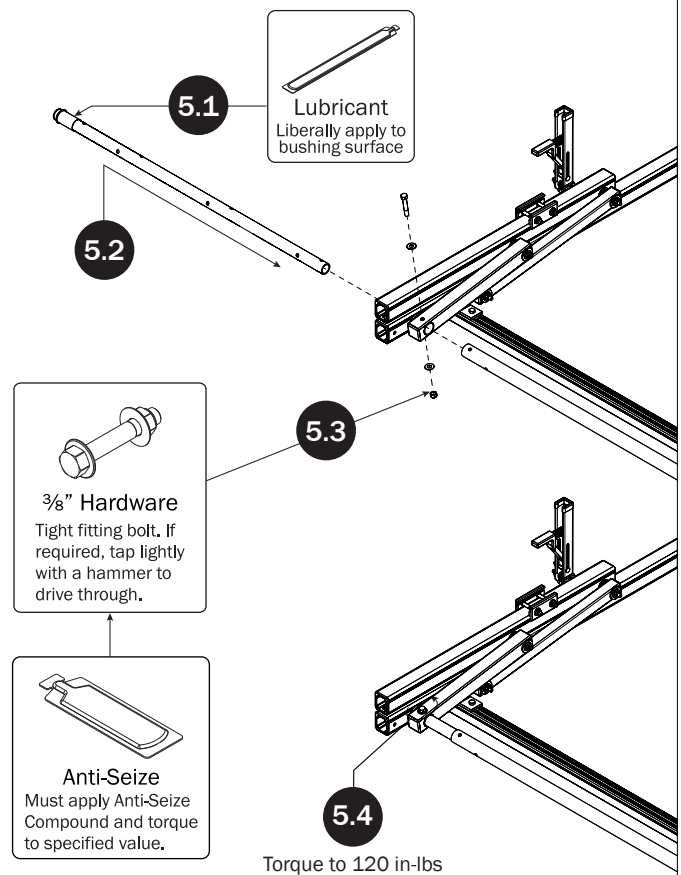
CYLINDER HARDWARE



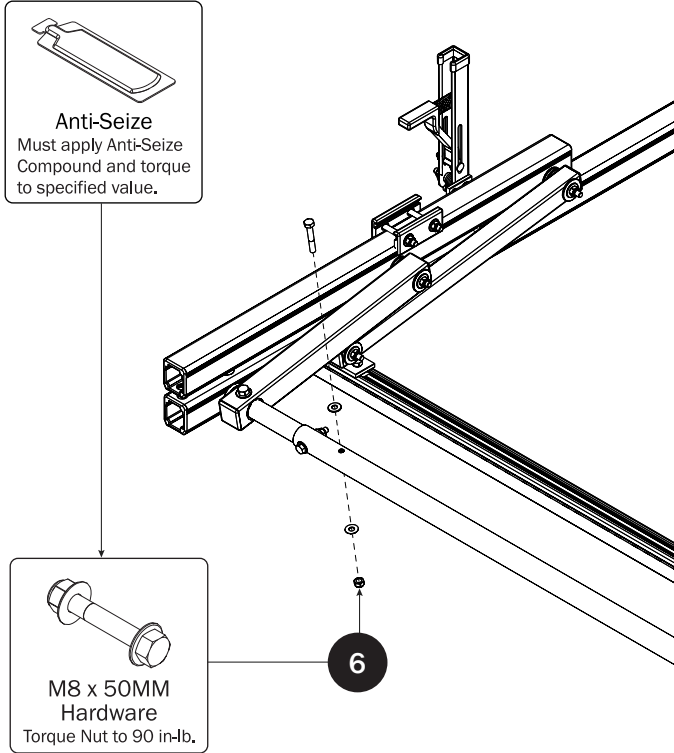
CONNECTING BAR



FRONT DRIVE SHAFT

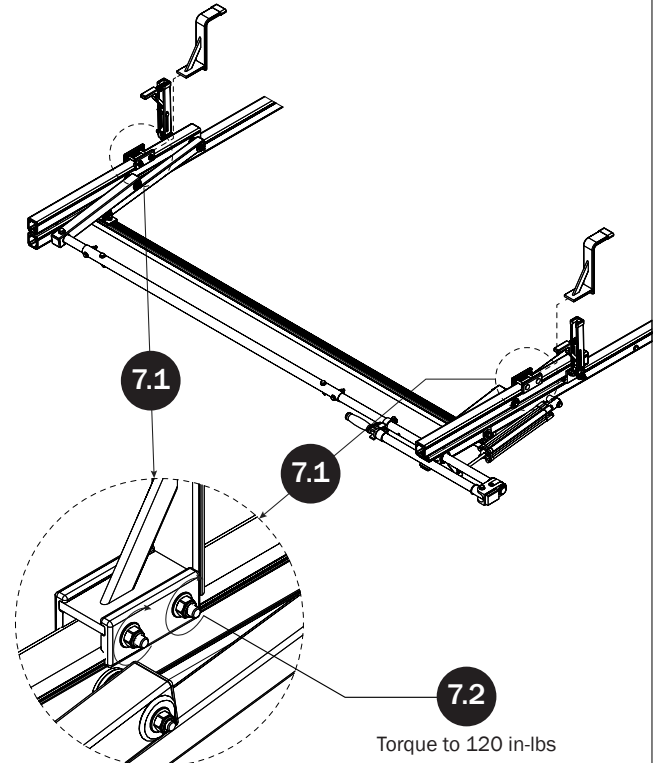


CONNECTING BAR FASTENERS



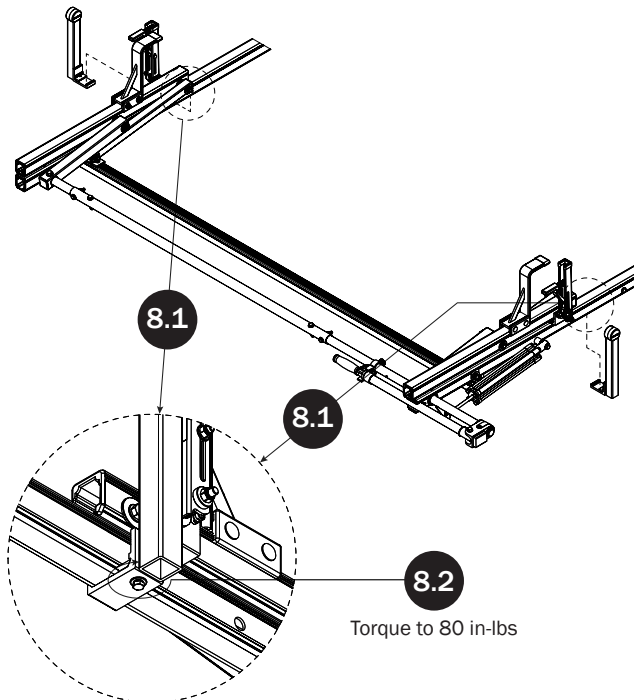
Z POSTS

SEE QUICK START GUIDE FOR ADJUSTMENTS

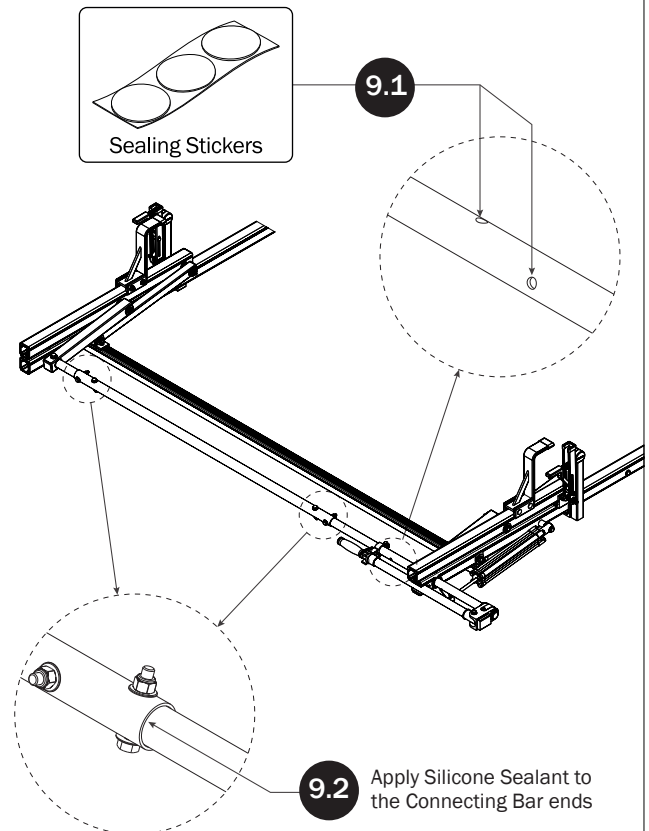


L POSTS

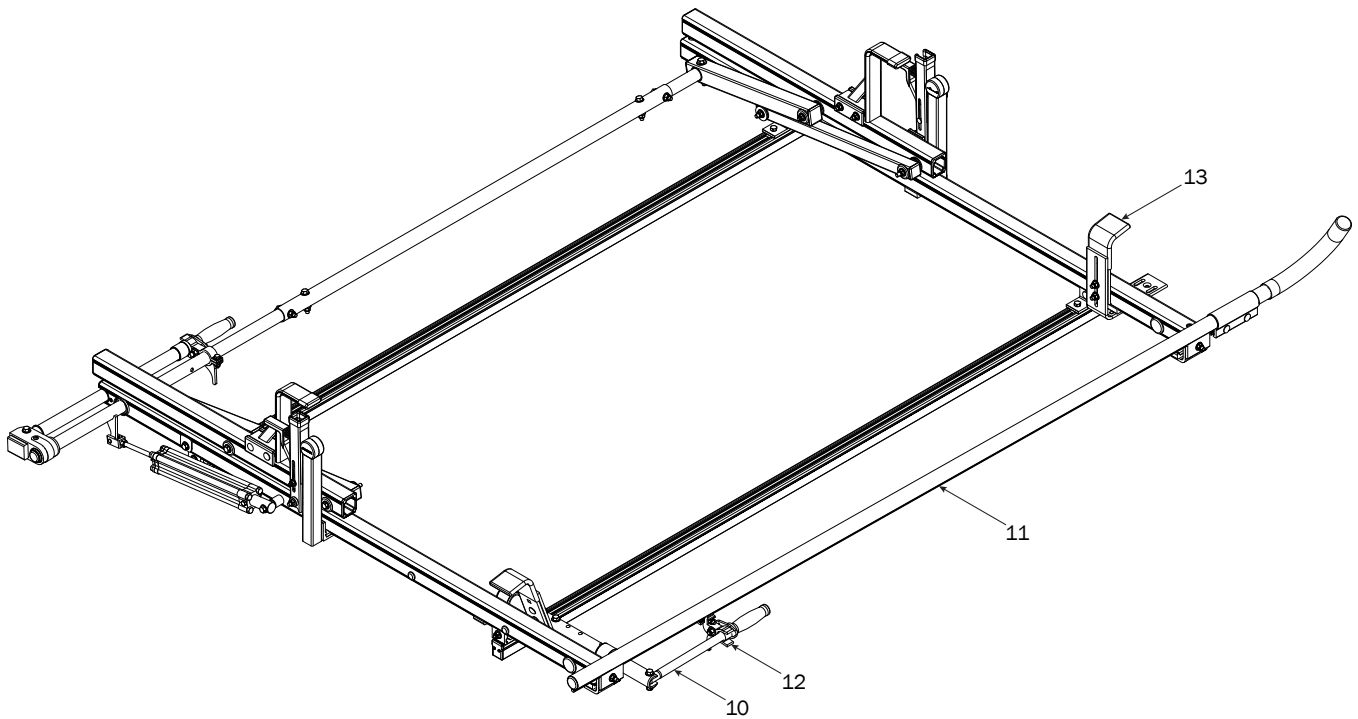
SEE QUICK START GUIDE FOR ADJUSTMENTS



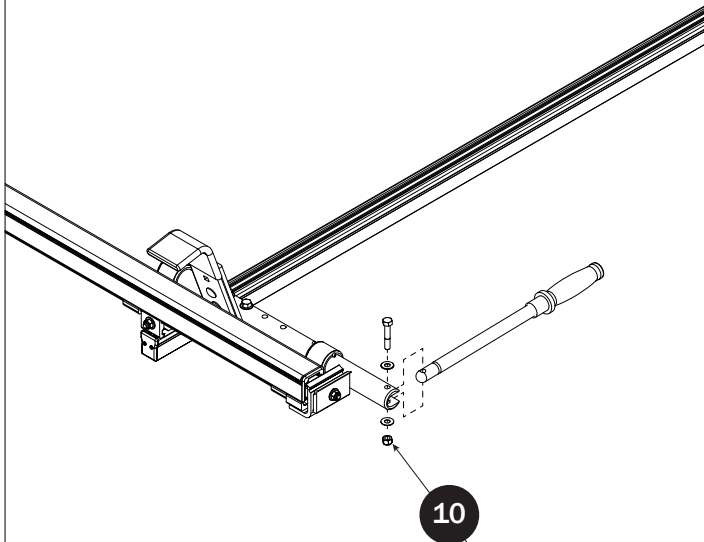
DRIVE SHAFT SEALING



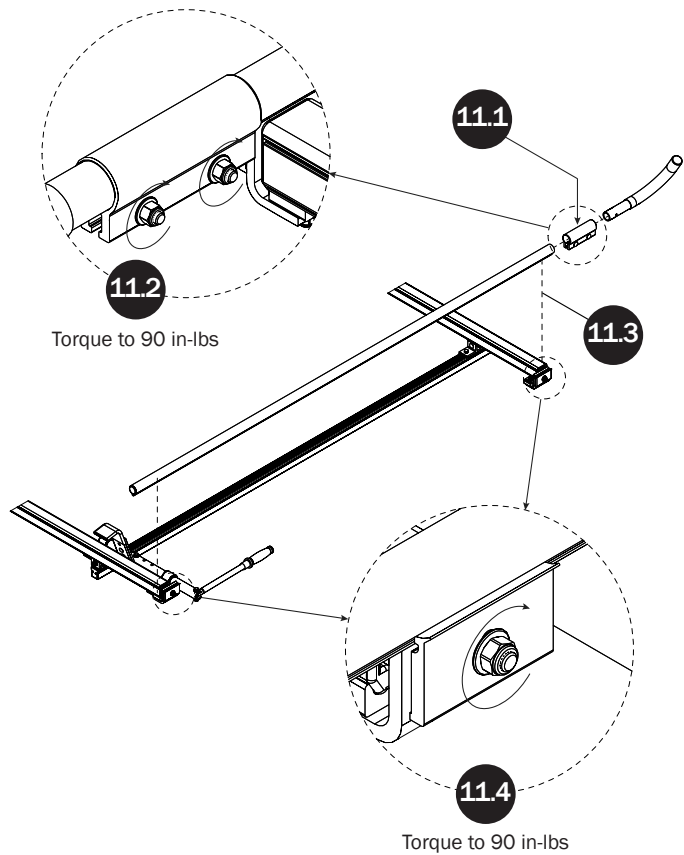
RIGHT CLAMP DOWN



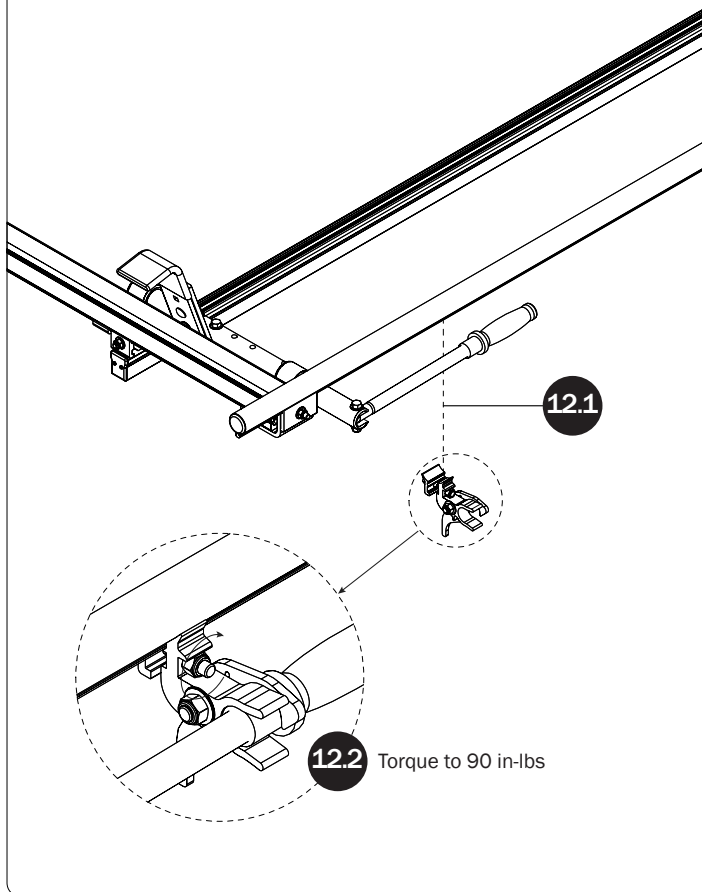
CLAMP DOWN HANDLE



CLAMP DOWN TUBE

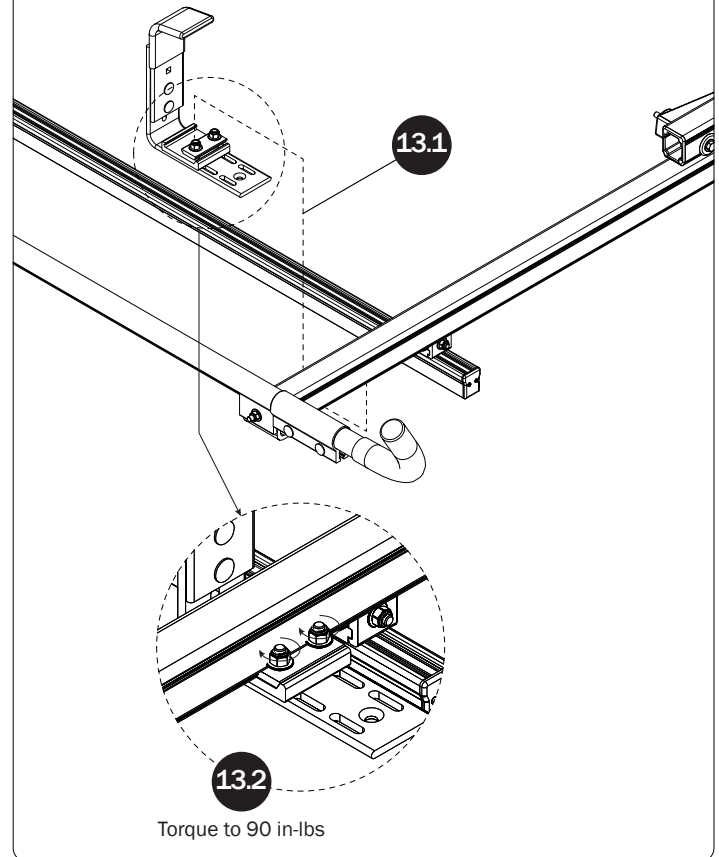


HANDLE LATCH

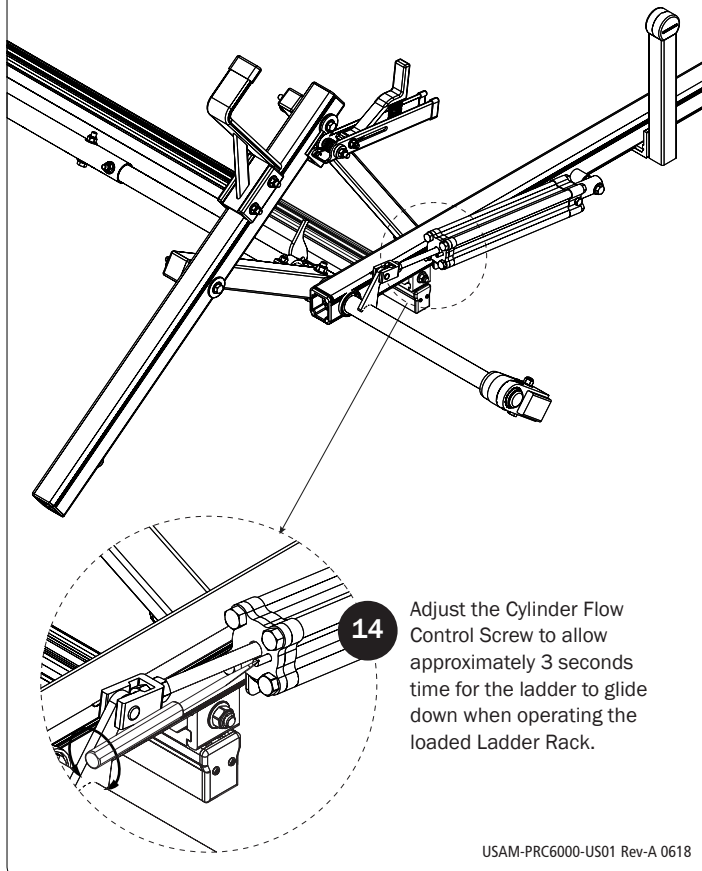


FRONT LADDER HOOK

SEE QUICK START GUIDE FOR ADJUSTMENTS



CYLINDER ADJUSTMENT



USAM-PRC6000-US01 Rev-A 0618