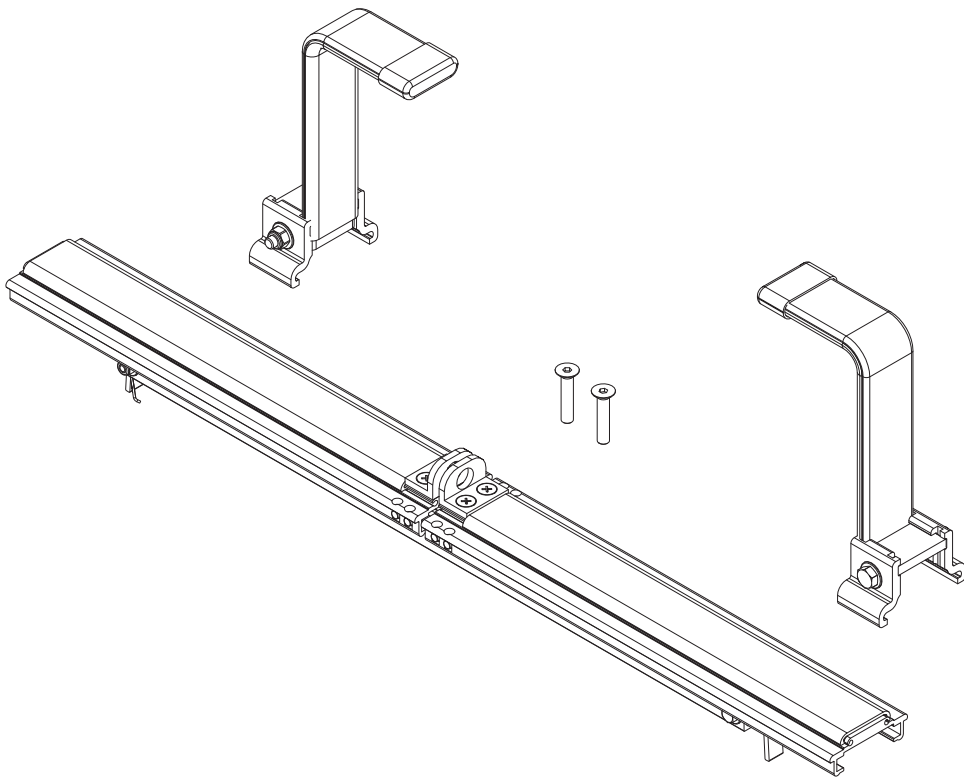


PRIME DESIGN™

A Safe Fleet Brand



DEPLOYPRO LOCK N GO

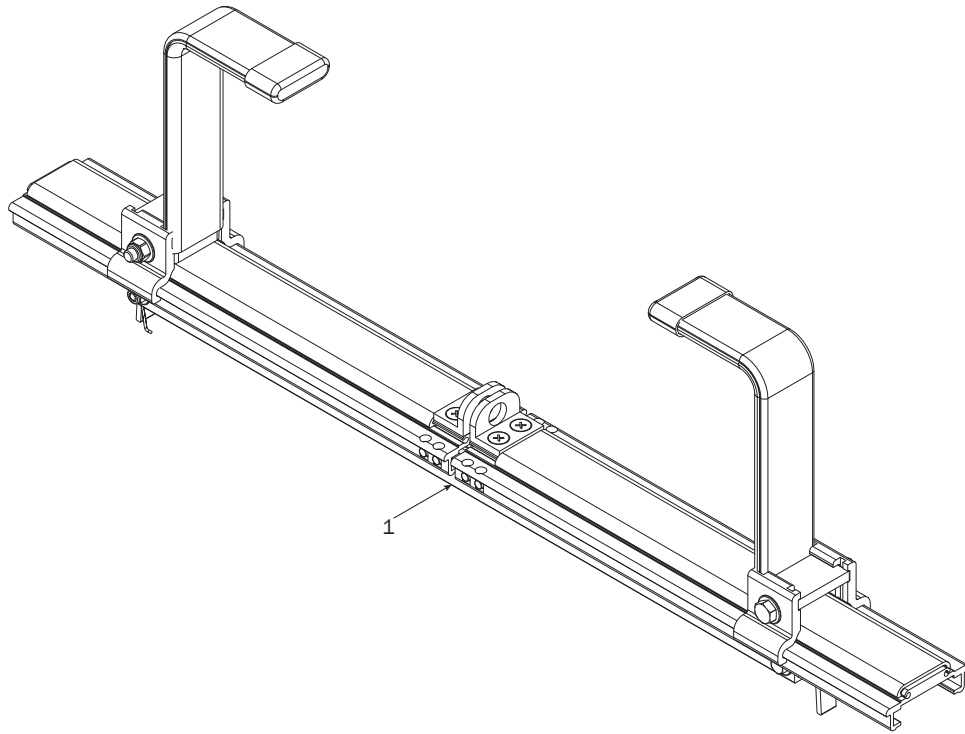
PRIME DESIGN, A SAFE FLEET BRAND

Address: 580 Opperman Drive, Eagan, MN 55123 • Toll Free: 1.8.PRIME.RACK

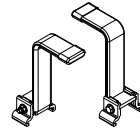
Fax: 651-552-1799 • Email: info@primedesign.net • Website: www.primedesign.net



CONTENTS OVERVIEW



1—PLR-8234..... (Qty 1)
 DeployPro Lock N Go Ladder Clamp Assembly



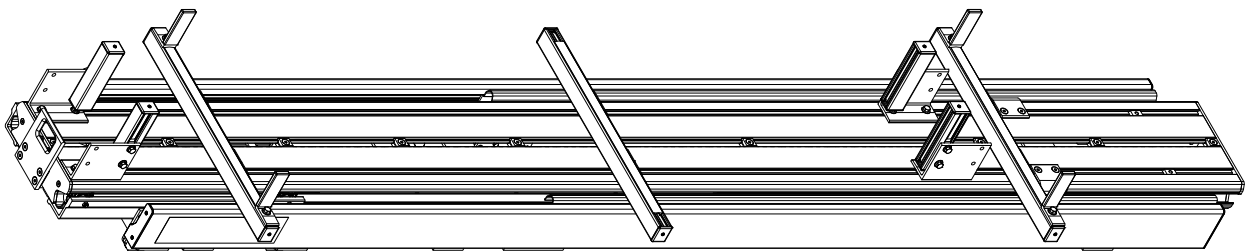
Z-Post Pair w/ Clamps (1X)



Slide Assembly (1X)

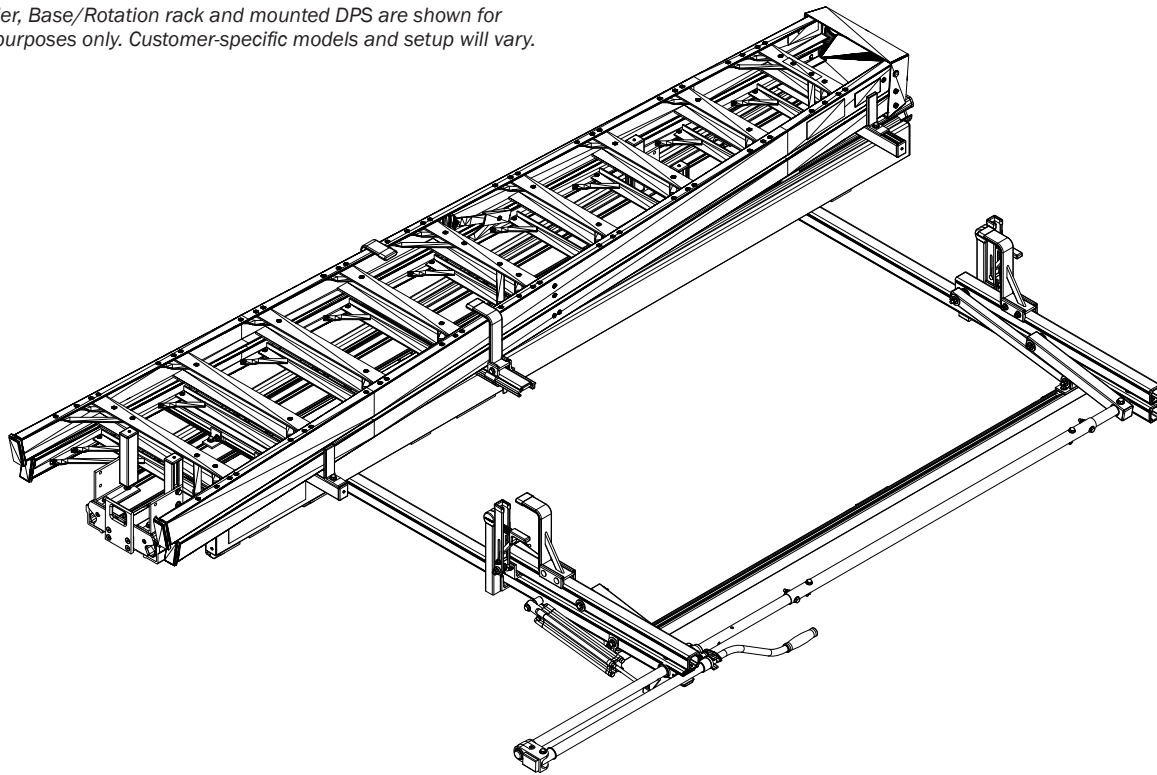
2—DPS 8000/8001 (shown for illustrative purposes only)
 Ordered separately

* Pre-assembly required. See your DeployPro
 Assembly Instructions for proper setup before
 installing the PLR-8234.



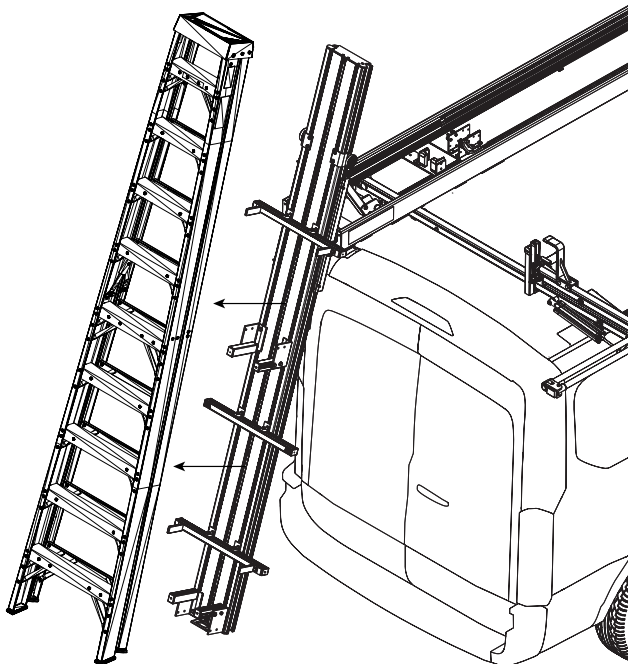
DEPLOYPRO LOCK N GO LADDER CLAMP ASSEMBLY SEQUENCE

NOTE: Ladder, Base/Rotation rack and mounted DPS are shown for illustrative purposes only. Customer-specific models and setup will vary.

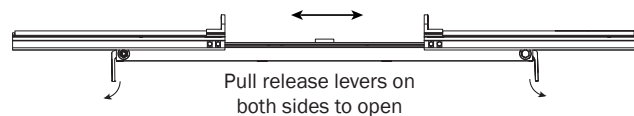
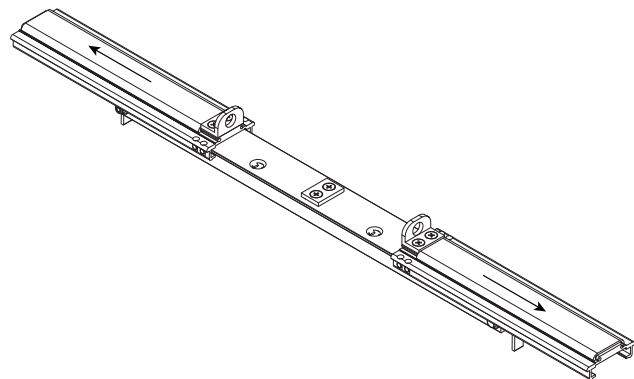


- 1** Where applicable, remove your ladder and straps before installing the Clamp base.

NOTE: Your ladder will be needed in Steps 4-6 for final adjustments.

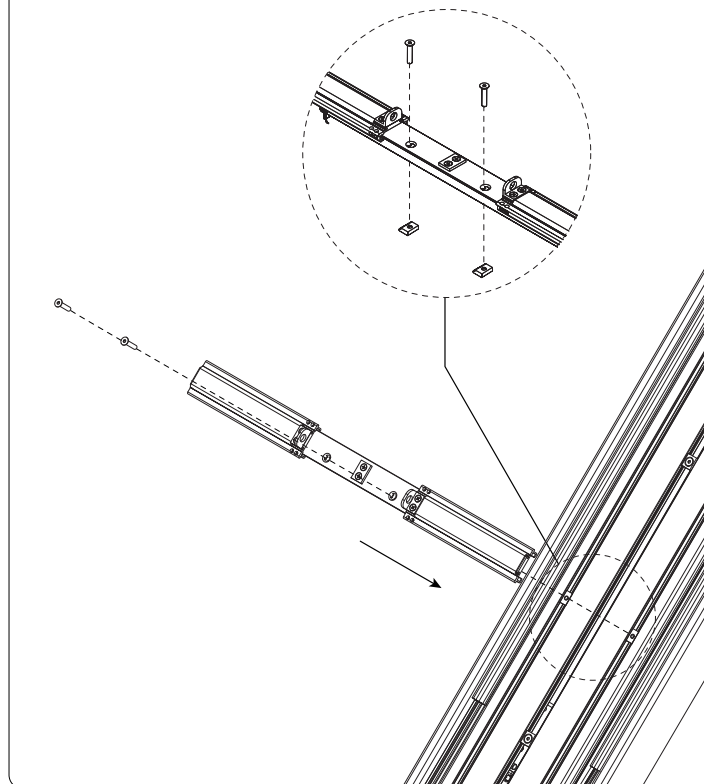


- 2** Slide the Clamp base into the open position as shown.



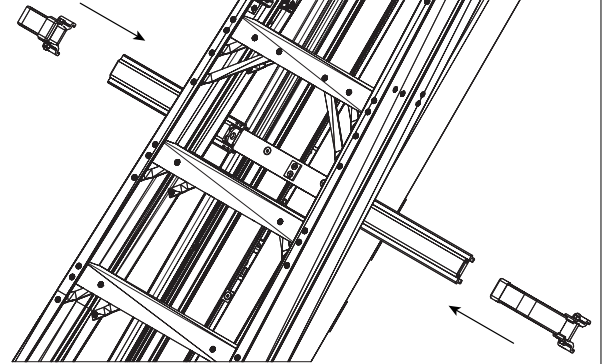
3

Install Clamp base with the included M8 Hardware into the DeployPro's pre-installed Strip Nuts as shown. Determine desired positioning on the DeployPro, and torque to 90 in-lbs.



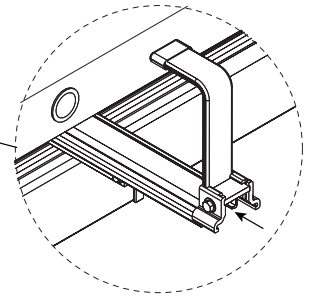
4

Position your ladder back onto the Deploy Pro. Install the Z-Posts onto the ends of the Clamp base as shown below.



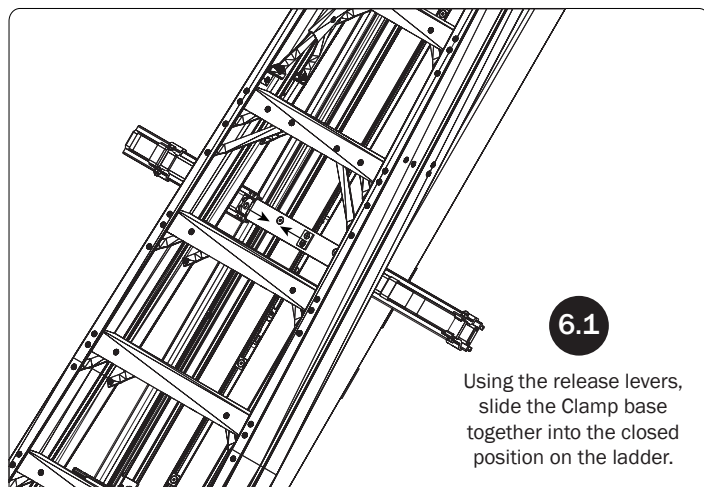
5

Finger-tighten Clamp Nuts only. Do not torque until Step 6.2



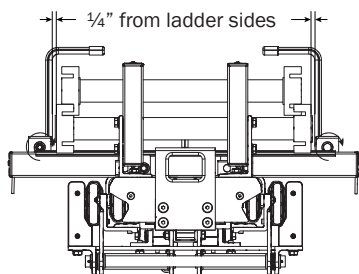
6.1

Using the release levers, slide the Clamp base together into the closed position on the ladder.

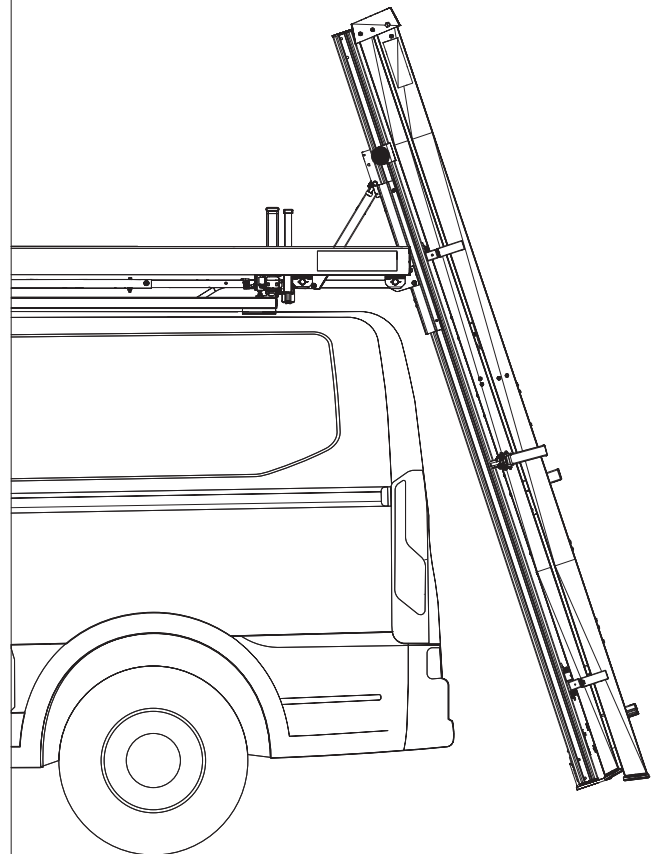


6.1

Slide Z-Posts in until they are approximately 1/4" from the sides of the ladder, and torque the Z-Post Clamp Nuts to 90 in-lbs.



NOTE: Ladder Straps will no longer be necessary, and may be discarded.



USAM-PLR8234-US01 Rev-A 0619