

PCR-6000

Pickup Rack, Universal

Dimensional Specifications on Page 2

Configuration as shown:

Clamp Down Left/Rotation Right

Two Crossbars, US Gen4

Finish: White Powder Coat

Rack Weight (empty): 71 lbs

Load specifications as shown:

Maximum Ladder Weight LH..... 100 lbs

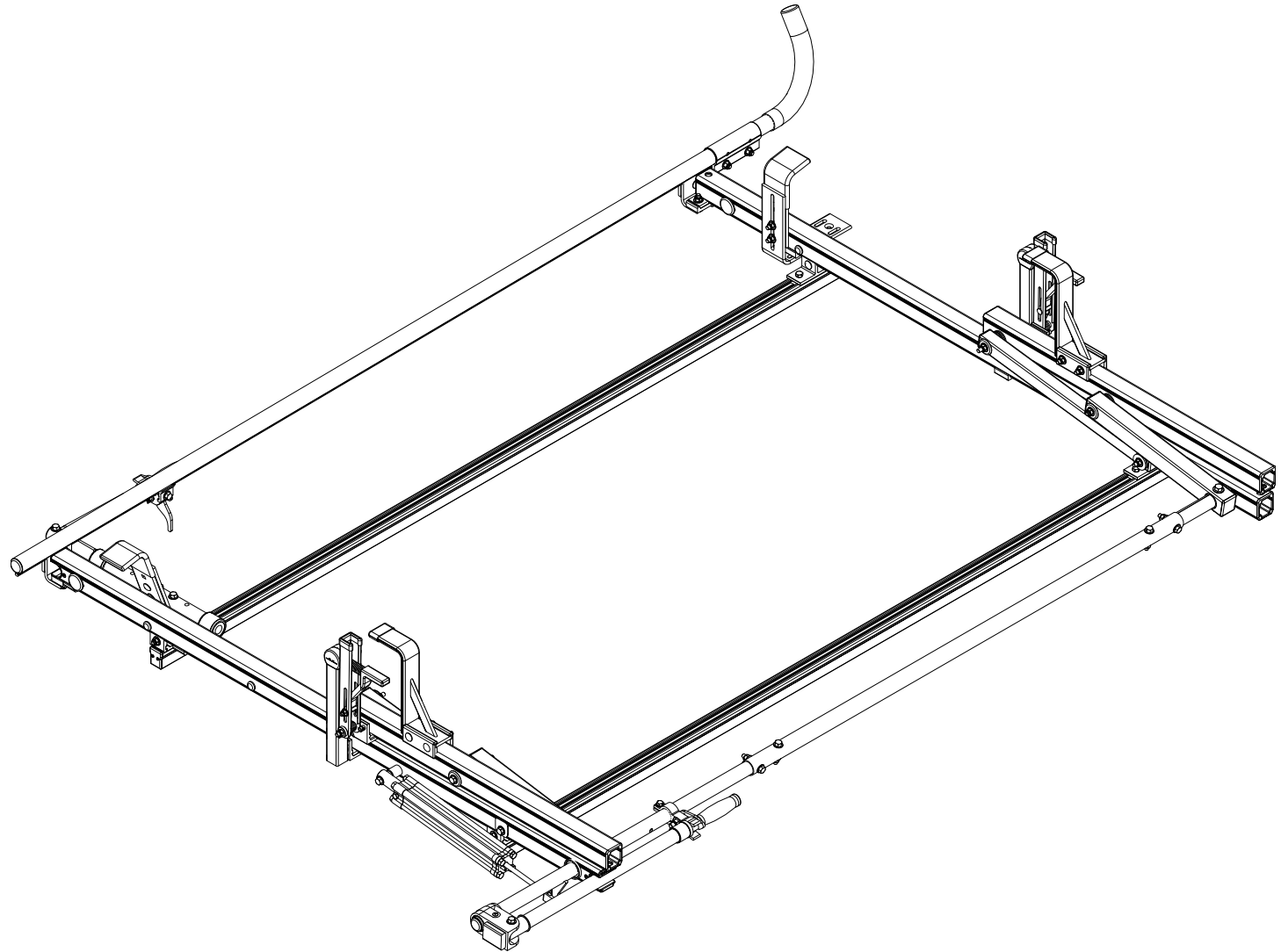
Maximum Ladder Length LH..... 24 ft

Maximum Ladder Section LH 12 ft

Maximum Ladder Weight RH 75 lbs

Maximum Ladder Length RH 24 ft

Maximum Ladder Section RH..... 12 ft



**Note: Mounting Hardware purchased separately.
For more information, please contact Sales & Support.*

PCR-6000

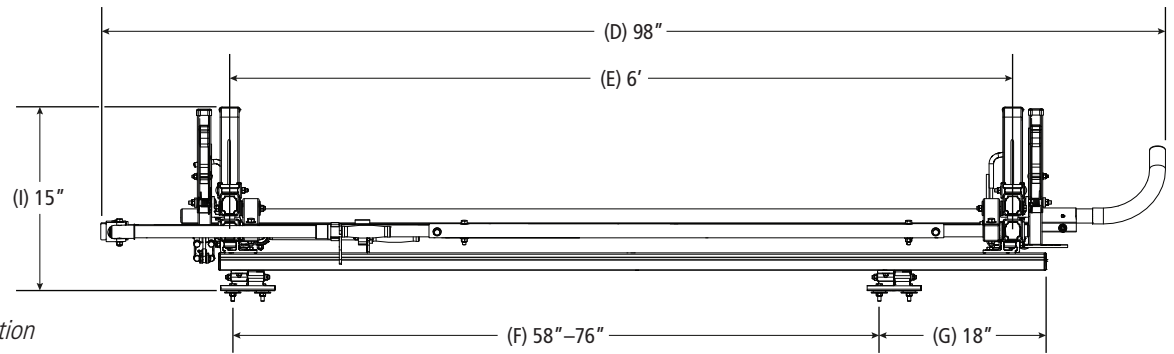
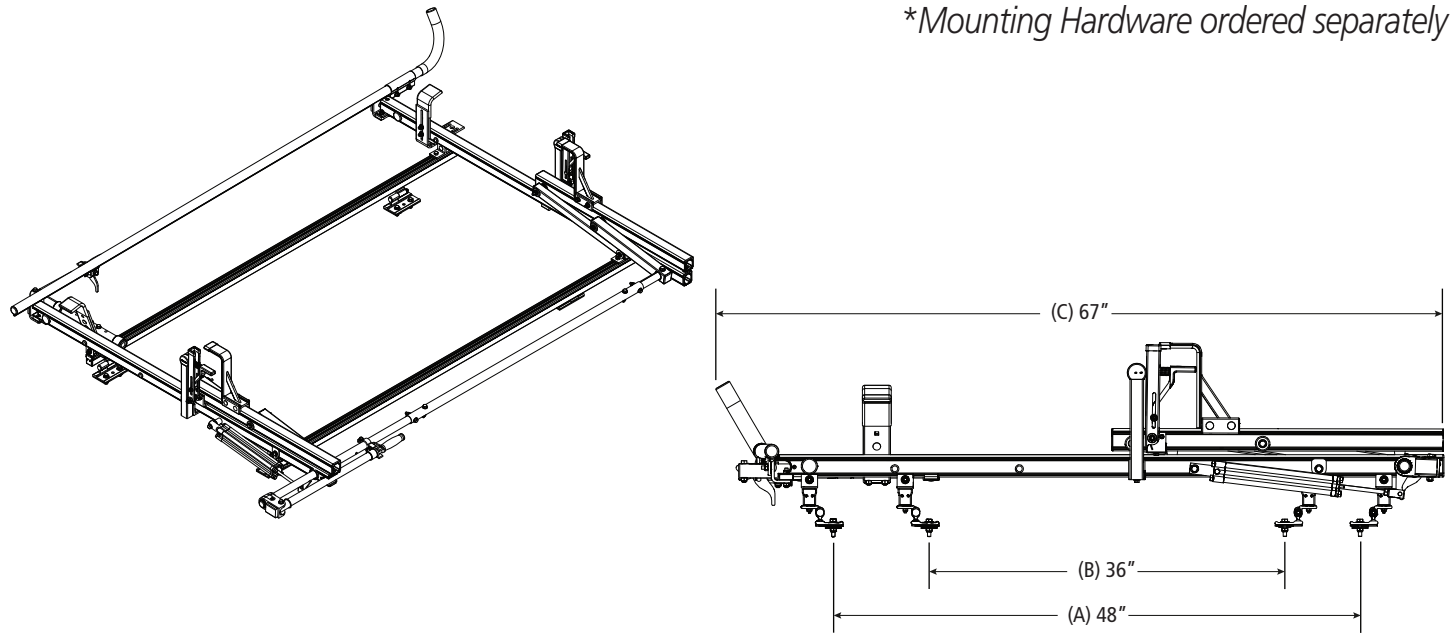
Pickup Rack, Universal

Shown with MPK-0007 for illustrative purposes only

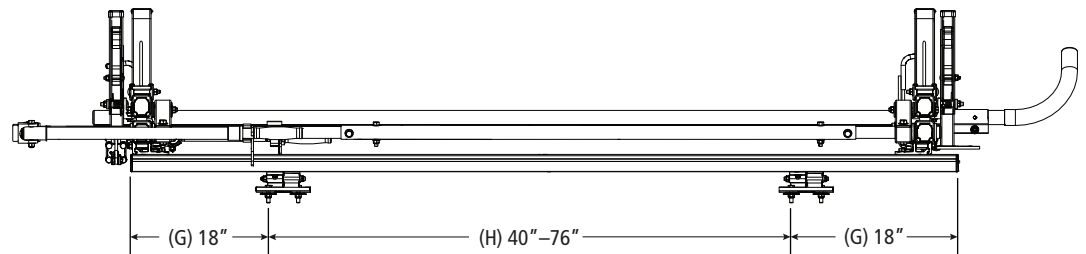
Approximate dimensions as shown:

- A: Maximum Mount Spacing L/R** 48"
- B: Minimum Mount Spacing L/R** 36"
- C: Rack Width 67"
- D: Rack Length 98"
- E: Crossbar Spacing 6'
- F: Mount Spacing F/R (Typ) 58"–76"
- G: Maximum Mount Offset 18"
- H: Mount Spacing F/R (Alt) 40"–76"
- I: Rack Height 15"

*Mounting Hardware ordered separately



Typical Installation



Alternate Installation

*Note: Mounting Hardware purchased separately. For more information, please contact Sales & Support.

**Note: Dimensions may vary depending on topper reinforcing plate locations.

Assembly Manual also available:

PCR-6000

USOV-PCR6000-US01 Rev-A 0118