

PCR-6000E

Pickup Rack, Universal

Dimensional Specifications on Page 2

Configuration as shown:

Clamp Down Left/Rotation Right

Two Crossbars, US Gen4

Finish: White Powder Coat

Rack Weight (empty): 70 lbs

Load specifications as shown:

Maximum Ladder Weight LH..... 100 lbs

Maximum Ladder Length LH..... 24 ft

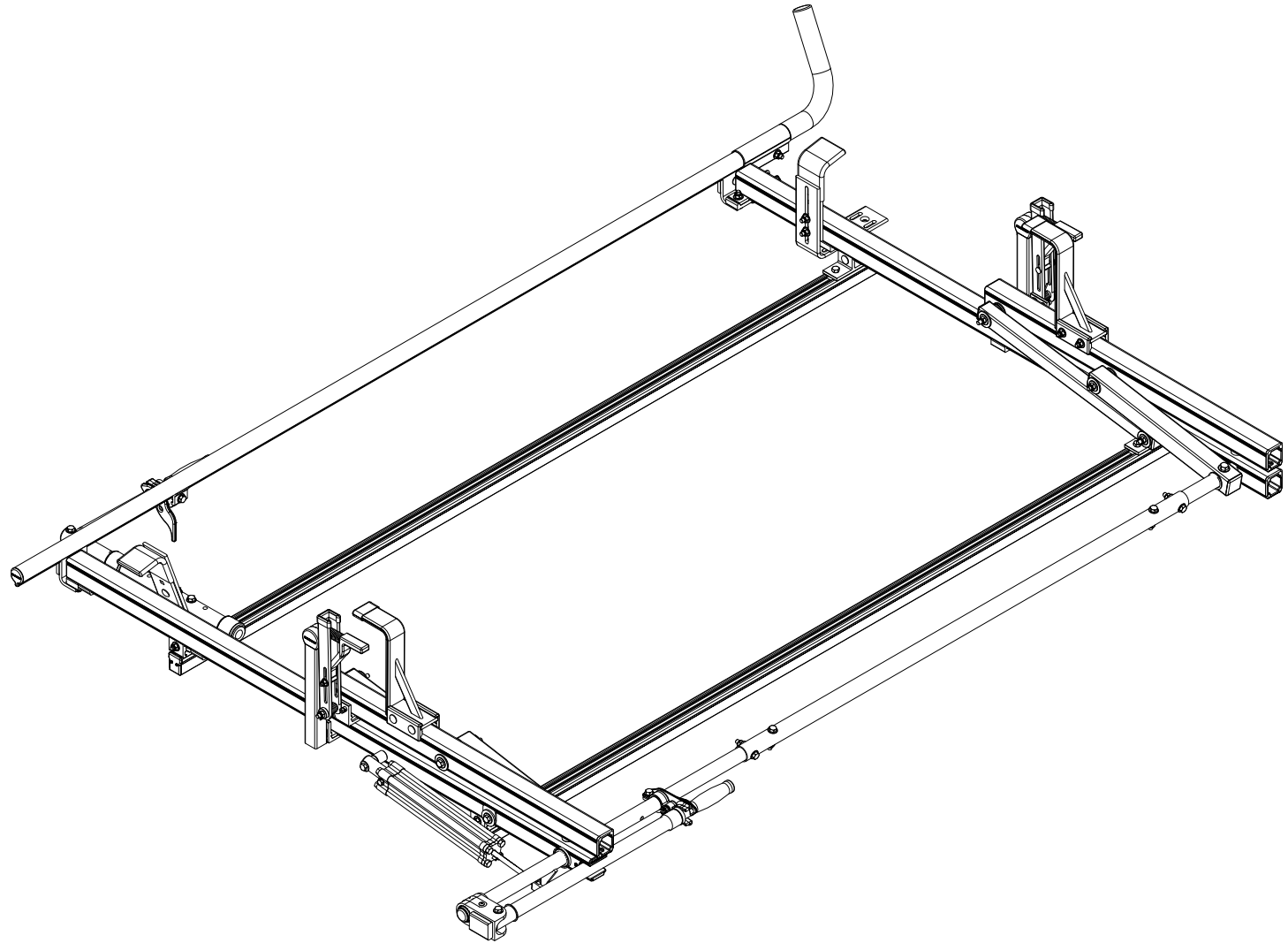
Maximum Ladder Section LH 12 ft

Maximum Ladder Weight RH 75 lbs

Maximum Ladder Length RH 24 ft

Maximum Ladder Section RH..... 12 ft

**Mounting Hardware ordered separately*



**Note: Mounting Hardware purchased separately.
For more information, please contact Sales & Support.*

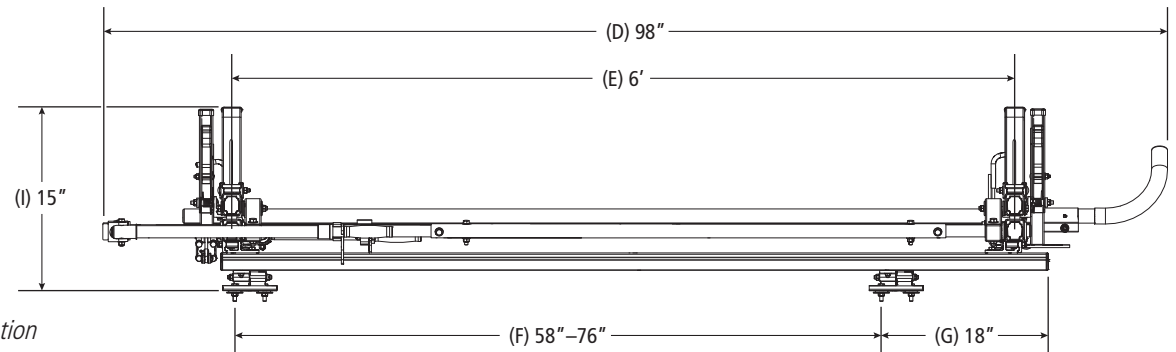
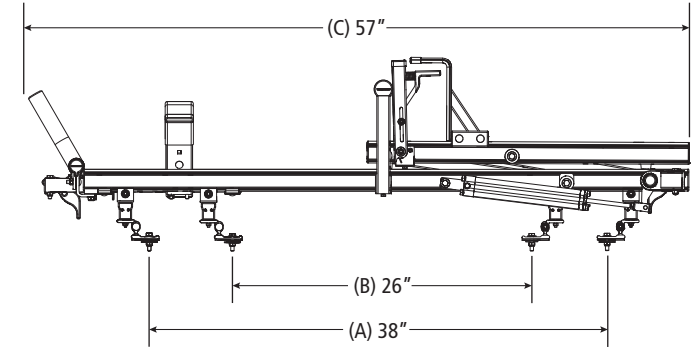
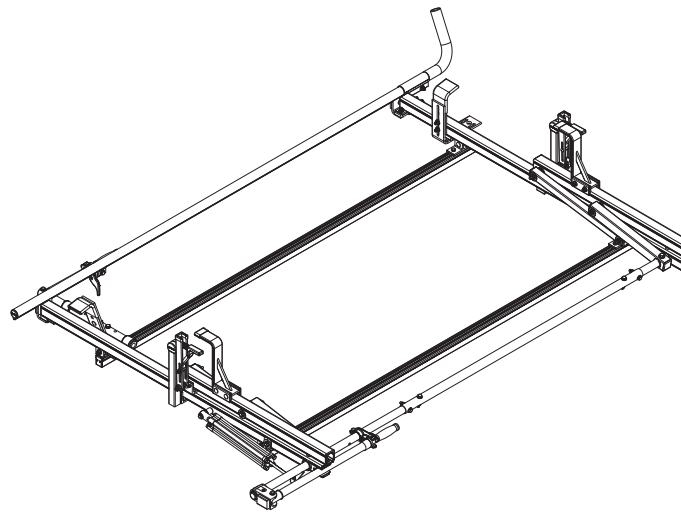
PCR-6000E

Pickup Rack, Universal

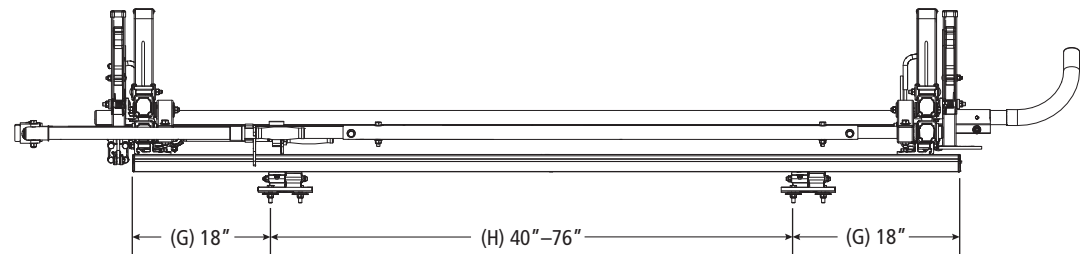
Shown with MPK-0007 for illustrative purposes only

Approximate dimensions as shown:

A: Maximum Mount Spacing L/R**	38"
B: Minimum Mount Spacing L/R**	26"
C: Rack Width	57"
D: Rack Length	98"
E: Crossbar Spacing	6'
F: Mount Spacing F/R (Typ)	58"–76"
G: Maximum Mount Offset	18"
H: Mount Spacing F/R (Alt)	40"–76"
I: Rack Height	15"



Typical Installation



Alternate Installation

*Mounting Hardware ordered separately

*Note: Mounting Hardware purchased separately. For more information, please contact Sales & Support.

**Note: Dimensions may vary depending on topper reinforcing plate locations.

Assembly Manual also available:

PCR-6000E

USOV-PCR6000E-US01 Rev-A 0818