

PCC3-0017

Pickup Quick Clamp

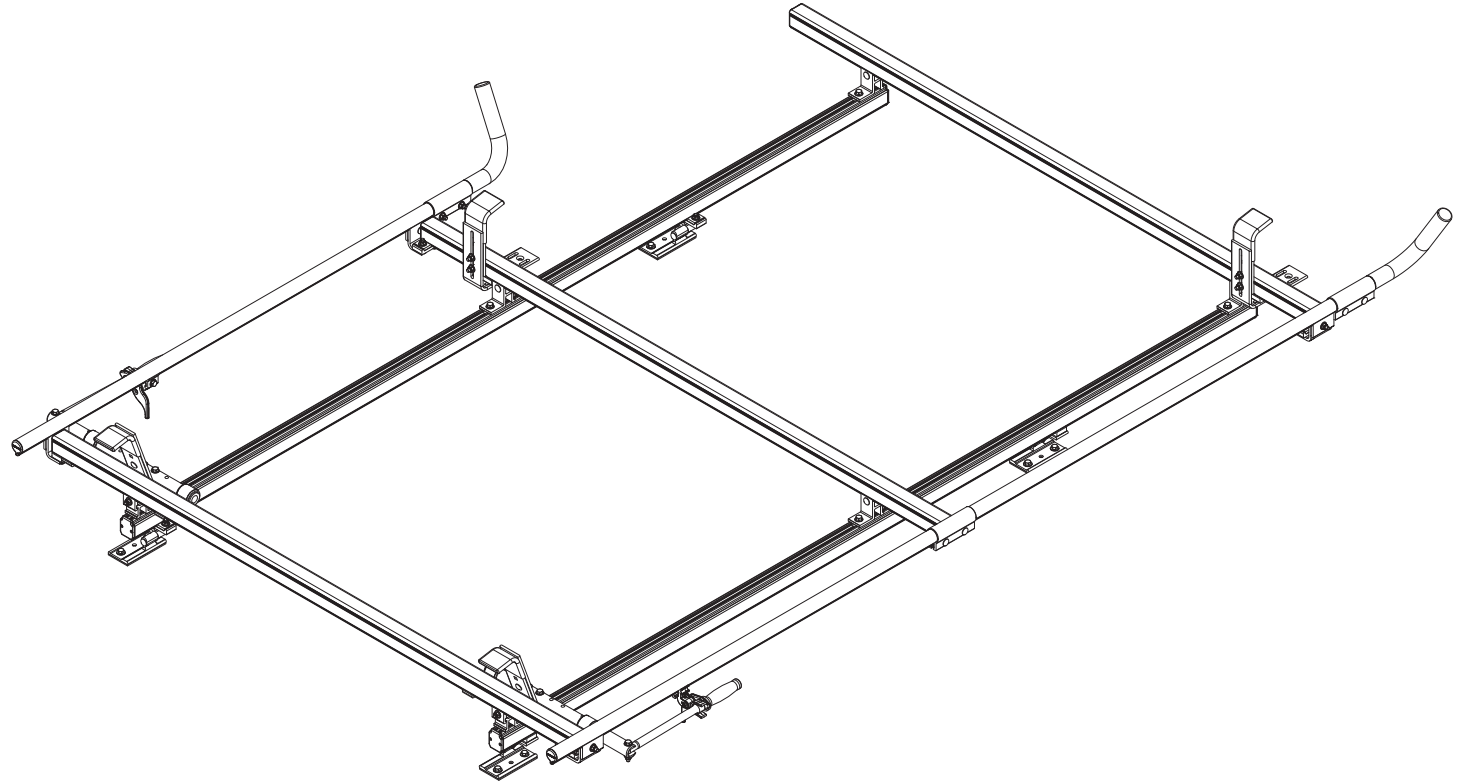
Dimensional Specifications on Page 2

Configuration as shown:

Clamp Down Left/Clamp Down Right
Three Crossbars, US Gen4
FBM3-0019 Mounting System
Finish: White Powder Coat
Rack Weight (empty): 67 lbs

Load specifications as shown:

Maximum Ladder Weight LH..... 100 lbs
Maximum Ladder Length LH..... 16 ft
Maximum Ladder Section LH 8 ft
Maximum Ladder Weight RH 100 lbs
Maximum Ladder Length RH 32 ft
Maximum Ladder Section RH..... 16 ft



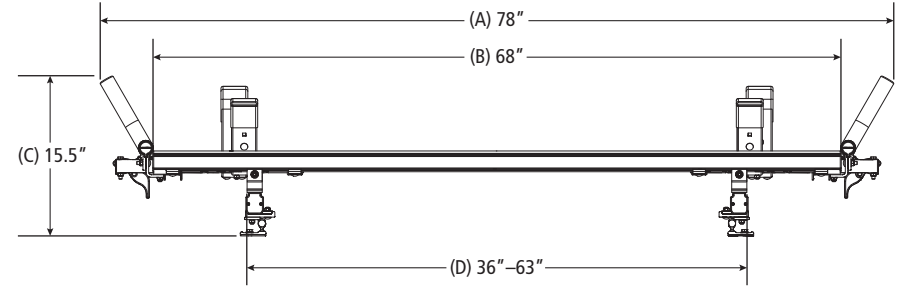
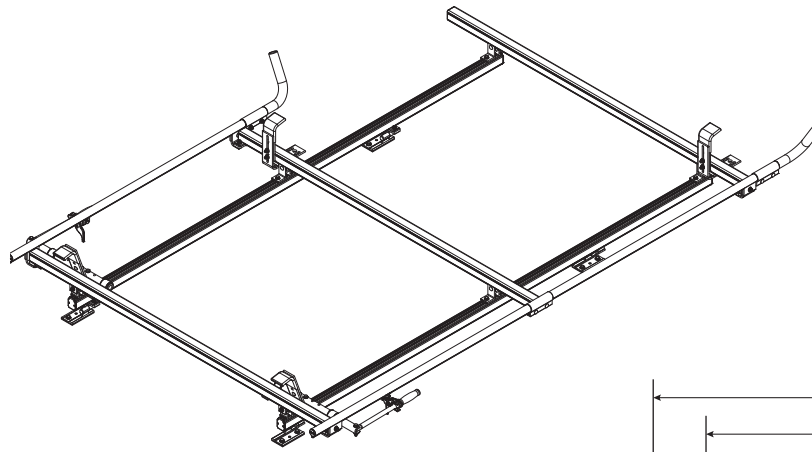
PCC3-0017

Pickup Quick Clamp

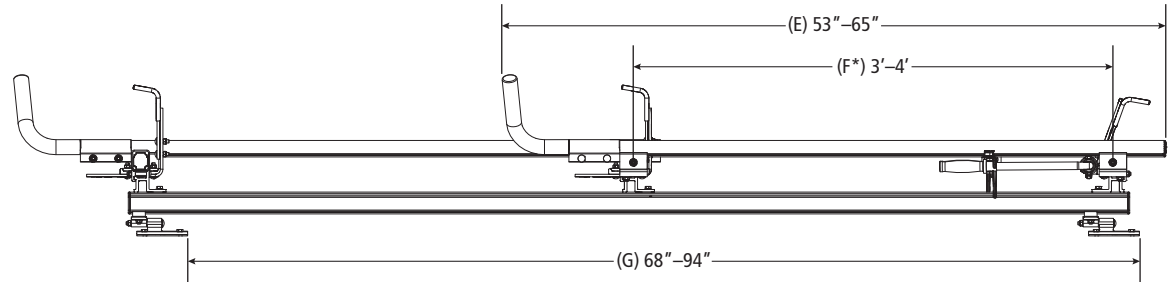
Approximate dimensions as shown:

A: Rack Width	78"
B: Crossbar Length	68"
C: Rack Height	15.5"
D: Channel Mounting Width	36"-63"
E: LH Clamp Down Length	53"-65"
F: LH Crossbar Spacing*	3'-4'
G: Channel Mounting Bracket	68"-94"
H: RH Clamp Down Length	77"-113"
I: RH Crossbar Spacing R/C*	3'-4'
J: LH Crossbar Spacing C/F	2'-4'

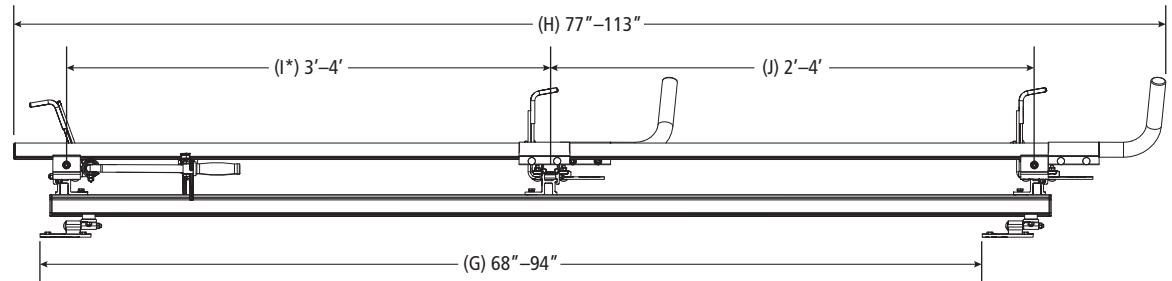
*Note: The LH and RH Rear Crossbar spacing must match regardless of the configuration.



Left Hand View*



Right Hand View*



Assembly Manual also available:

PCC3-0017

USOV-PCC30017-US01 Rev-A 0118