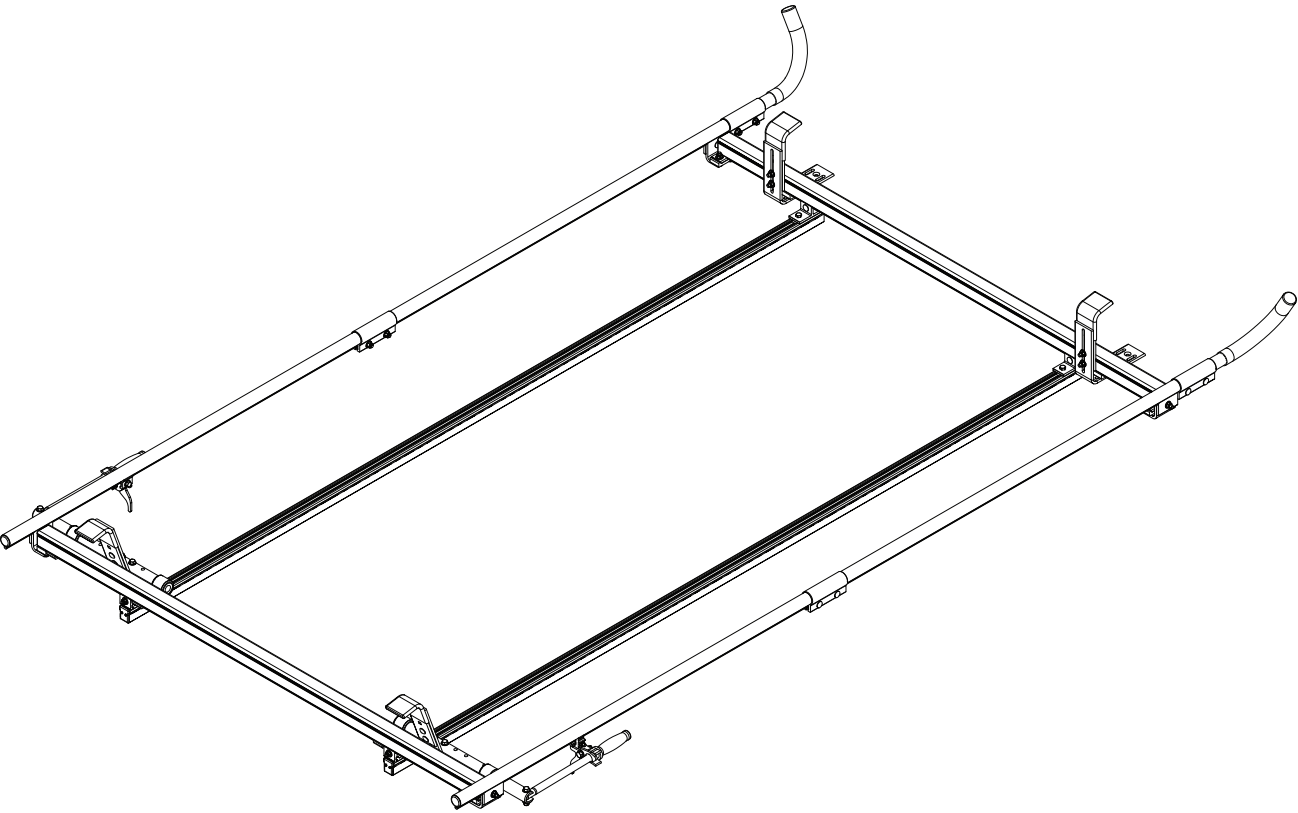


PRIME DESIGN™

A Safe Fleet Brand

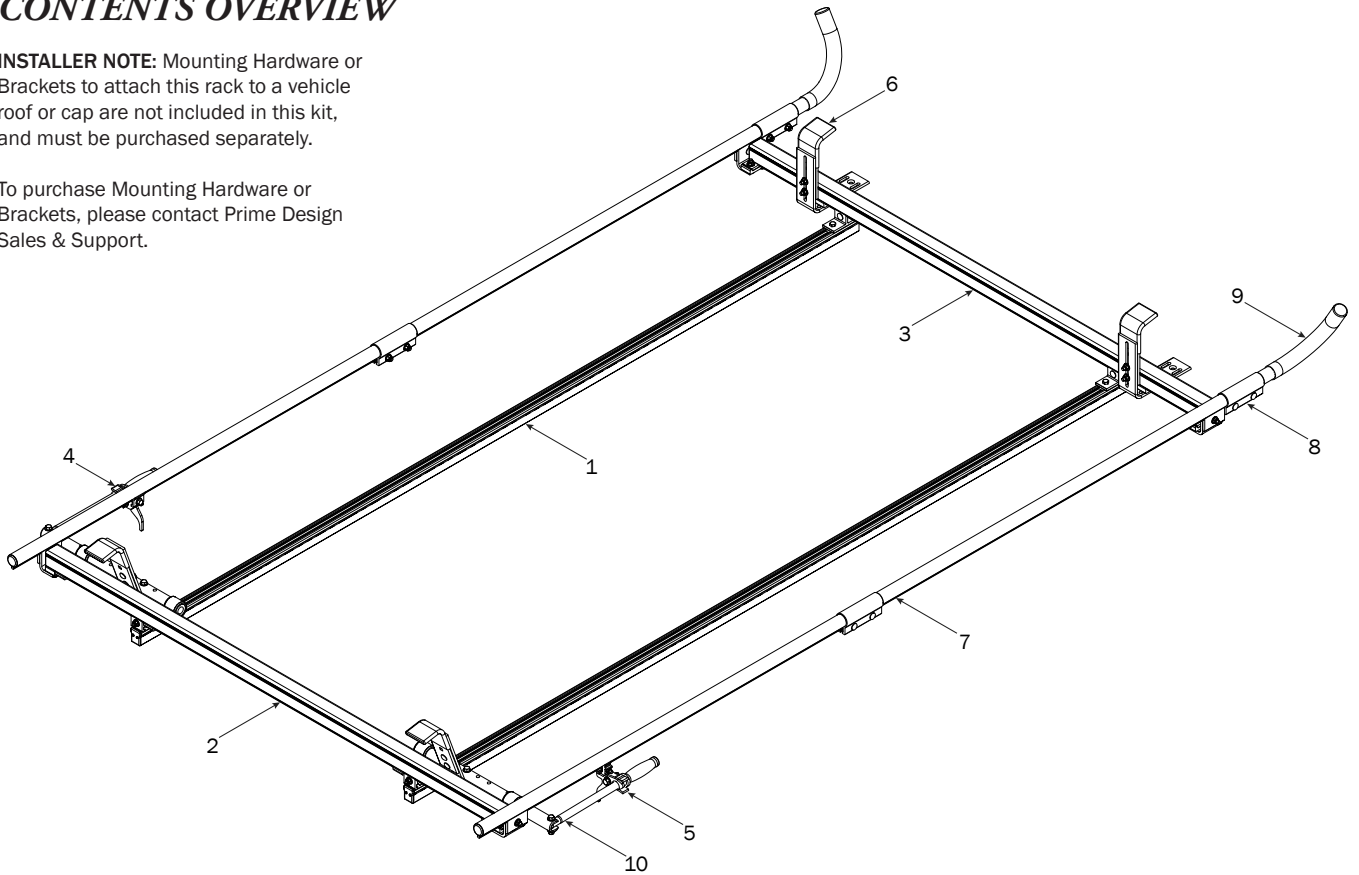


PCC 6001

CONTENTS OVERVIEW

INSTALLER NOTE: Mounting Hardware or Brackets to attach this rack to a vehicle roof or cap are not included in this kit, and must be purchased separately.

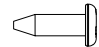


To purchase Mounting Hardware or Brackets, please contact Prime Design Sales & Support.



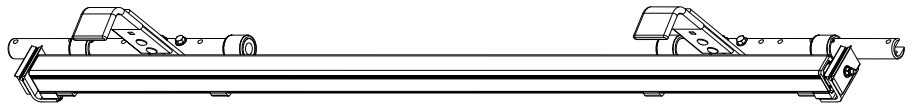
1—FBM-0002 (Qty 1)
Channels with hardware

Channels (2X)

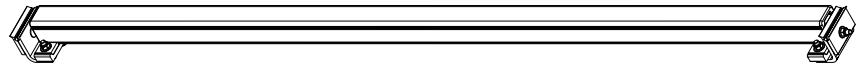


 Screws (8X)  End Caps (4X)  Brackets (4X)

2—Rear Crossbar Assembly (Qty 1)



3—Front Crossbar Assembly (Qty 1)



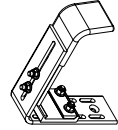
4—Handle Latch Assembly (Qty 1)
Right Hand



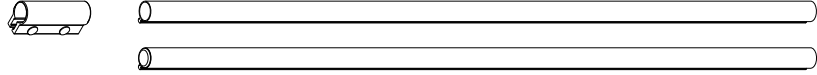
5—Handle Latch Assembly (Qty 1)
Left Hand



6—Front Hook Assembly (Qty 2)



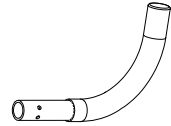
7—Clamp Down Tube (Qty 2)
104.00" w/Tube Splice



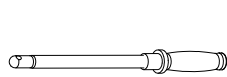
8—Quick Clamp Tube Splice Assembly (Qty 2)
5.00"



9—Removeable Horn with Cap (Qty 2)
15.00"



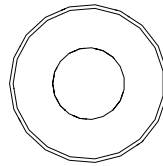
10—Clamp Down Handle Assembly (Qty 2)



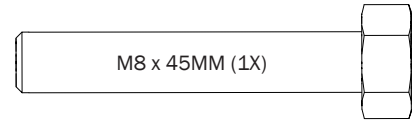
Clamp Down Handle (1X)



M8 Lock Nut (1X)

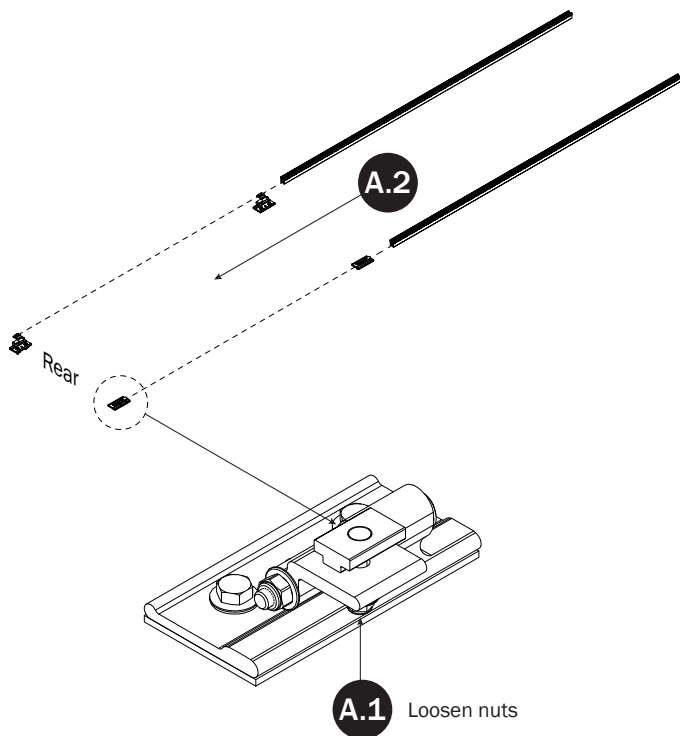


5/16" Flat Washer (2X)

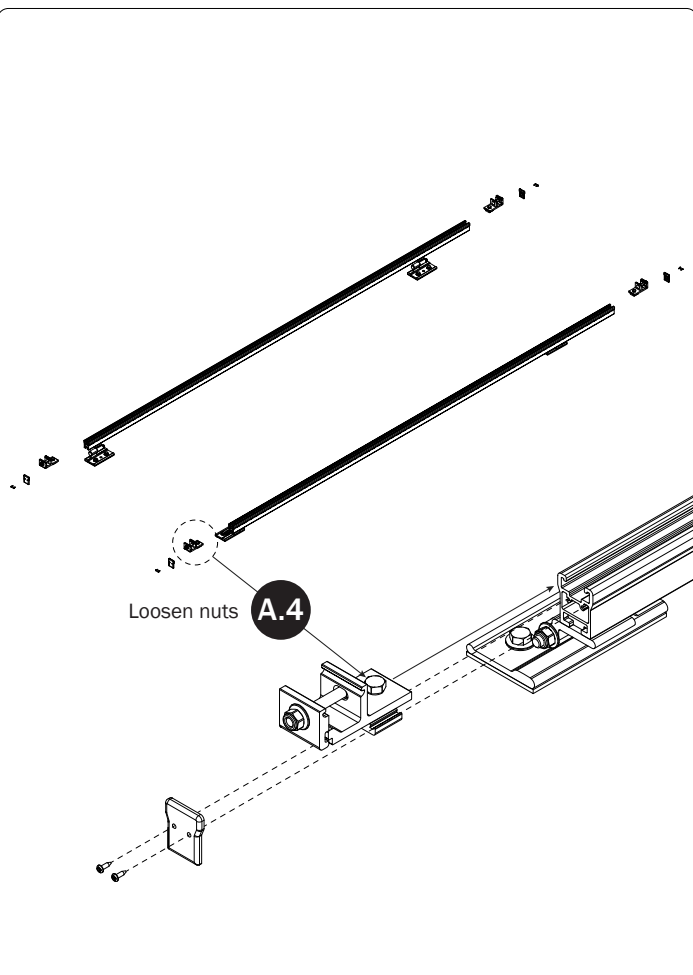
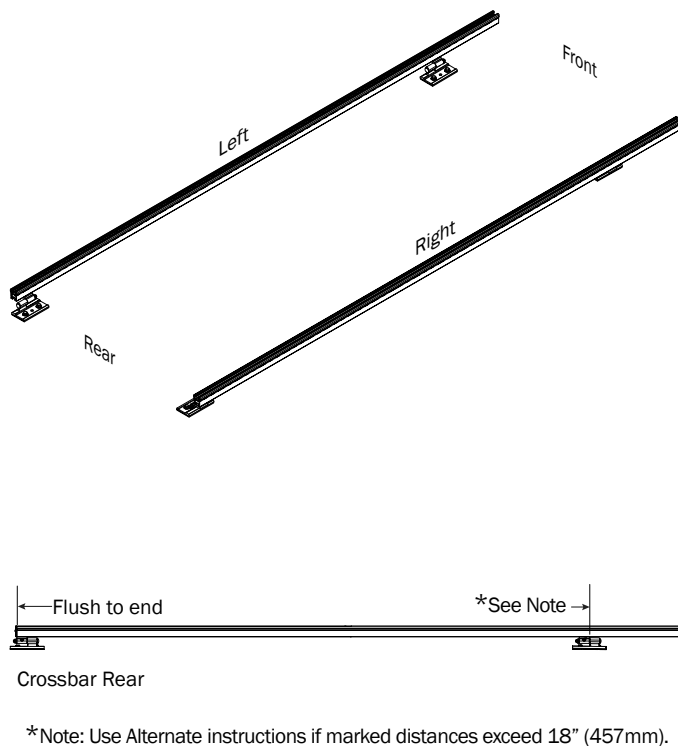


M8 x 45MM (1X)

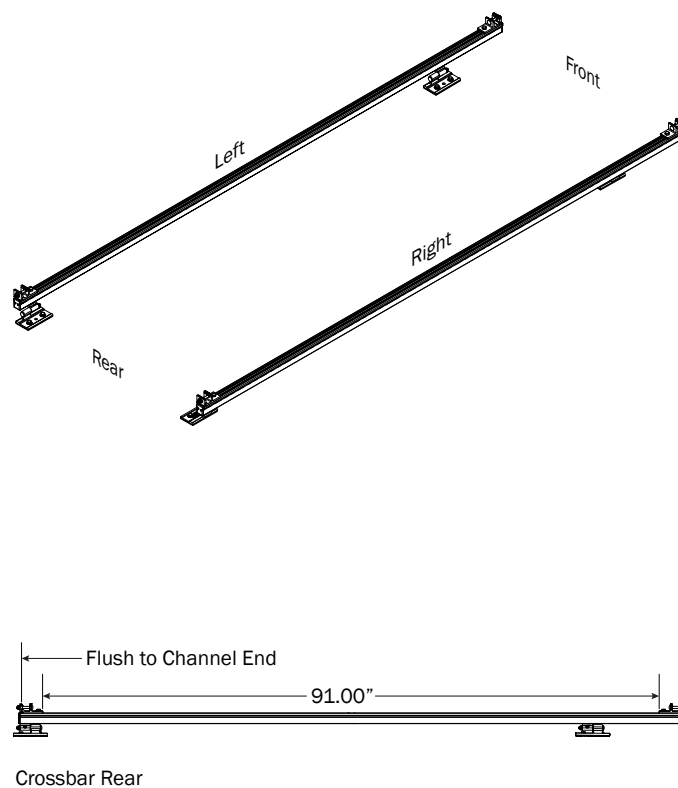
FBM-0002 FLUSH CHANNELS TO PRE-INSTALLED MOUNTING BRACKETS



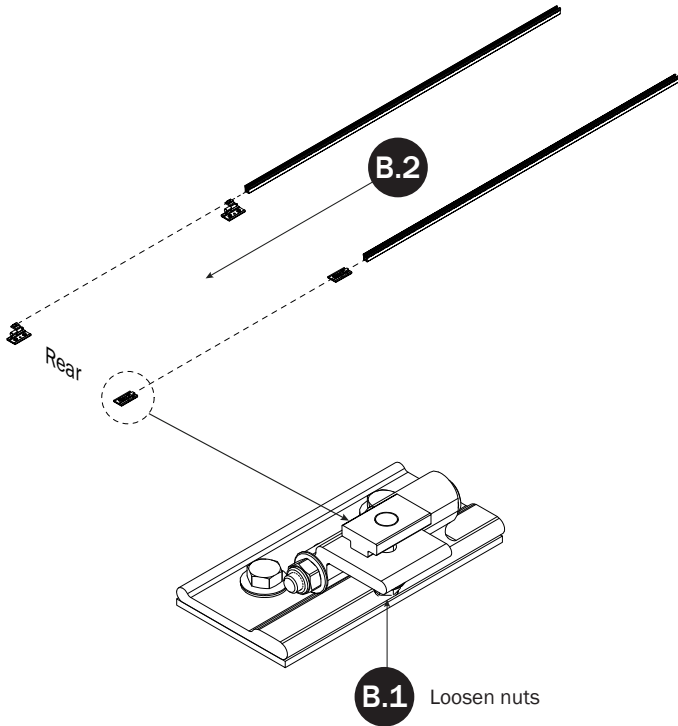
A.3 Set to distances then torque nuts to 80 in-lbs



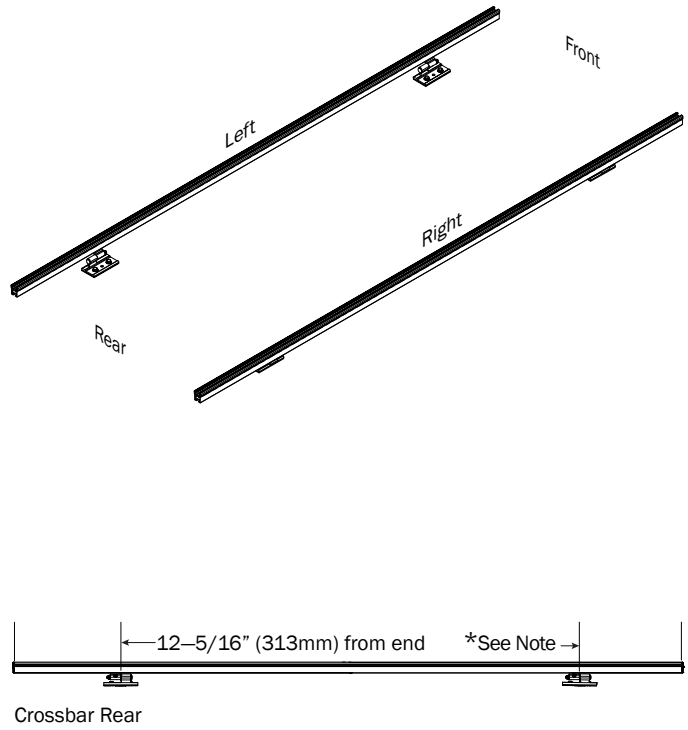
A.5 Set to distances then torque Rear Bracket nuts to 90 in-lbs



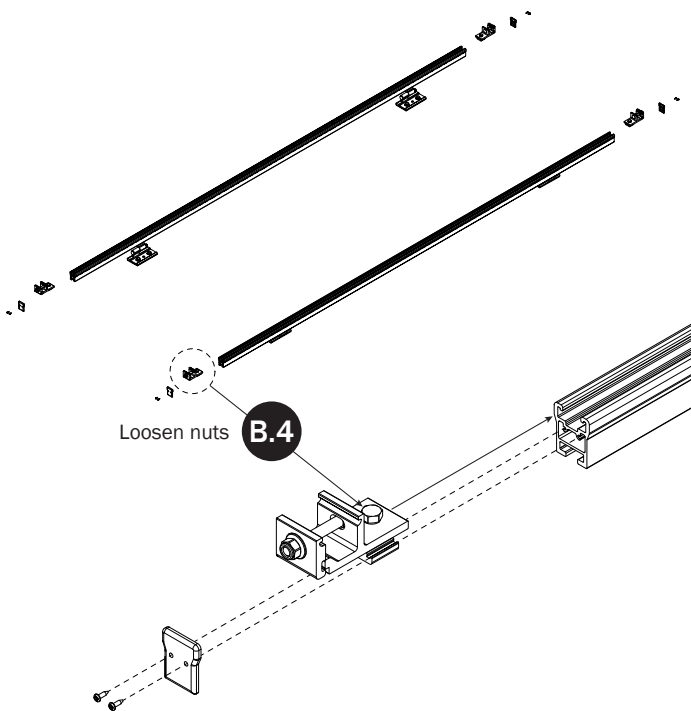
FBM-0002 ALTERNATE
CHANNELS TO PRE-INSTALLED
MOUNTING BRACKETS



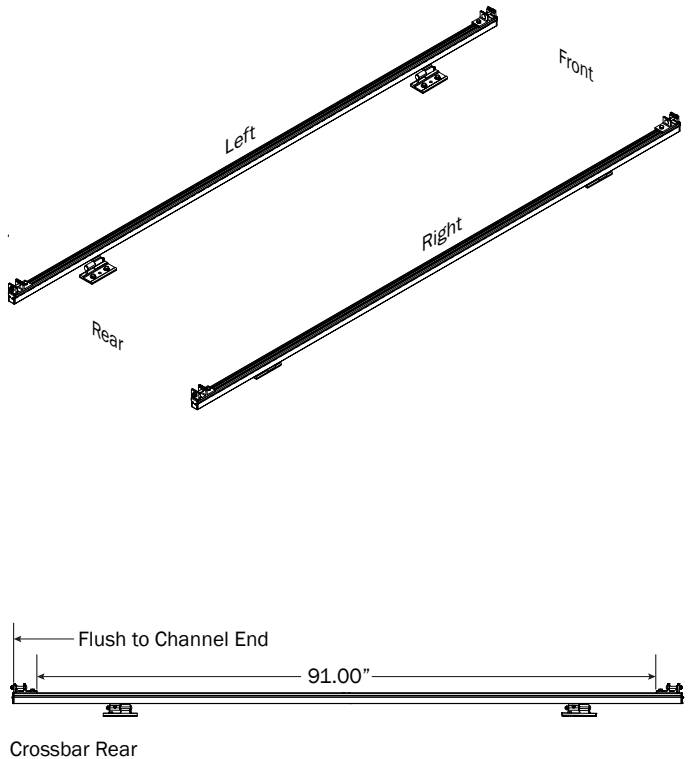
B.3 Set to distances then torque nuts to 80 in-lbs



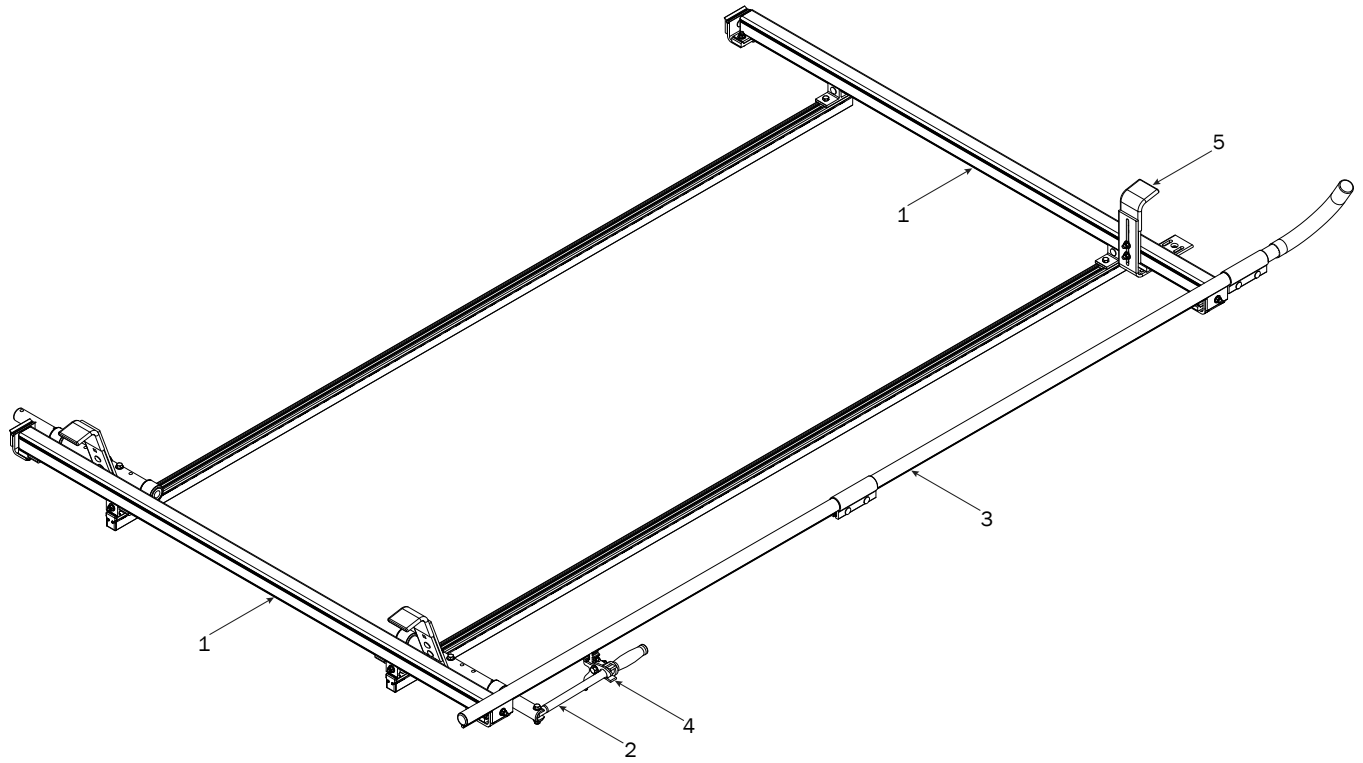
*Note: Move Channels rearward if marked front distance exceeds 18" (457mm).



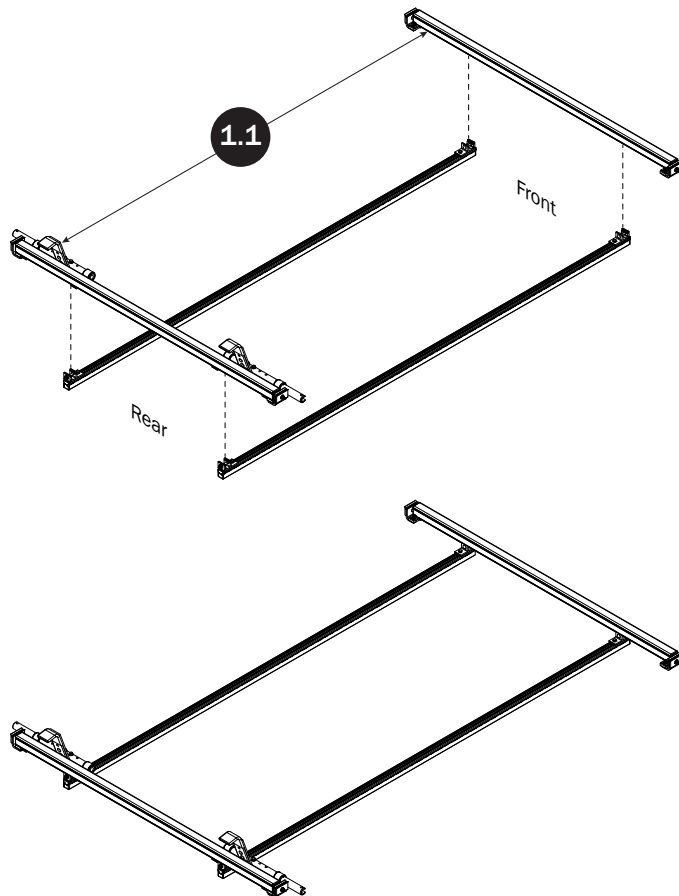
B.5 Set to distances then torque Rear Bracket nuts to 90 in-lbs



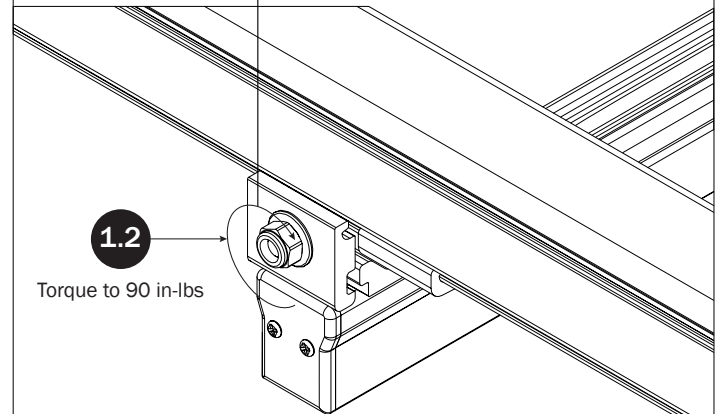
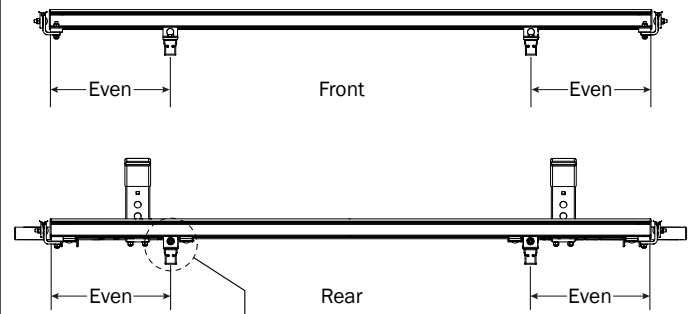
**RIGHT CLAMP DOWN
ASSEMBLY SEQUENCE**



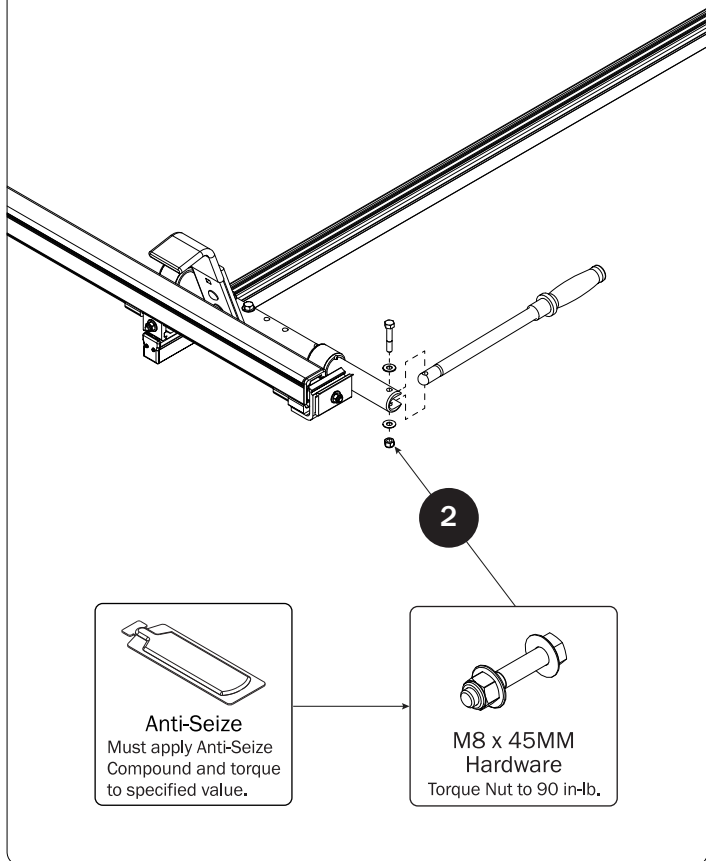
CROSSBARS



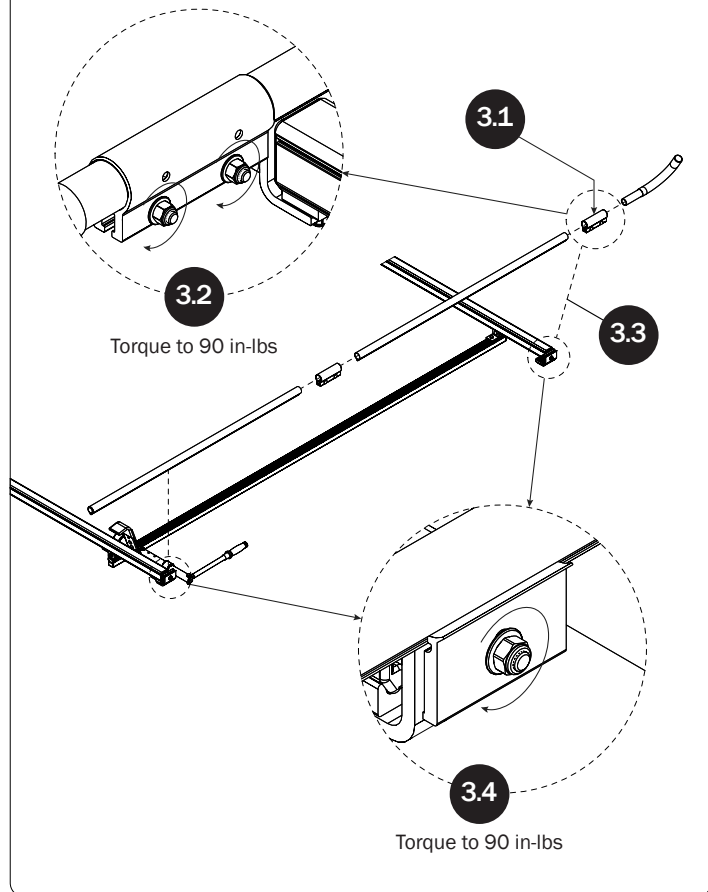
CROSSBAR ADJUSTMENT



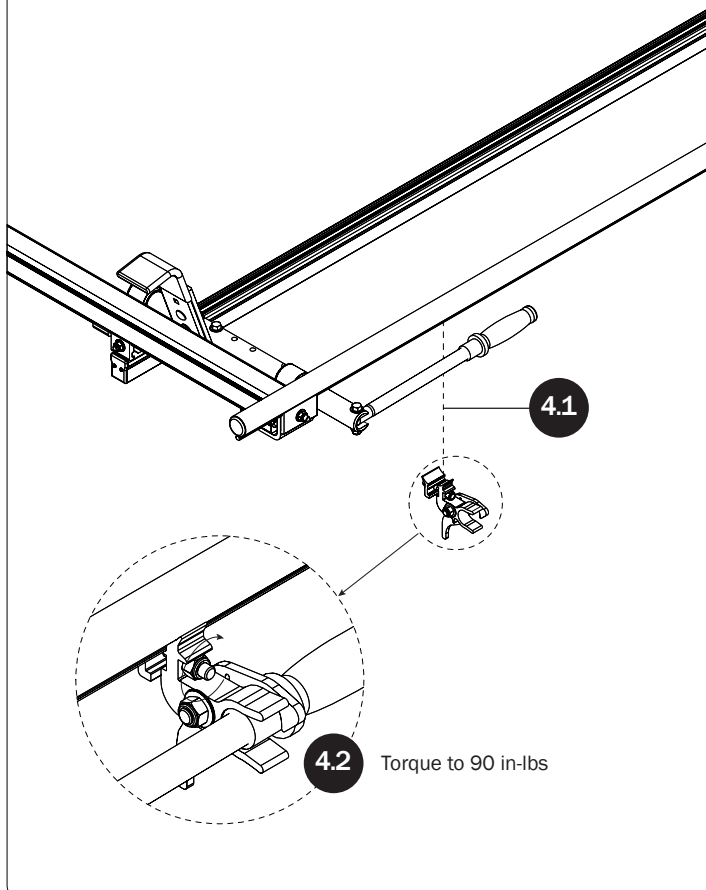
CLAMP DOWN HANDLE



CLAMP DOWN TUBE

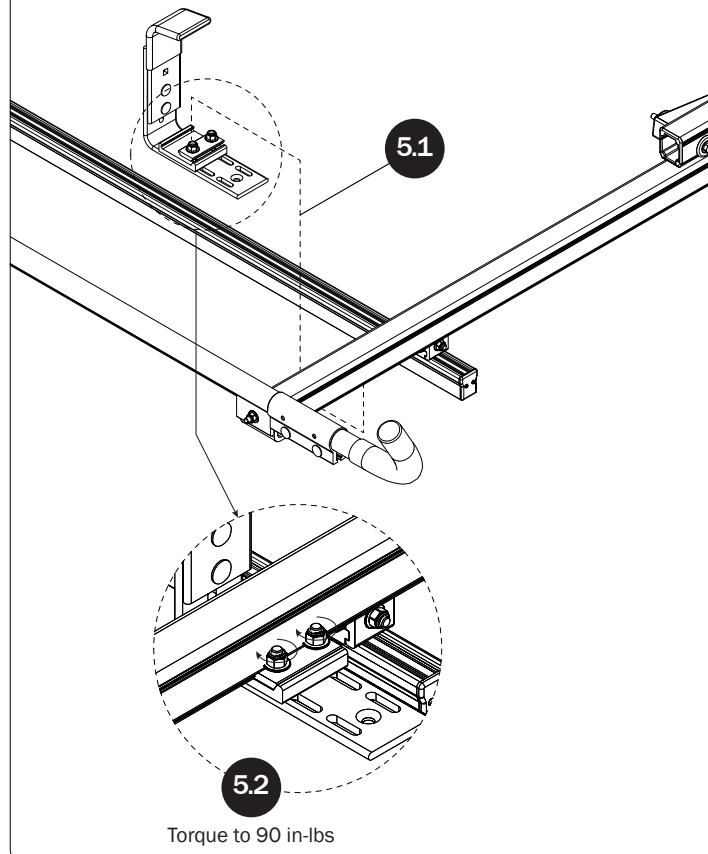


HANDLE LATCH

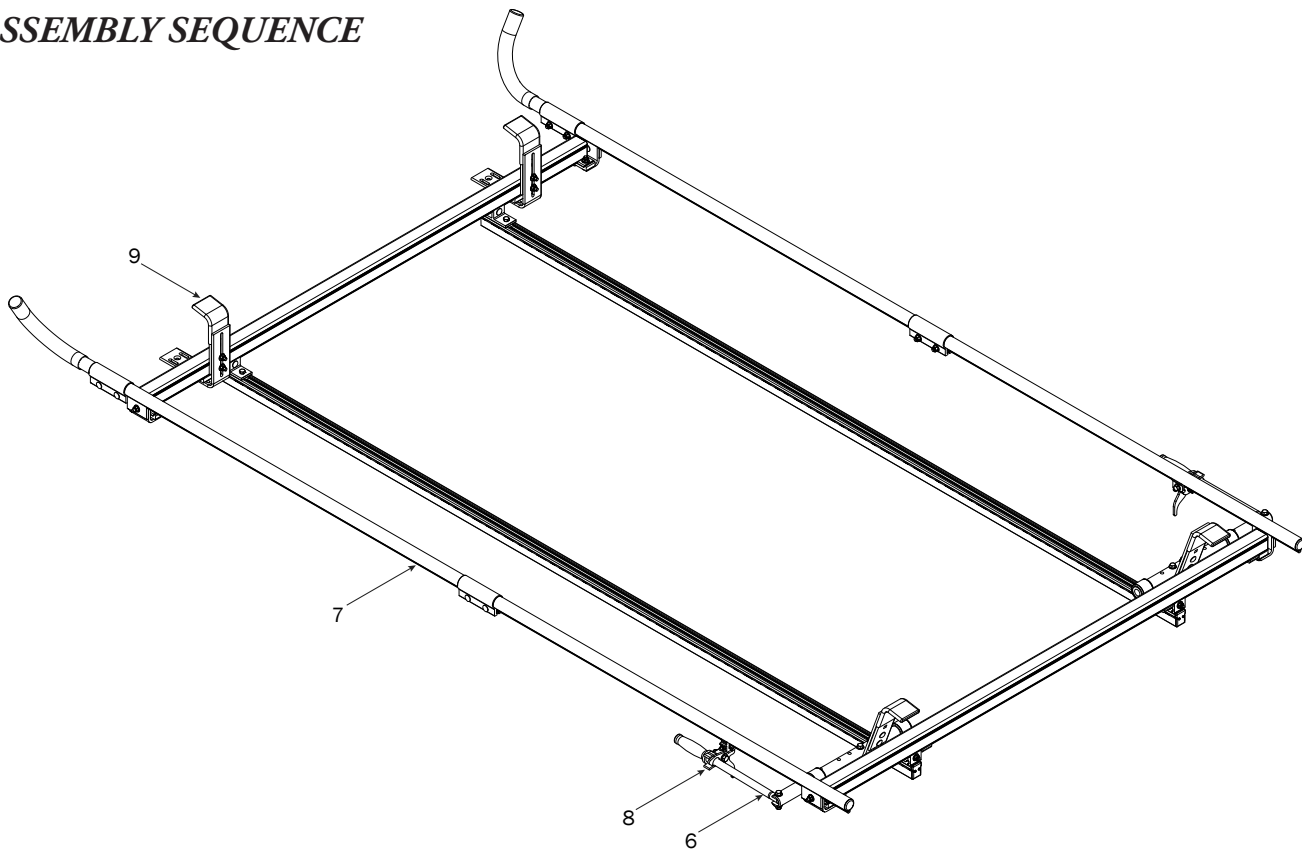


FRONT LADDER HOOK

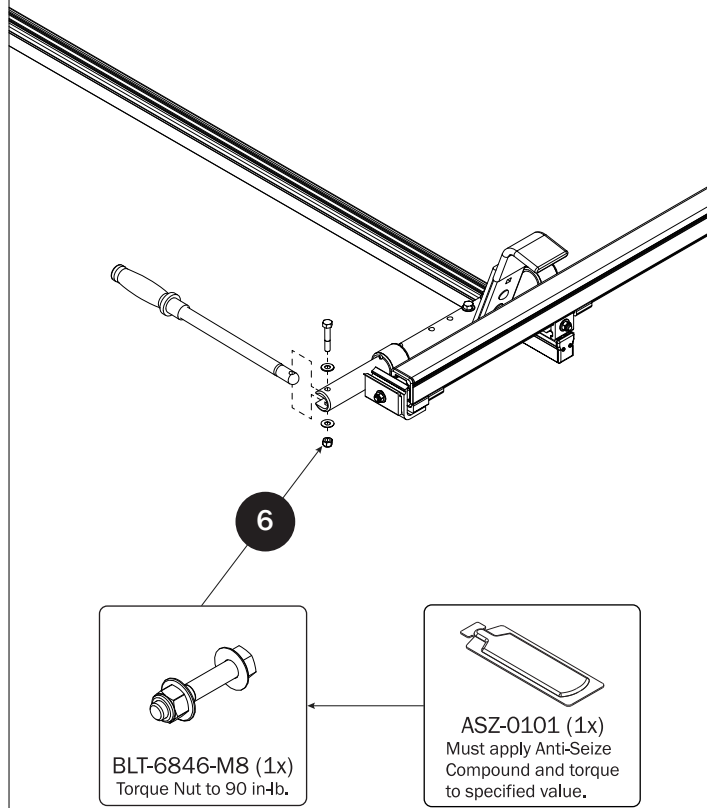
SEE QUICK START GUIDE FOR ADJUSTMENTS



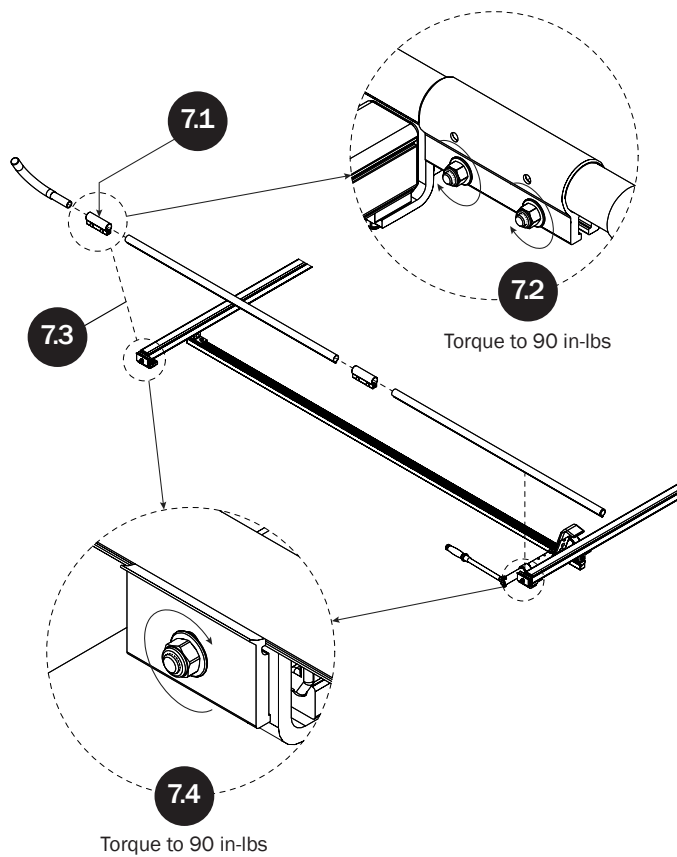
**LEFT CLAMP DOWN
ASSEMBLY SEQUENCE**



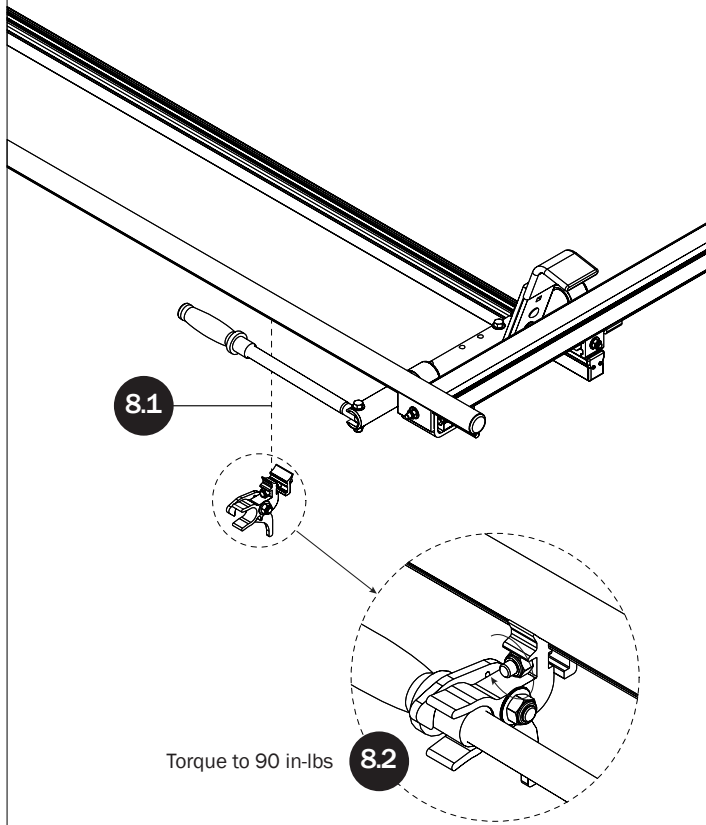
CLAMP DOWN HANDLE



CLAMP DOWN TUBE

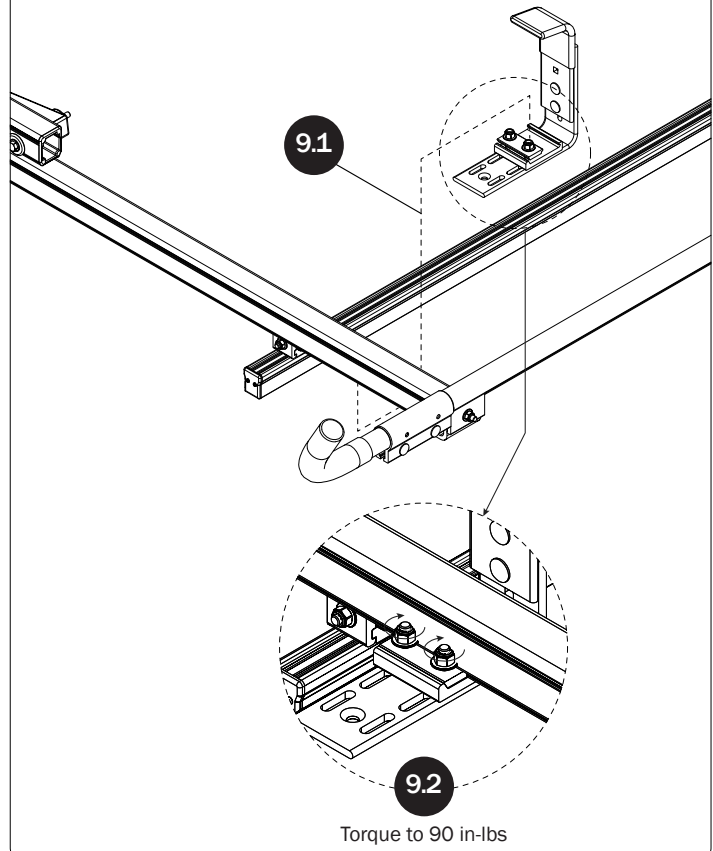


HANDLE LATCH



FRONT LADDER HOOK

SEE QUICK START GUIDE FOR ADJUSTMENTS



Page Intentionally Left Blank

Page Intentionally Left Blank

