

## PBR3-6001

### Pickup Rack, Truck Cap

Dimensional Specifications on Page 2

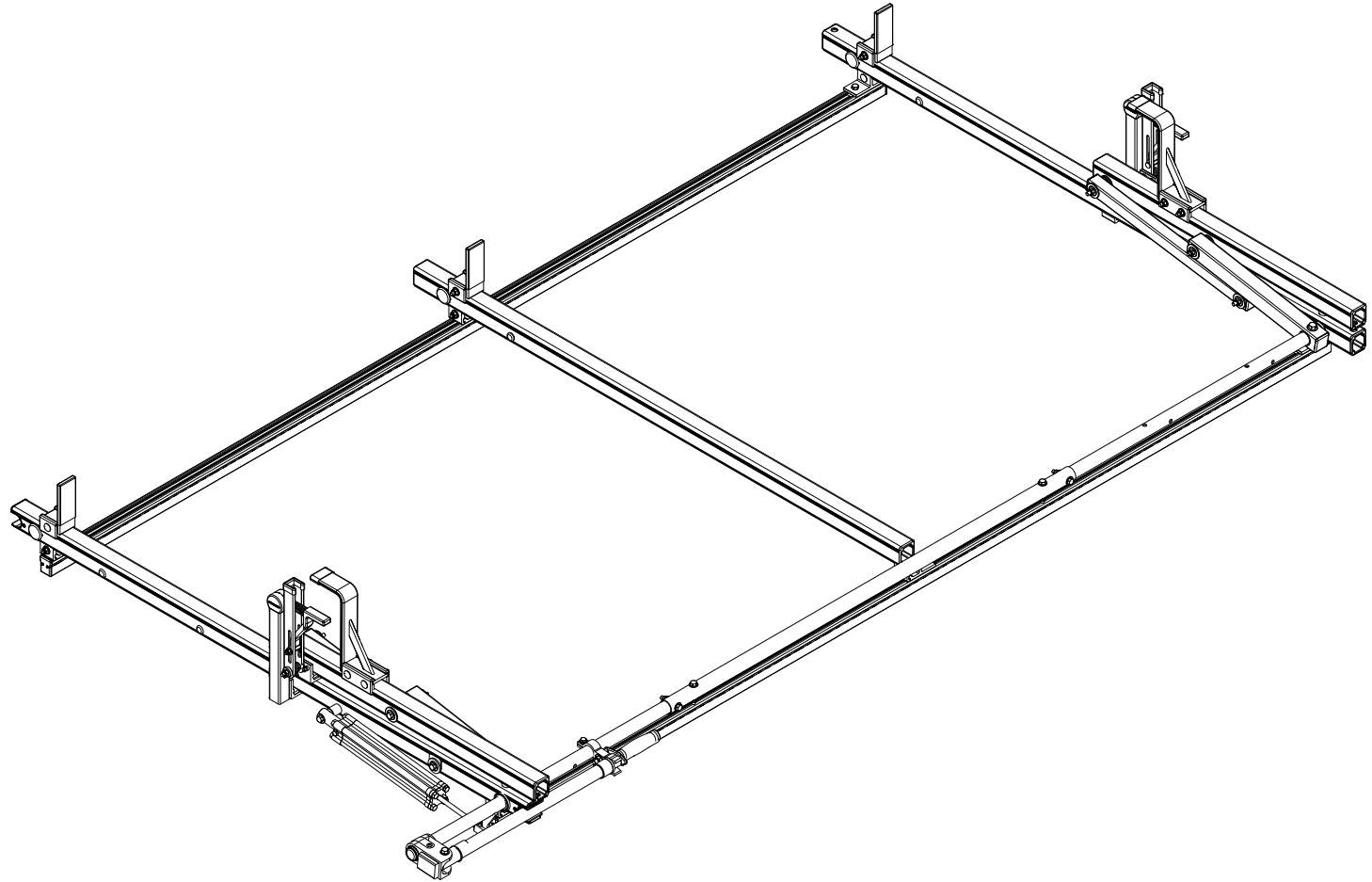
#### Configuration as shown:

Base Left/Rotation Right  
Three Crossbars, US Gen4  
Finish: White Powder Coat  
Rack Weight (empty): 70 lbs

#### Load specifications as shown:

Maximum Ladder Weight LH..... 100 lbs  
Maximum Ladder Length LH..... 32 ft  
Maximum Ladder Section LH ..... 16 ft  
Maximum Ladder Weight RH ..... 75 lbs  
Maximum Ladder Length RH ..... 32 ft  
Maximum Ladder Section RH..... 16 ft

*\*Mounting Hardware ordered separately*



*\*Note: Mounting Hardware purchased separately. For more information, please contact Sales & Support.*

## PBR3-6001

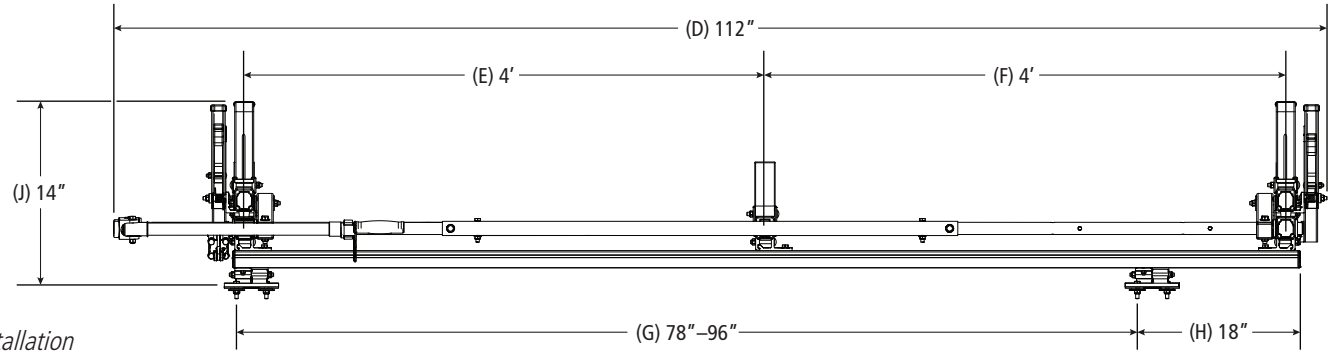
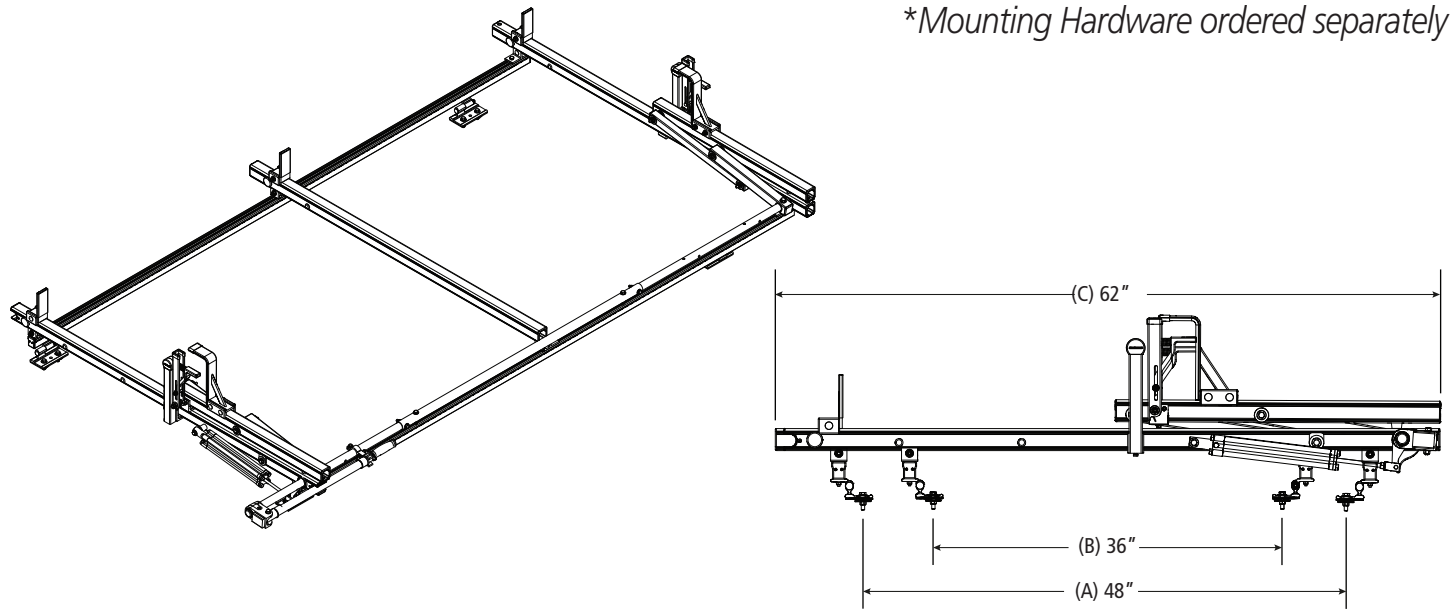
### Pickup Rack, Universal

*Shown with MPK-0007 for illustrative purposes only*

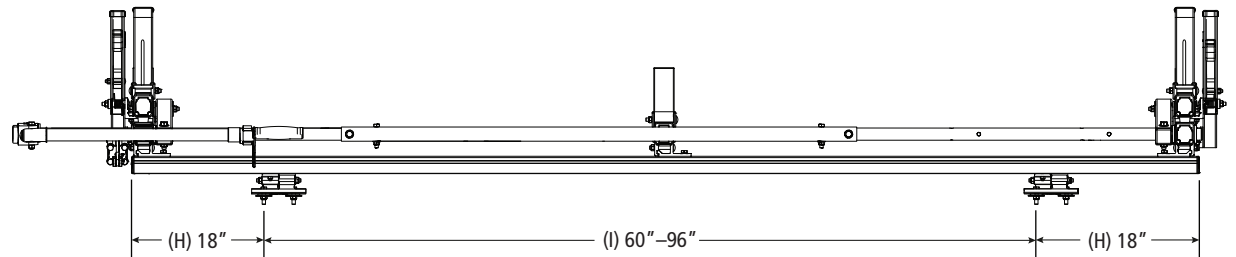
*Approximate dimensions as shown:*

- A: Maximum Mount Spacing L/R..... 48"
- B: Minimum Mount Spacing L/R..... 36"
- C: Rack Width ..... 62"
- D: Rack Length..... 112"
- E: Crossbar Spacing (F) ..... 4'
- F: Crossbar Spacing (R)..... 4'
- G: Mount Spacing F/R (Typ) ..... 78"–96"
- H: Maximum Mount Offset ..... 18"
- I: Mount Spacing F/R (Alt)..... 60"–96"
- J: Rack Height ..... 14"

*\*Mounting Hardware ordered separately*



*Typical Installation*



*Alternate Installation*

*\*Note: Mounting Hardware purchased separately. For more information, please contact Sales & Support.*

*Assembly Manual also available:*

## PBR3-6001

USOV-PBR36001-US01 Rev-A 0118