

PBR-6000

Pickup Rack, Universal

Dimensional Specifications on Page 2

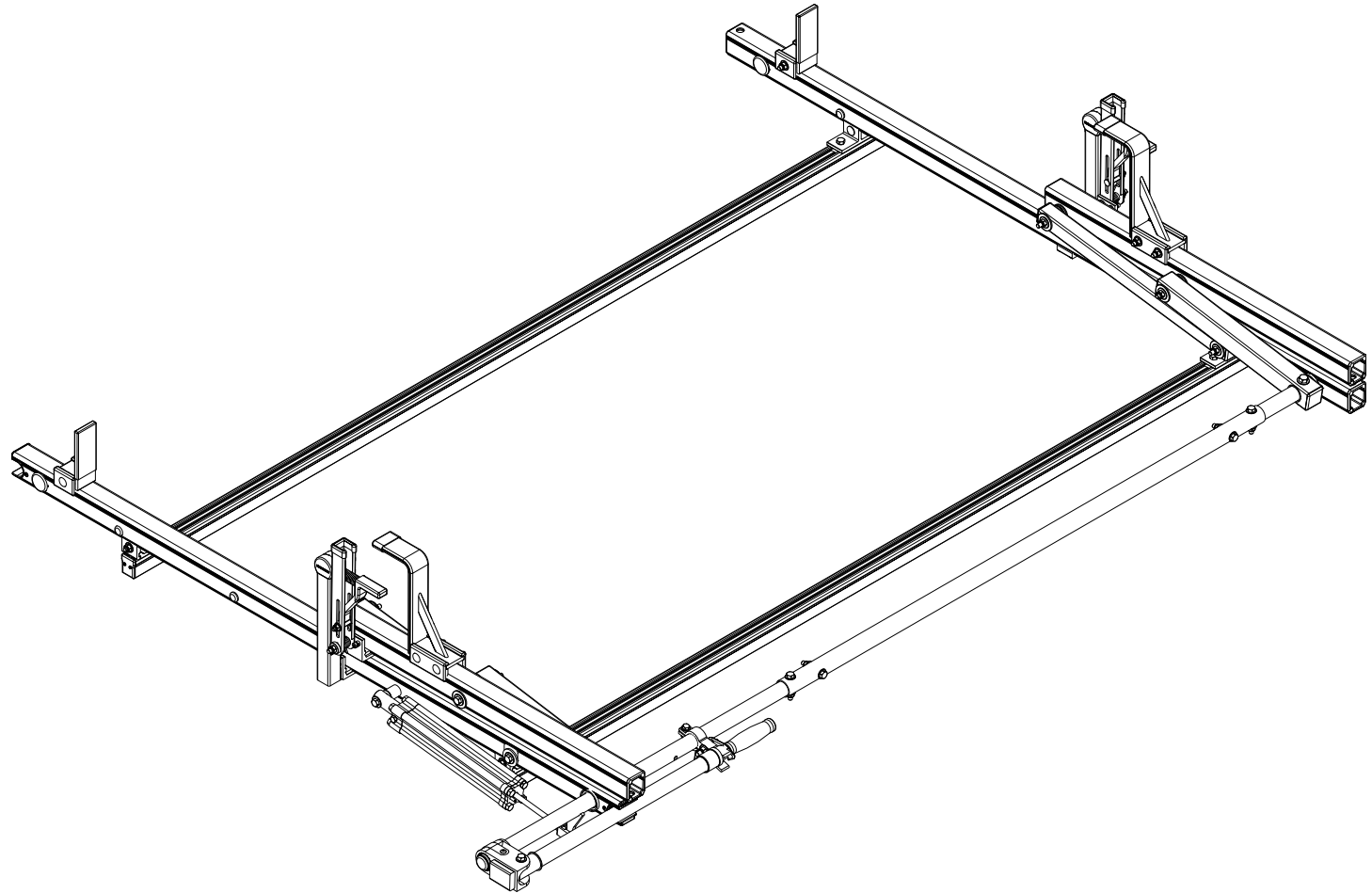
Configuration as shown:

Base Left/Rotation Right
Two Crossbars, US Gen4
Finish: White Powder Coat
Rack Weight (empty): 60 lbs

Load specifications as shown:

Maximum Ladder Weight LH..... 100 lbs
Maximum Ladder Length LH..... 24 ft
Maximum Ladder Section LH 12 ft
Maximum Ladder Weight RH 75 lbs
Maximum Ladder Length RH 24 ft
Maximum Ladder Section RH..... 12 ft

**Mounting Hardware ordered separately*



**Note: Mounting Hardware purchased separately. For more information, please contact Sales & Support.*

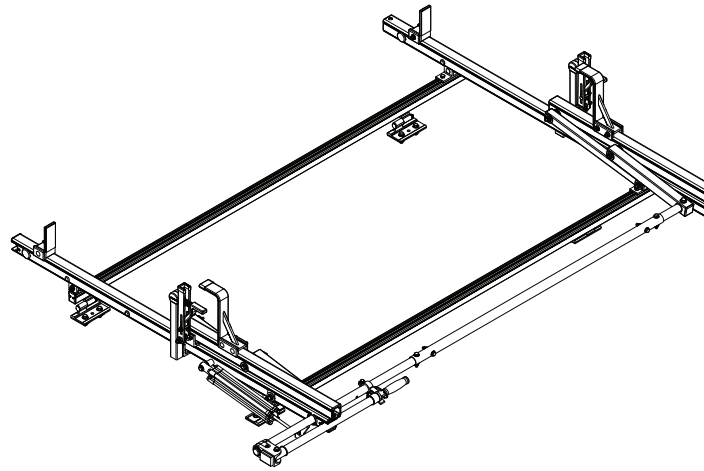
PBR-6000

Pickup Rack, Universal

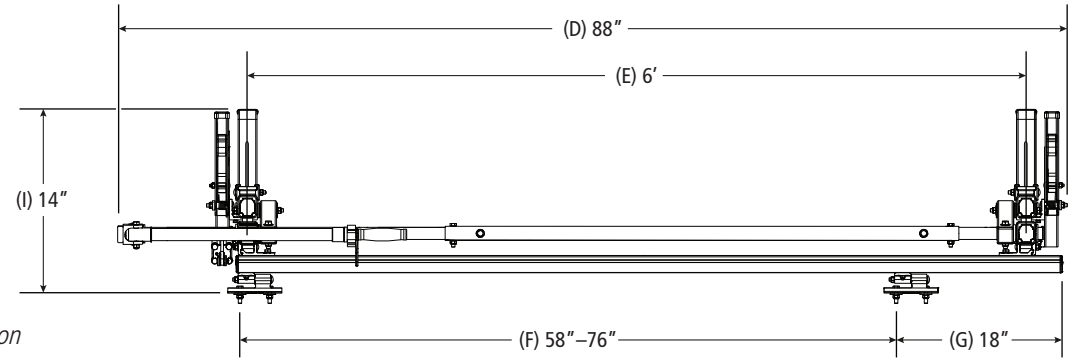
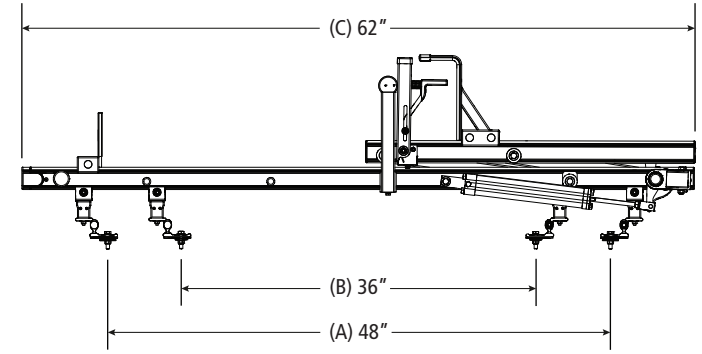
Shown with MPK-0007 for illustrative purposes only

Approximate dimensions as shown:

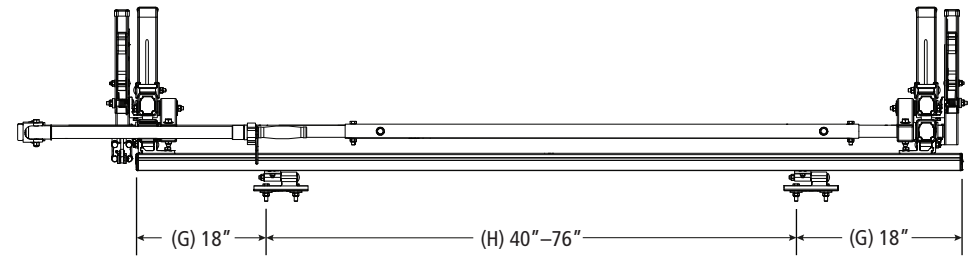
- A: Maximum Mount Spacing L/R..... 48"
- B: Minimum Mount Spacing L/R..... 36"
- C: Rack Width 62"
- D: Rack Length..... 88"
- E: Crossbar Spacing..... 6'
- F: Mount Spacing F/R (Typ) 58"–76"
- G: Maximum Mount Offset 18"
- H: Mount Spacing F/R (Alt) 40"–76"
- I: Rack Height..... 14"



**Mounting Hardware ordered separately*



Typical Installation



Alternate Installation

**Note: Mounting Hardware purchased separately. For more information, please contact Sales & Support.*

Assembly Manual also available:

PBR-6000

USOV-PBR6000-US01 Rev-A 0118