

## MPK-8006

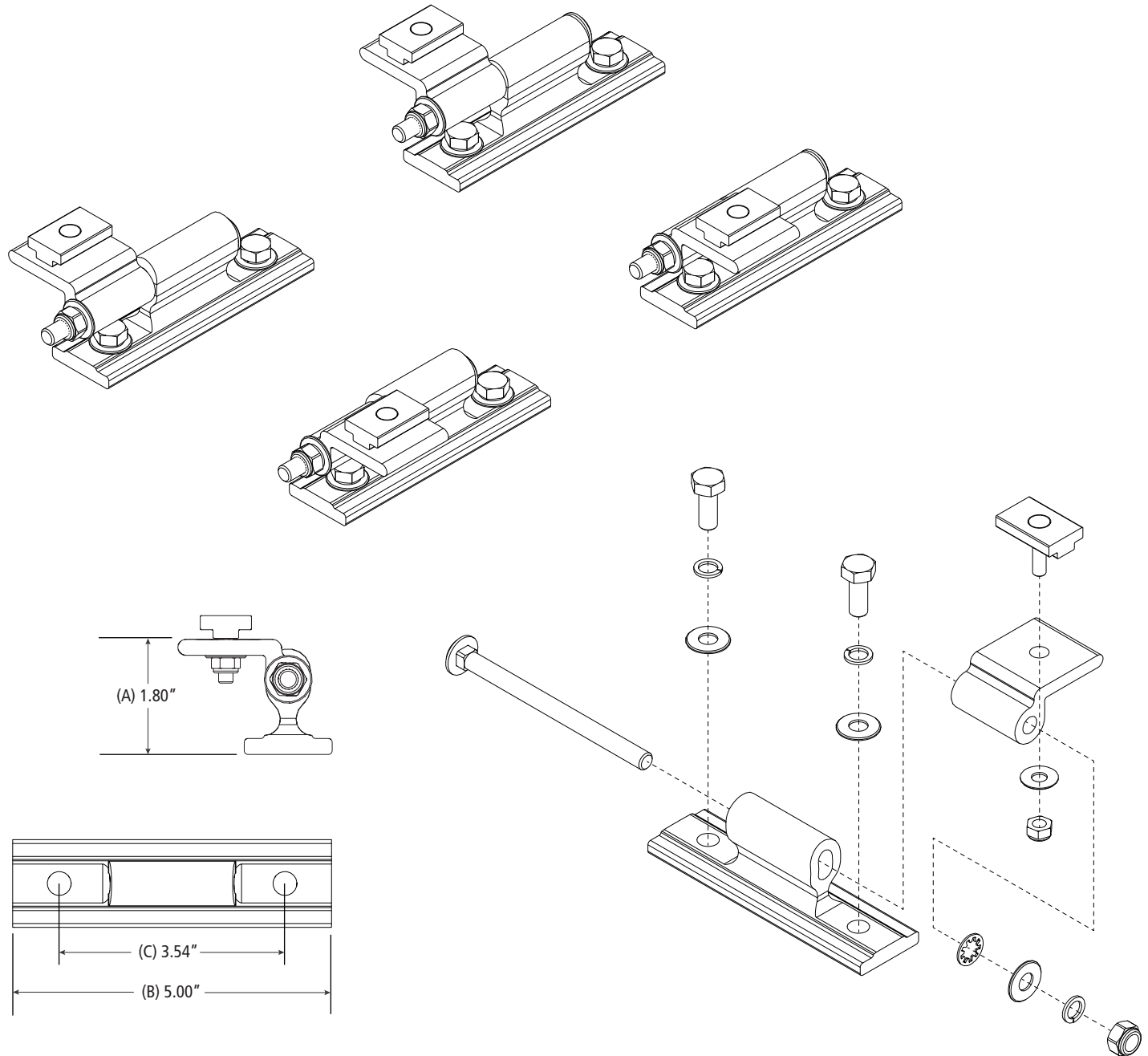
### Channel Mounting Assembly

*Configuration as shown:*

Flex Channel to Stiff Channel  
w/Hardware  
Finish: White Powder Coat  
Weight: 2.60 lbs

*Dimensional specifications as shown:*

- A: Mounting Height..... 1.50"
- B: Mounting Width..... 5"
- C: Bolt Pattern..... 3.54"



Assembly Manual also available:

## MPK-8006