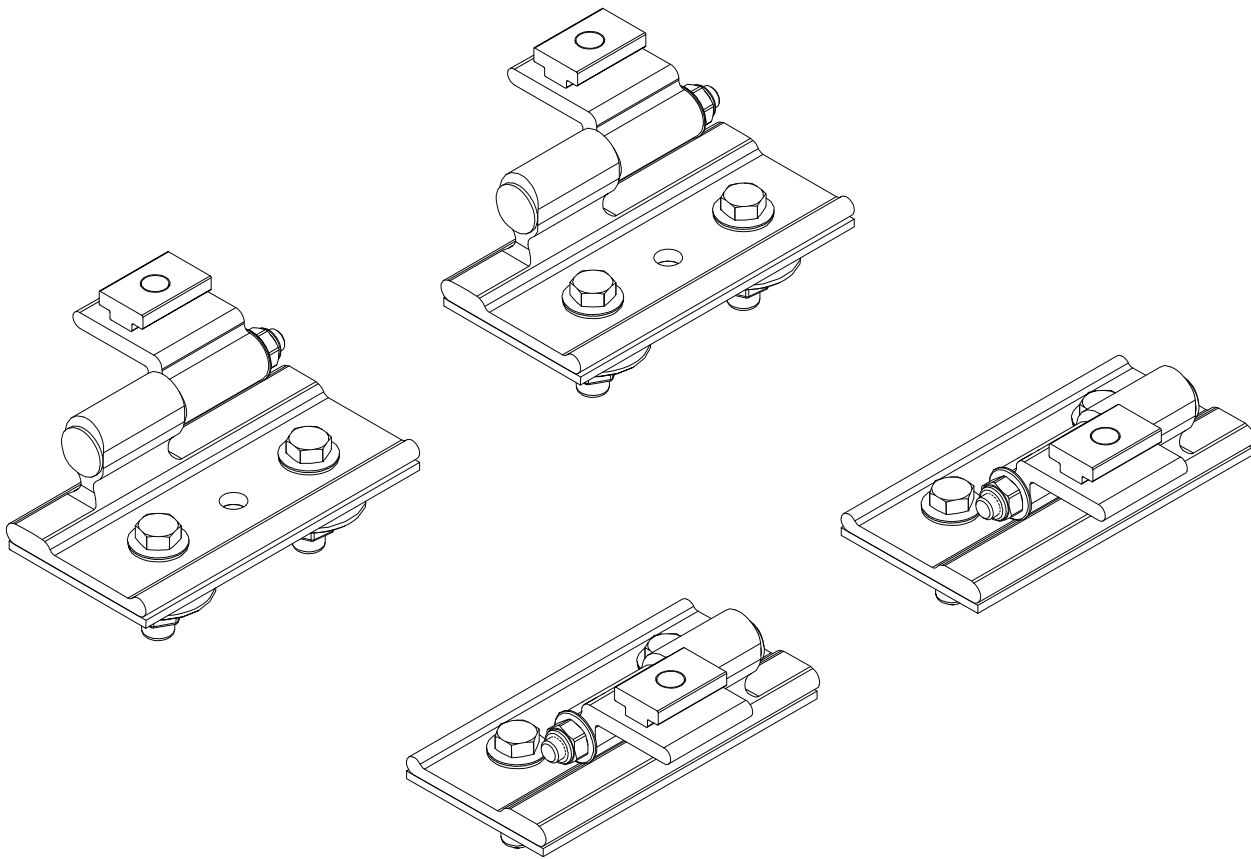


PRIME DESIGN™

A Safe Fleet Brand

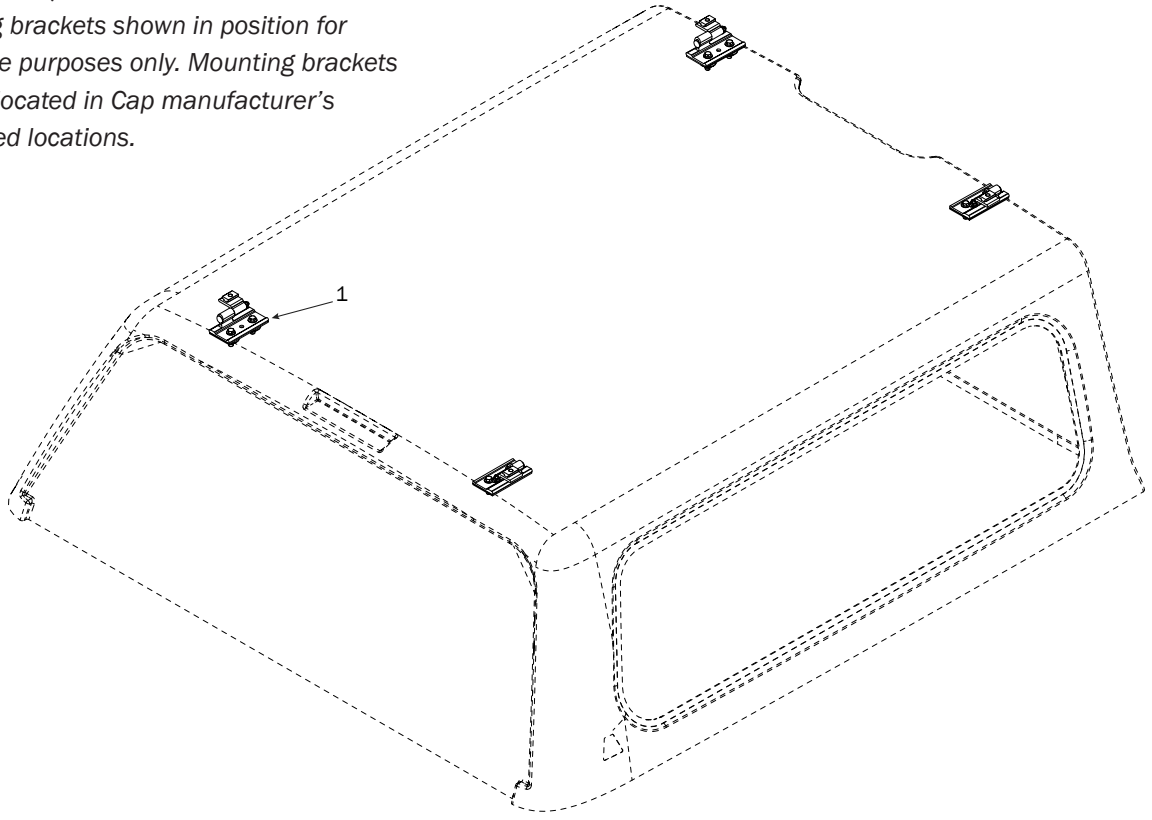


MPK0007

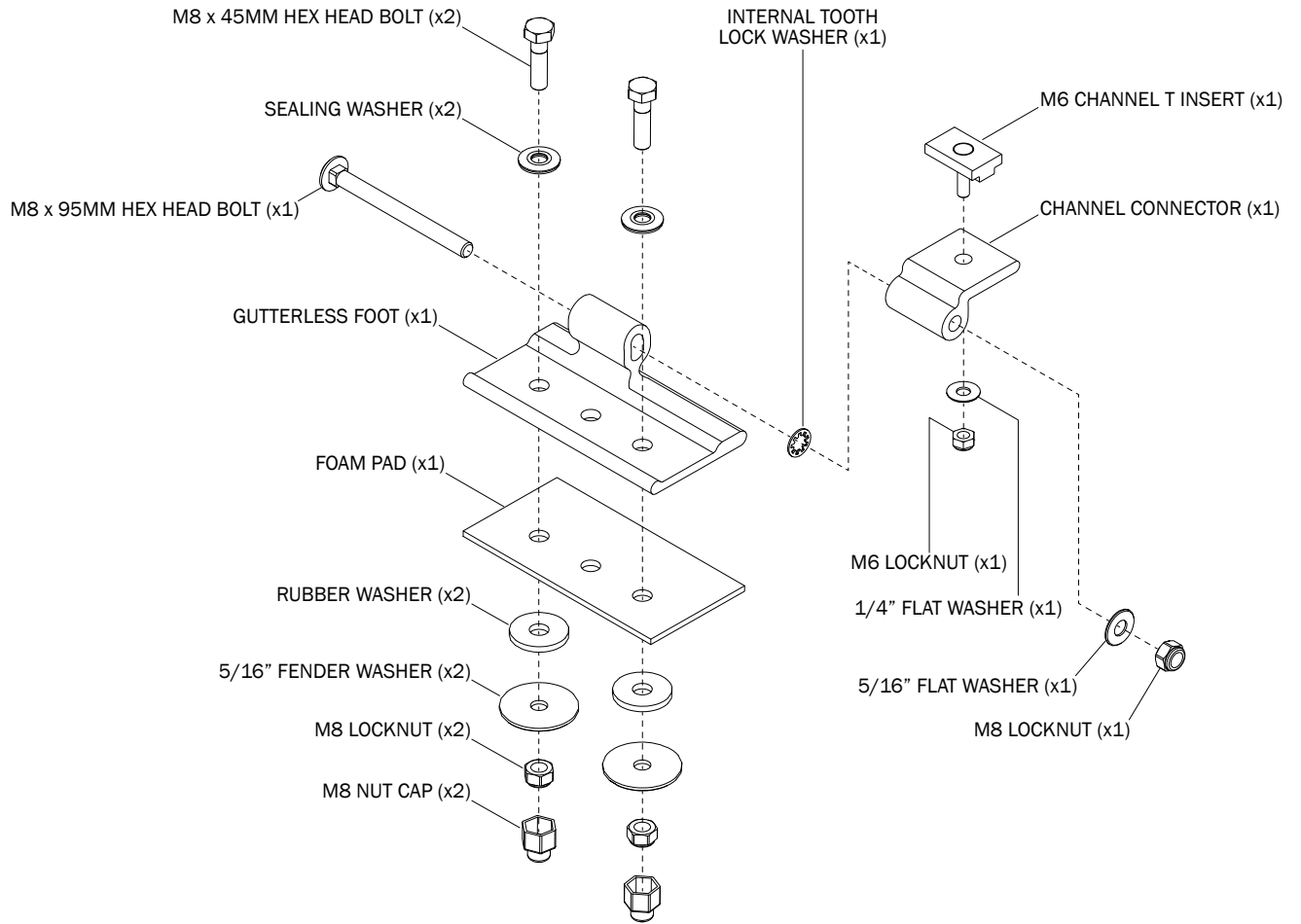
UNIVERSAL FLAT TOP MOUNTING KIT

MPK-0007 OVERVIEW

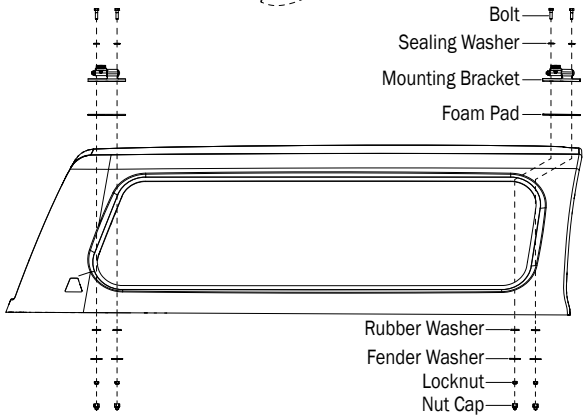
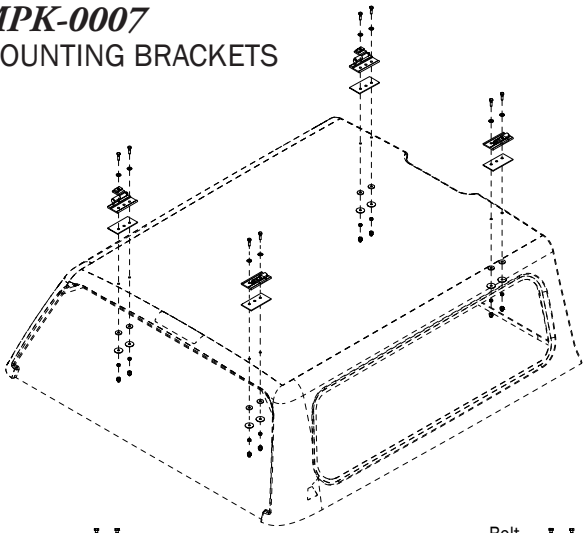
Mounting brackets shown in position for illustrative purposes only. Mounting brackets must be located in Cap manufacturer's designated locations.



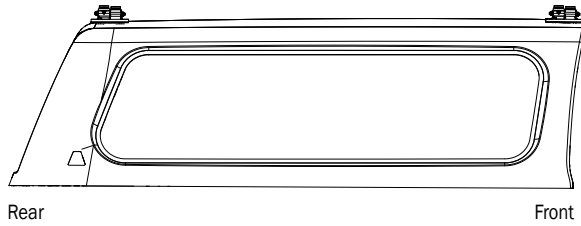
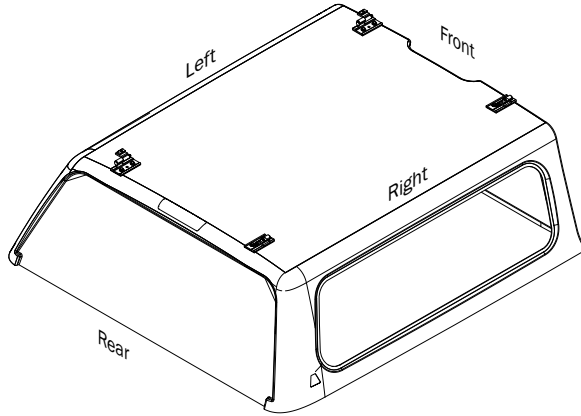
1—Mounting Brackets (Qty 4)



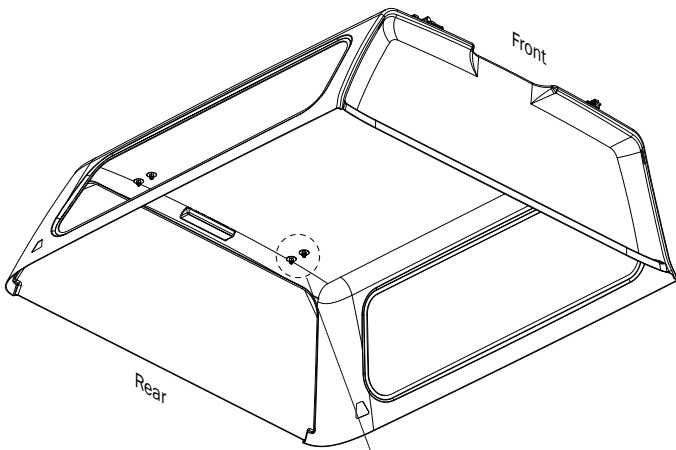
MPK-0007
MOUNTING BRACKETS



1 Set mountings into pre-drilled holes as shown.



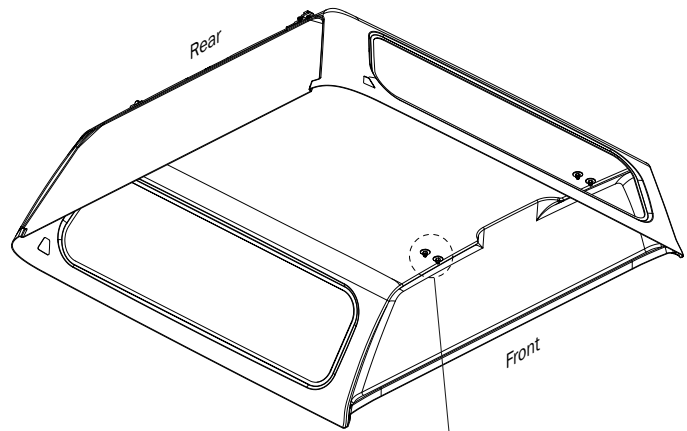
3



ASZ-0101 (1x)
Must apply Anti-Seize
Compound and torque
to specified value.

Torque nuts to 90 in-lbs

2



ASZ-0101 (1x)
Must apply Anti-Seize
Compound and torque
to specified value.

Torque nuts to 90 in-lbs

3

