

## HRR-E-SWM-M

### Utility Side Wall Mount Series

*HRR-E-SWM-90-M configuration shown for illustrative purposes*

#### Module Assemblies:

##### A: Mounting Systems

HRR-E-SWM-110D-72-M.....[FBM-1030-BLK](#)

All other SWM models.....[FBM-1028-BLK](#)

B: Rotation Drive Shaft Assembly (LH) .....[FEA-0020](#)

C: Slide Rotation Assembly (LH) .....[FEA-0004](#)

##### D: Crossbar Assembly Sizes per Rack Configuration:

HRR-E-SWM-110D-72-M:..... [CBR-0007](#)

HRR-E-SWM-78-M: ..... [CBR-0005](#)

HRR-E-SWM-84-M: ..... [CBR-0016](#)

HRR-E-SWM-90-M: ..... [CBR-0018](#)

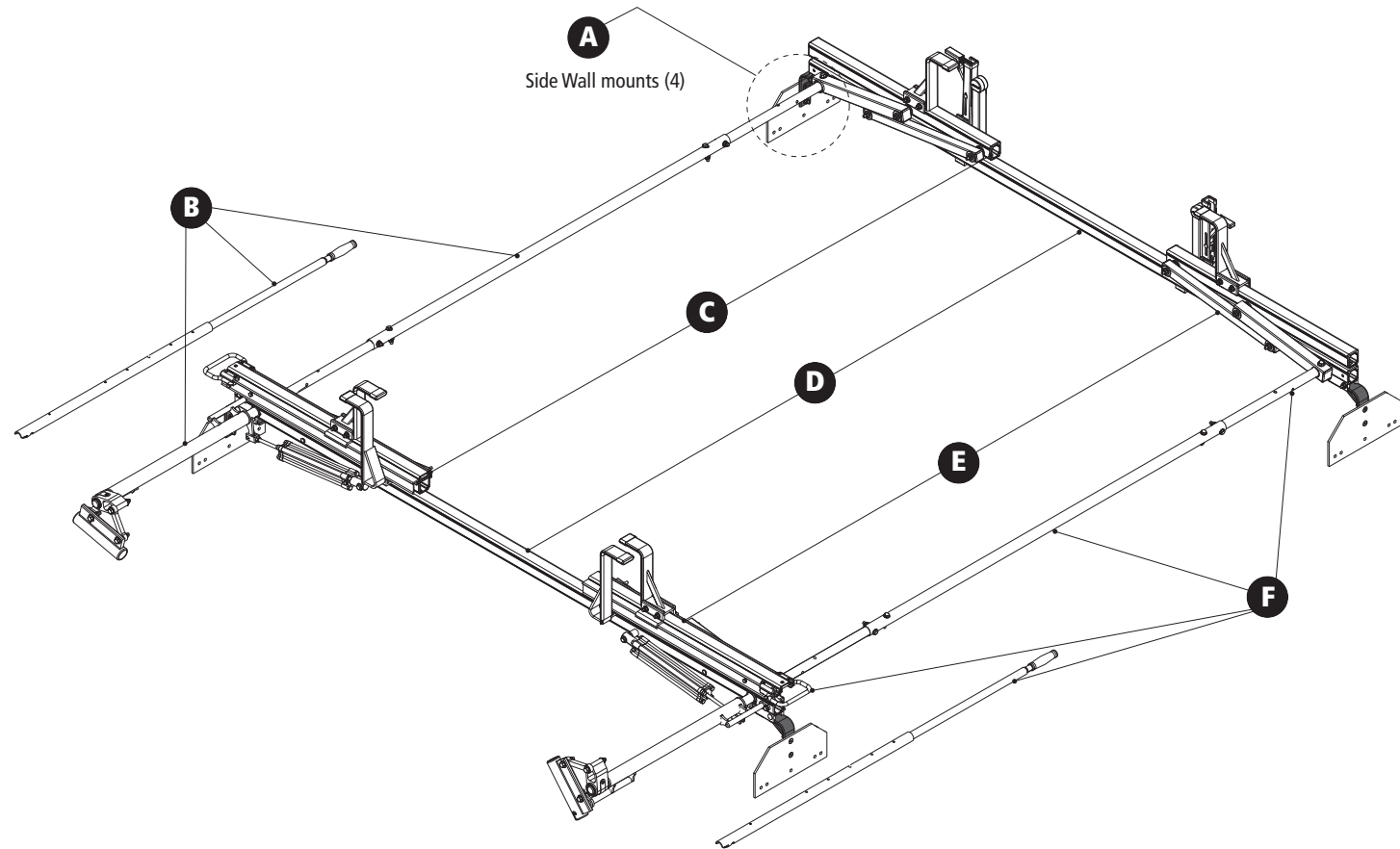
HRR-E-SWM-99-M: ..... [CBR-0020](#)

E: Slide Rotation Assembly (RH) .....[FEA-0003](#)

F: Rotation Drive Shaft Assembly (RH) .....[FEA-0019](#)

[Modular Assembly Manuals](#)

\*Callouts in this Configuration Overview indicate full module assemblies only. For details on individual parts, please refer to the linked Module Overviews.



## HRR-E-SWM-M

### Utility Side Wall Mount Series

*HRR-E-SWM-90-M configuration shown for illustrative purposes*

#### Approximate dimensions as shown:

A: Total Rack Widths per Configuration:

HRR-E-SWM-110D-72-M:.....	78"
HRR-E-SWM-78-M: .....	84"
HRR-E-SWM-84-M: .....	90"
HRR-E-SWM-90-M:.....	96"
HRR-E-SWM-99-M: .....	102"

B: Rack Height ..... 20.50"

C: Crossbar Spacing ..... 6'–8'

D: Rack Length..... 110"–134"

#### Compatible Accessories Available

(Sold Separately)

Conduit Carriers.....	<a href="#">CON Series</a>
WorkPro LED Lighting.....	<a href="#">LED Series</a>
Systems and Safety Components .....	<a href="#">RVS Series</a>
Safety monitoring.....	<a href="#">DS2 Series</a>

