

## HRR-E-NV-HM

### ErgoRack, Nissan NV

Two Crossbars, Powder Coat Finish  
Rack Weight (empty): 116 lbs

\*Callouts in this Configuration Overview indicate full module assemblies only.

For details on individual parts, please refer to the linked Module Overviews below.

- A: ..... [FBM-1010-BLK Mounting System](#)
- B: ..... [CBA-3008 Hybrid Crossbar Assembly](#)
- C: ..... [FEA-0019 Rotation Driveshaft Assembly](#)
- D: ..... [FEA-0020 Rotation Driveshaft Assembly](#)

[Modular Assembly Manuals](#)

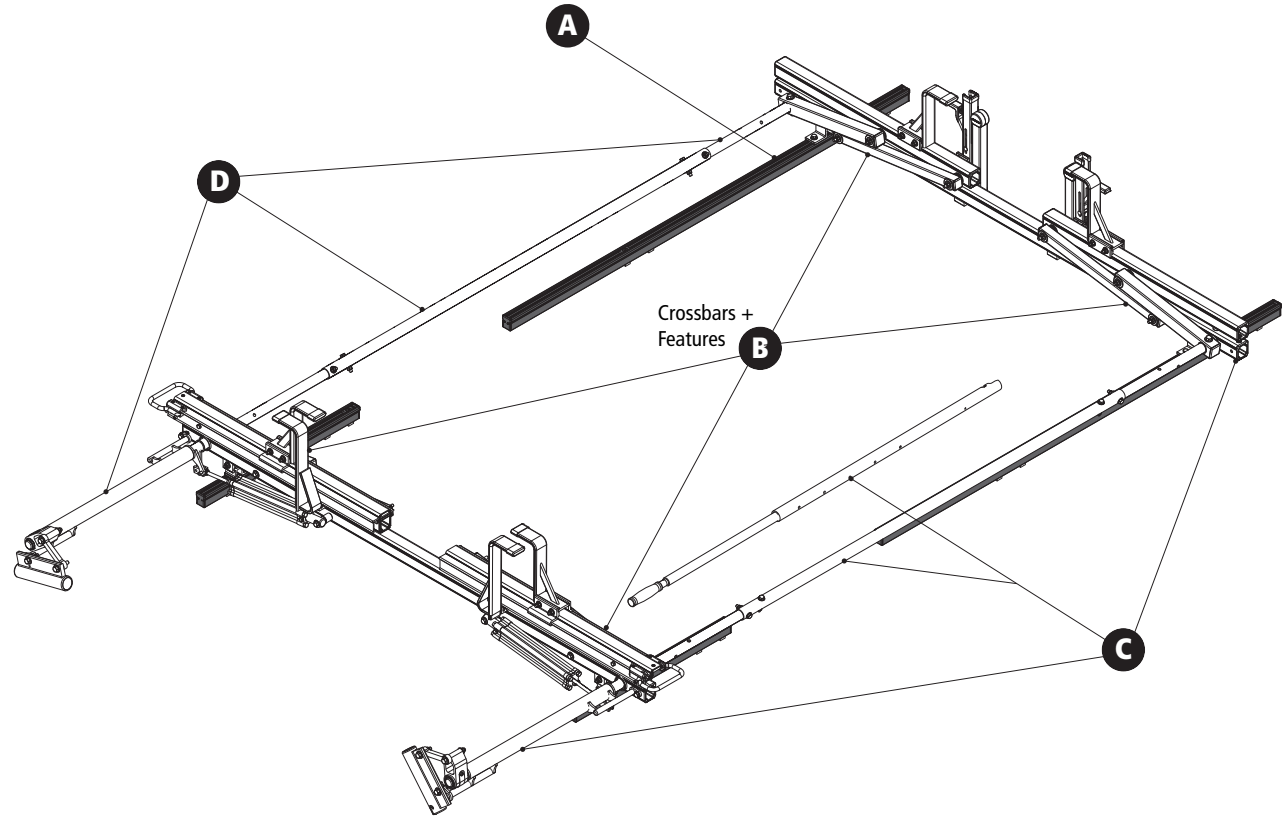
### ErgoRack Van—Load specifications:

Check vehicle manufacturer recommendations for roof capacity weight limits.

CROSSBAR SPACING	STEP LADDER	EXT. LADDER
4 ft Spacing	6 – 8 ft.	16 – 20 ft.
5 ft Spacing	8 – 10 ft.	16 – 24 ft.
6 ft Spacing	8 – 12 ft. <sup>†</sup>	16 – 28 ft.
7 ft Spacing	10 – 12 ft. <sup>†</sup>	20 – 32 ft.
8 ft Spacing	10 – 12 ft. <sup>†</sup>	20 – 36 ft.

<sup>†</sup>Rotation Configurations: 12 ft. step ladders require an extended upper add-on component.

\*Example shown with H1 (84" Roof Height) Configuration



## HRR-E-NV-HM

### ErgoRack, Nissan NV

Approximate dimensions as shown:

#### All Heights

- A: Rack Width ..... 79"
- B: Rack Height ..... 16.50"
- C: Rear Crossbar Offset (L&R) ..... Even
- D: Mount Spacing L/R ..... Set at install

#### H1 (84")

- E: Total Crossbar Spacing ..... 6'–8'
- F: Rack Length ..... 108"–132"

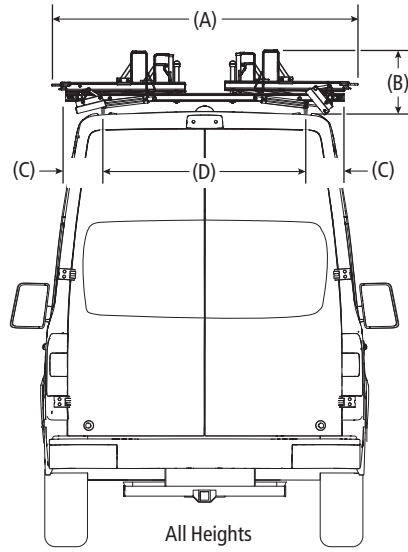
#### H2 (105")

- G: Total Crossbar Spacing ..... 6'–7'
- H: Rack Length ..... 105–117"

#### Compatible Accessories Available

(Sold Separately)

- Rear Access Ladder.....[AAL Series](#)
- 8'–12' Conduit Carriers.....[CON Series](#)
- WorkPro LED Lighting.....[LED Series](#)
- Systems and Safety Components .....[RVS Series](#)
- Safety monitoring.....[DS2 Series](#)



Rear Drive Shaft Offset: 29"

Note: The end of the driveshaft must not extend beyond the vehicle bumper

