

HRR-E-FT-M

ErgoRack, Ford Transit Mid/High Roof

Two Crossbars, Powder Coat Finish
Rack Weight (empty): 132 lbs

*Callouts in this Configuration Overview indicate full module assemblies only.

For details on individual parts, please refer to the linked Module Overviews below.

- A: [FEA-0020 Rotation Driveshaft Assembly](#)
- B: [FBM-1017-BLK Mounting System](#)
- C: [FEA-0004 Slide Rotation Assembly](#)
- D: [CBR-0007 Crossbar Assembly](#)
- E: [FEA-0003 Slide Rotation Assembly](#)
- F: [FEA-0019 Rotation Driveshaft Assembly](#)

[Modular Assembly Manuals](#)

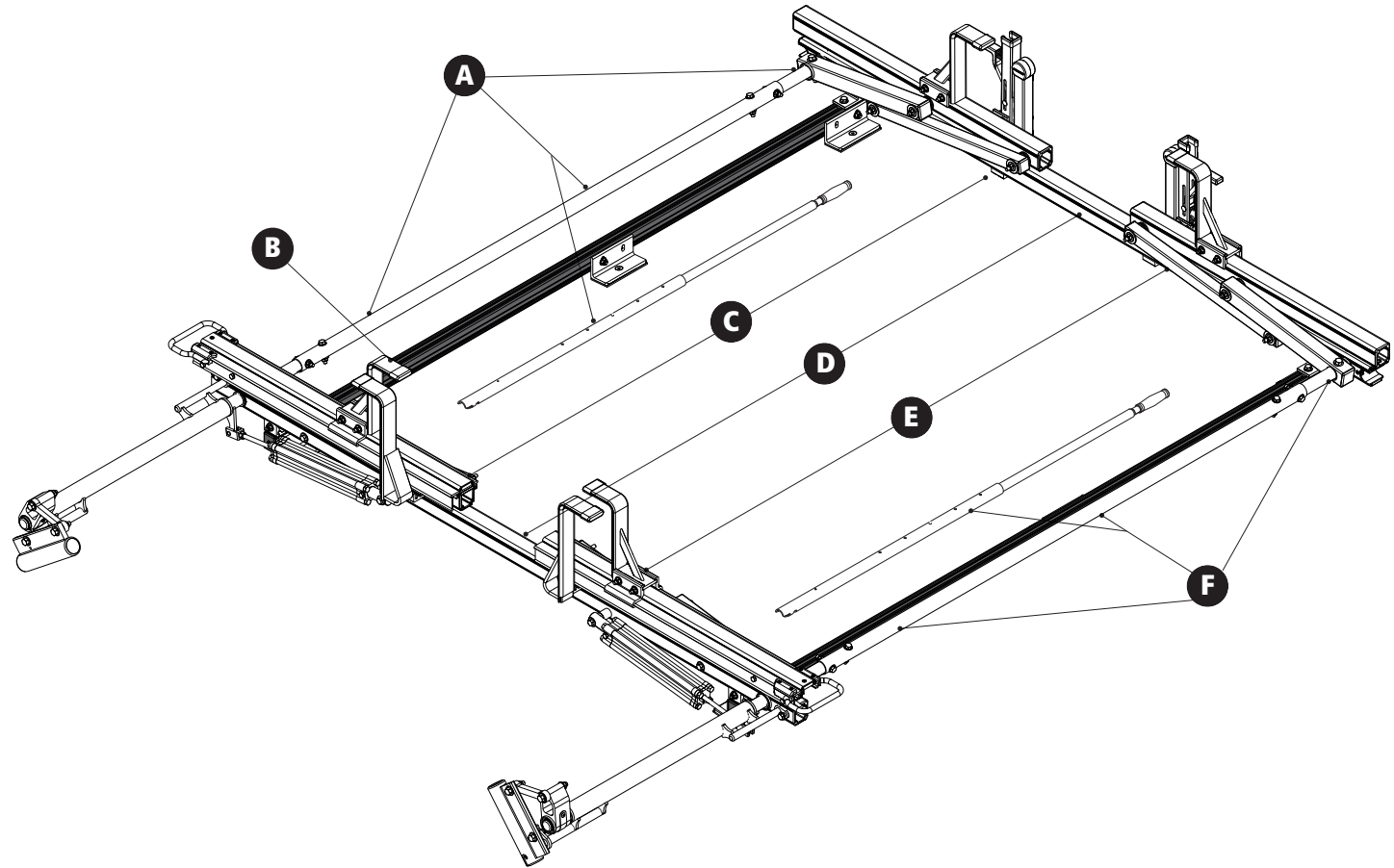
ErgoRack Van—Load specifications:

Check vehicle manufacturer recommendations for roof capacity weight limits.

CROSSBAR SPACING	STEP LADDER	EXT. LADDER
4 ft Spacing	6 – 8 ft.	16 – 20 ft.
5 ft Spacing	8 – 10 ft.	16 – 24 ft.
6 ft Spacing	8 – 12 ft. [†]	16 – 28 ft.
7 ft Spacing	10 – 12 ft. [†]	20 – 32 ft.
8 ft Spacing	10 – 12 ft. [†]	20 – 36 ft.

[†]Rotation Configurations: 12 ft. step ladders require an extended upper add-on component.

*Example shown with 130" Wheelbase Configuration



HRR-E-FT-M

ErgoRack, Ford Transit Mid Roof

Approximate dimensions as shown:

All Wheelbases

A: Rack Width	79"
B: Rack Height	16.50"
C: Rear Crossbar Offset (Left).....	8"
D: Mount Bolt Spacing L/R.....	54"

130" Wheelbase

E: Total Crossbar Spacing.....	6'
F: Rack Length	105"

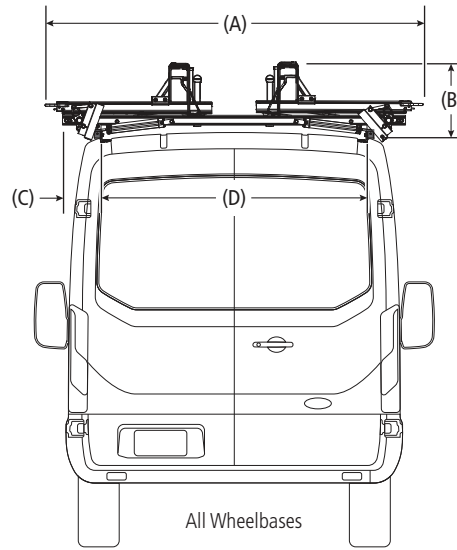
148" Wheelbase

G: Total Crossbar Spacing.....	6'–8'
H: Rack Length.....	129"

Compatible Accessories Available

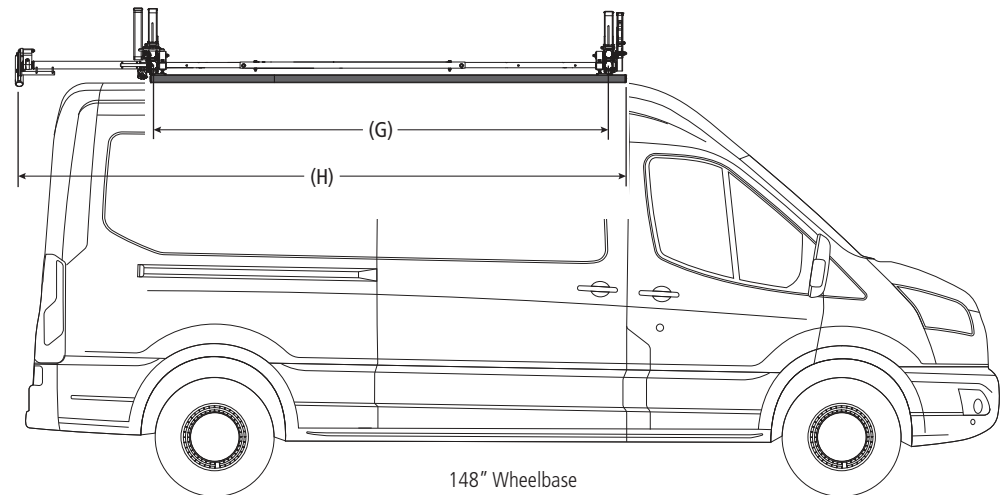
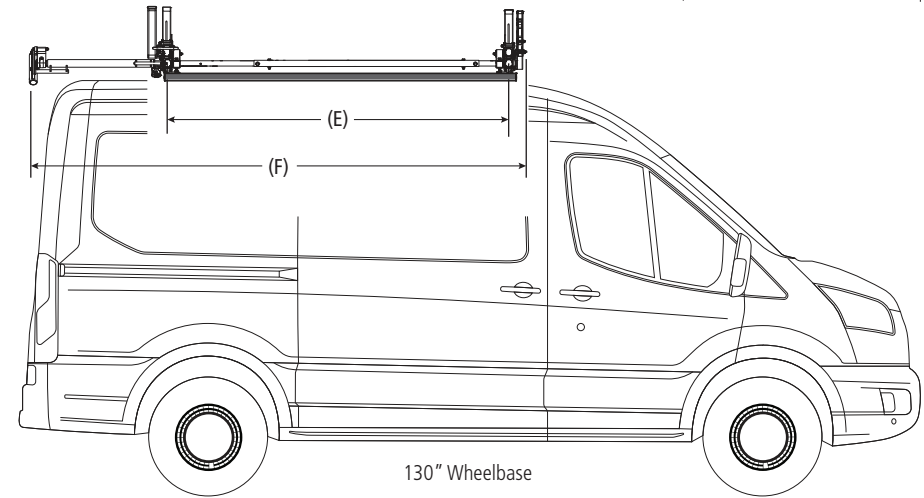
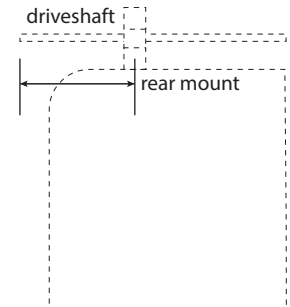
(Sold Separately)

Rear Access Ladder.....	AAL Series
8'–12' Conduit Carriers.....	CON Series
WorkPro LED Lighting.....	LED Series
Systems and Safety Components	RVS Series
Safety monitoring.....	DS2 Series



Rear Drive Shaft Offset: 29"

Note: The end of the driveshaft must not extend beyond the vehicle bumper



PRIME DESIGN™

A Safe Fleet Brand

HRR-E-FT-M

ErgoRack, Ford Transit High Roof

Approximate dimensions as shown:

All Wheelbases

- A: Rack Width 79"
- B: Rack Height 16.50"
- C: Rear Crossbar Offset (Left)..... 8"
- D: Mount Bolt Spacing L/R..... 54"

130" Wheelbase

- E: Total Crossbar Spacing..... 6'
- F: Rack Length 105"

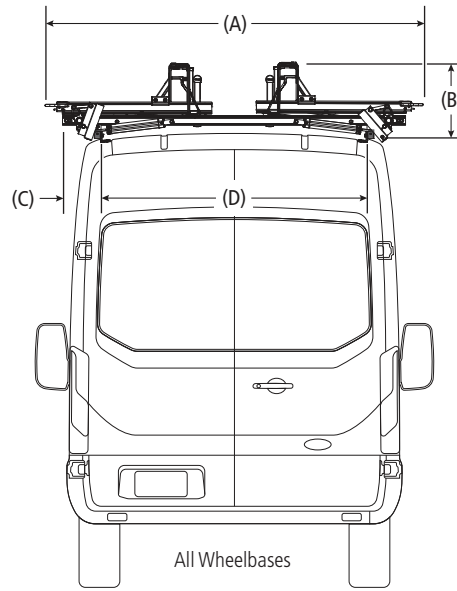
148" Wheelbase

- G: Total Crossbar Spacing 6'–8'
- H: Rack Length..... 129"

Compatible Accessories Available

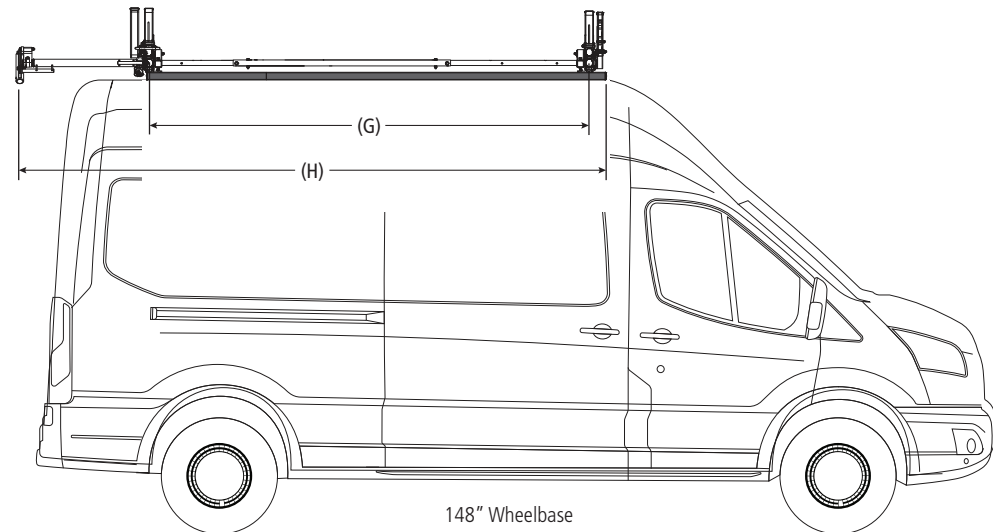
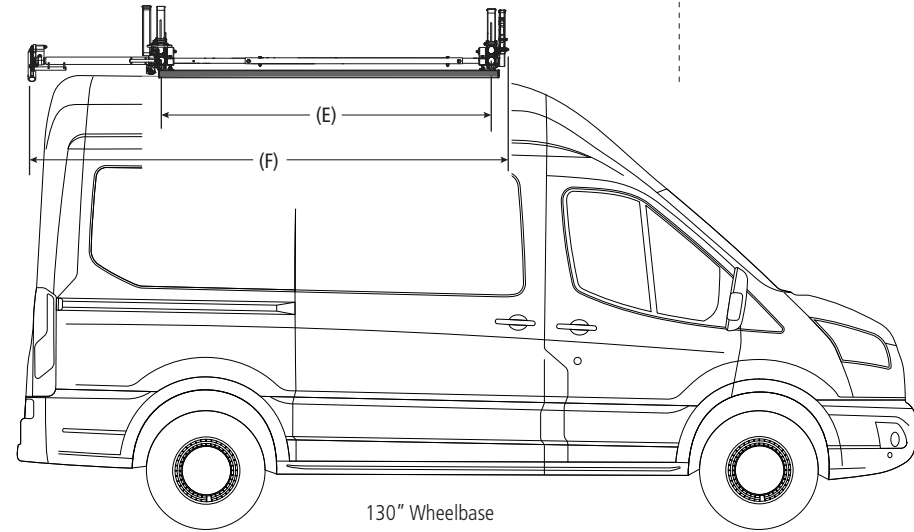
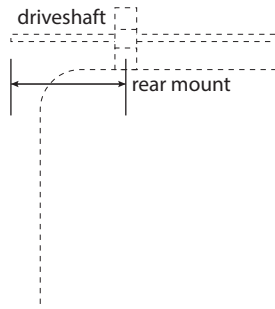
(Sold Separately)

- Rear Access Ladder.....[AAL Series](#)
- 8'–12' Conduit Carriers.....[CON Series](#)
- WorkPro LED Lighting.....[LED Series](#)
- Systems and Safety Components[RVS Series](#)
- Safety monitoring.....[DS2 Series](#)



Rear Drive Shaft Offset: 29"

Note: The end of the driveshaft must not extend beyond the vehicle bumper



HRR-E-FT-M

ErgoRack, Ford Transit High Roof

Approximate dimensions as shown:

All Wheelbases

- A: Rack Width 79"
- B: Rack Height 16.50"
- C: Rear Crossbar Offset (Left)..... 8"
- D: Mount Bolt Spacing L/R..... 54"

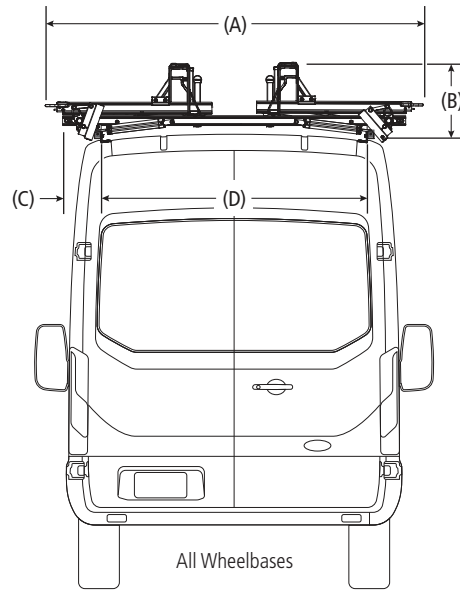
148" Extended Wheelbase

- E: Total Crossbar Spacing..... 8'
- F: Rack Length 144"

Compatible Accessories Available

(Sold Separately)

- Rear Access Ladder..... [AAL Series](#)
- 8'–12' Conduit Carriers..... [CON Series](#)
- WorkPro LED Lighting..... [LED Series](#)
- Systems and Safety Components [RVS Series](#)
- Safety monitoring..... [DS2 Series](#)



Rear Drive Shaft Offset: 29"

Note: The end of the driveshaft must not extend beyond the vehicle bumper

