

## HBR-E-SWM-M

### Utility Side Wall Mount Series

*HBR-E-SWM-90-M configuration shown for illustrative purposes*

#### Module Assemblies:

A: End Stop Assembly.....[FEA-0001](#)

B: Mounting Systems

HRR3-E-SWM-110D-72-M.....[FBM-1030-BLK](#)

All other SWM models.....[FBM-1028-BLK](#)

C: Crossbar Assembly Sizes per Rack Configuration:

HRR3-E-SWM-110D-72-M:..... [CBR-0007](#)

HRR3-E-SWM-78-M:..... [CBR-0005](#)

HRR3-E-SWM-84-M:..... [CBR-0016](#)

HRR3-E-SWM-90-M:..... [CBR-0018](#)

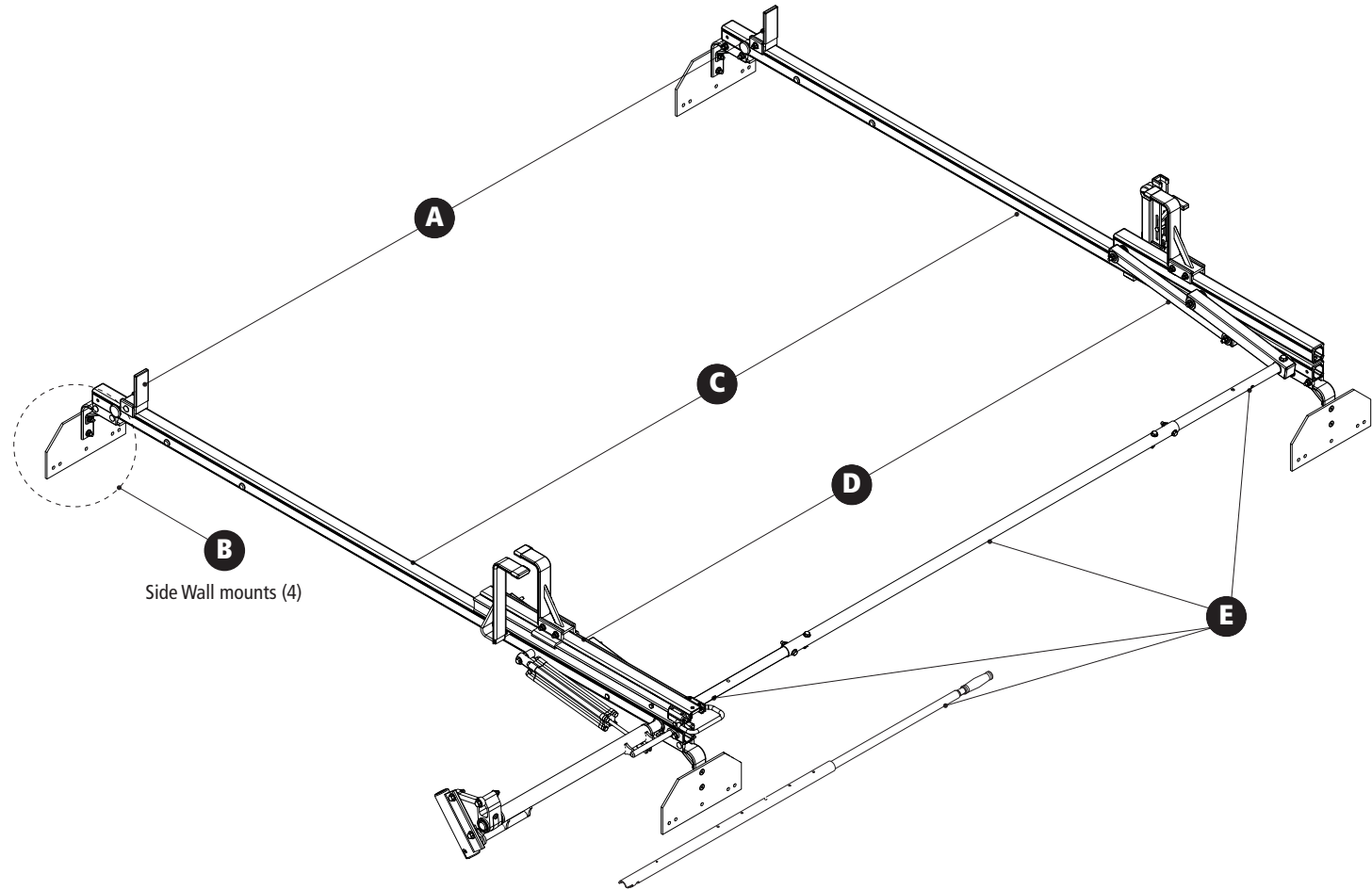
HRR3-E-SWM-99-M:..... [CBR-0020](#)

D: Slide Rotation Assembly (RH).....[FEA-0003](#)

E: Rotation Drive Shaft Assembly (RH).....[FEA-0019](#)

#### [Modular Assembly Manuals](#)

\*Callouts in this Configuration Overview indicate full module assemblies only. For details on individual parts, please refer to the linked Module Overviews.



## HBR-E-SWM-M

### Utility Side Wall Mount Series

*HBR-E-SWM-90-M configuration shown for illustrative purposes*

#### Approximate dimensions as shown:

A: Total Rack Widths per Configuration:

- HBR-E-SWM-110D-72-M:..... 75"–77"
- HBR-E-SWM-78-M: ..... 81"–83"
- HBR-E-SWM-84-M: ..... 87"–89"
- HBR-E-SWM-90-M: ..... 93"–95"
- HBR-E-SWM-99-M: ..... 99"–101"

B: Rack Height ..... 20.50"

C: Crossbar Spacing ..... 6'–8'

D: Rack Length..... 110"–134"

#### Compatible Accessories Available

(Sold Separately)

- Retractable Ratchet Tie-Down.....[ACC-8000](#)
- Conduit Carriers.....[CON Series](#)
- WorkPro LED Lighting.....[LED Series](#)
- Systems and Safety Components .....[RVS Series](#)
- Safety monitoring.....[DS2 Series](#)

