

## HBR-E-SPX-M

### ErgoRack, Sprinter

Two Crossbars, Powder Coat Finish  
Rack Weight (empty): 65 lbs

\*Callouts in this Configuration Overview indicate full module assemblies only.

For details on individual parts, please refer to the linked Module Overviews below.

- A: ..... [FEA-0001 End Stop Assembly](#)
- B: ..... [FBM-1009-BLK Mounting System](#)
- C: ..... [CBR-0007 Crossbar Assembly](#)
- D: ..... [FEA-0003 Slide Rotation Assembly](#)
- E: ..... [FEA-0019 Rotation Driveshaft Assembly](#)

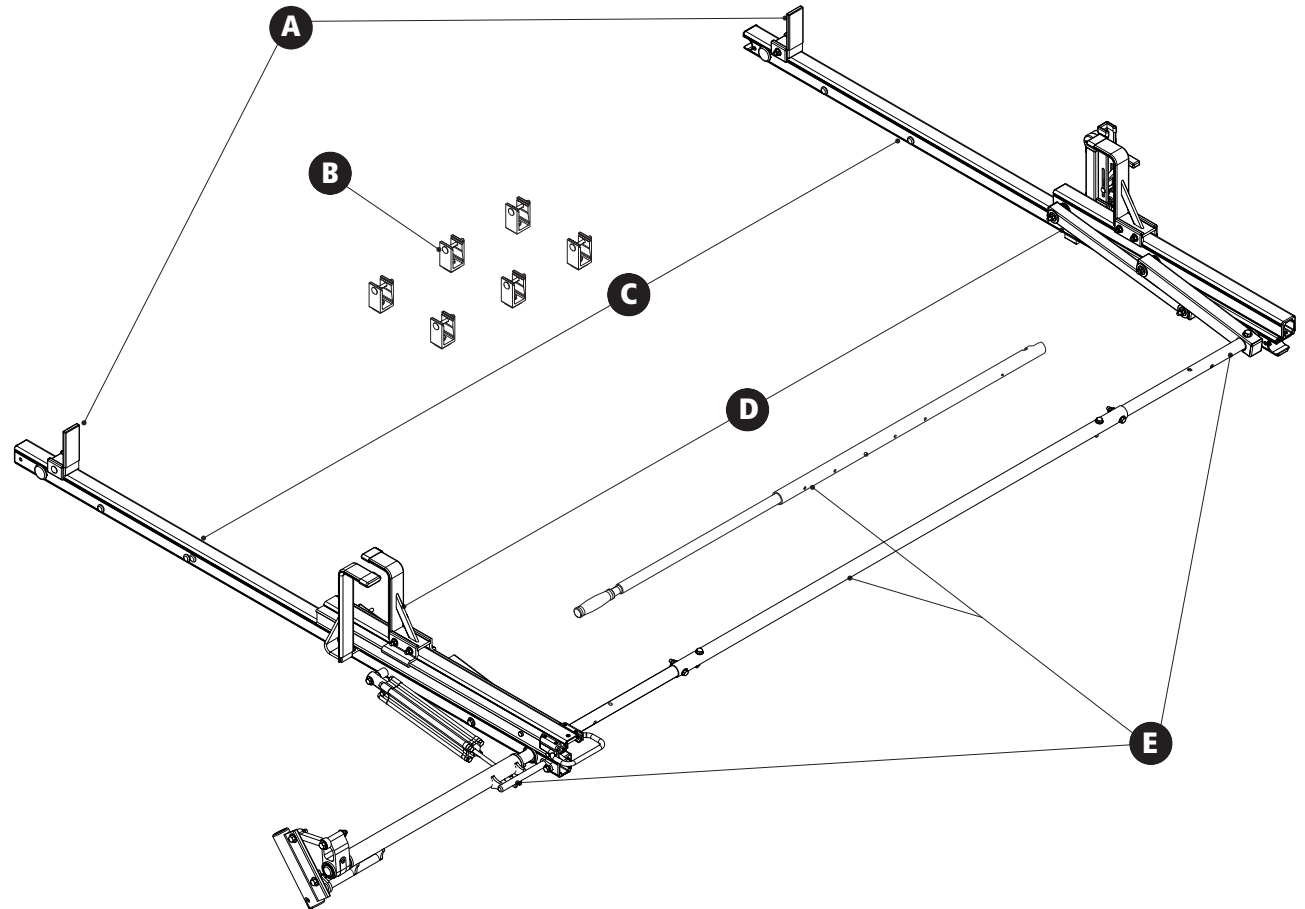
[Modular Assembly Manuals](#)

### ErgoRack Van—Load specifications:

Check vehicle manufacturer recommendations for roof capacity weight limits.

CROSSBAR SPACING	STEP LADDER	EXT. LADDER
4 ft Spacing	6 – 8 ft.	16 – 20 ft.
5 ft Spacing	8 – 10 ft.	16 – 24 ft.
6 ft Spacing	8 – 12 ft. <sup>†</sup>	16 – 28 ft.
7 ft Spacing	10 – 12 ft. <sup>†</sup>	20 – 32 ft.
8 ft Spacing	10 – 12 ft. <sup>†</sup>	20 – 36 ft.

<sup>†</sup>Rotation Configurations: 12 ft. step ladders require an extended upper add-on component.



## HBR-E-SPX-M

### ErgoRack, Sprinter

*Approximate dimensions as shown:  
Shown installed on a Sprinter L1H2 with  
factory-installed channels (not included).*

*Some dimensions will be determined  
by channel dimensions pre-installed on  
your vehicle.*

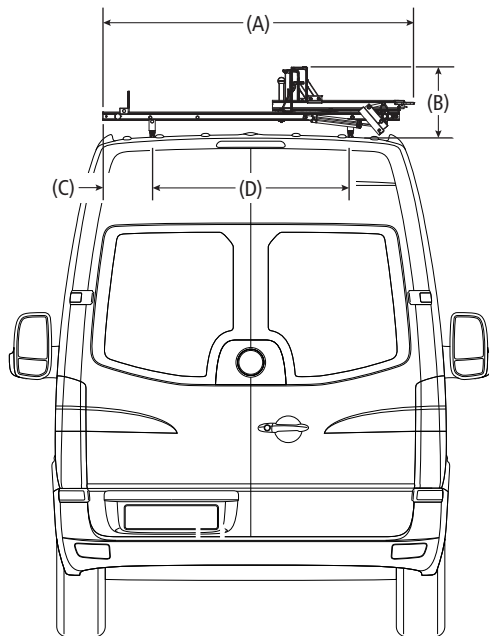
#### All Wheelbases and Roof Heights

- A: Rack Width ..... 76"
- B: Rack Height ..... Variable
- C: Rear Crossbar Offset (Left)..... 10.125"
- D: Mount Spacing L/R..... Set at install
- E: Total Crossbar Spacing..... 6'-8'
- F: Rack Length ..... Variable

#### Compatible Accessories Available

(Sold Separately)

- Retractable Ratchet Tie-Down.....[ACC-8000](#)
- Rear Access Ladder.....[AAL Series](#)
- 8'-12' Conduit Carriers.....[CON Series](#)
- WorkPro LED Lighting.....[LED Series](#)
- Systems and Safety Components .....[RVS Series](#)
- Safety monitoring.....[DS2 Series](#)



Rear Drive Shaft Offset: 29"

Note: The end of the driveshaft must  
not extend beyond the vehicle bumper

