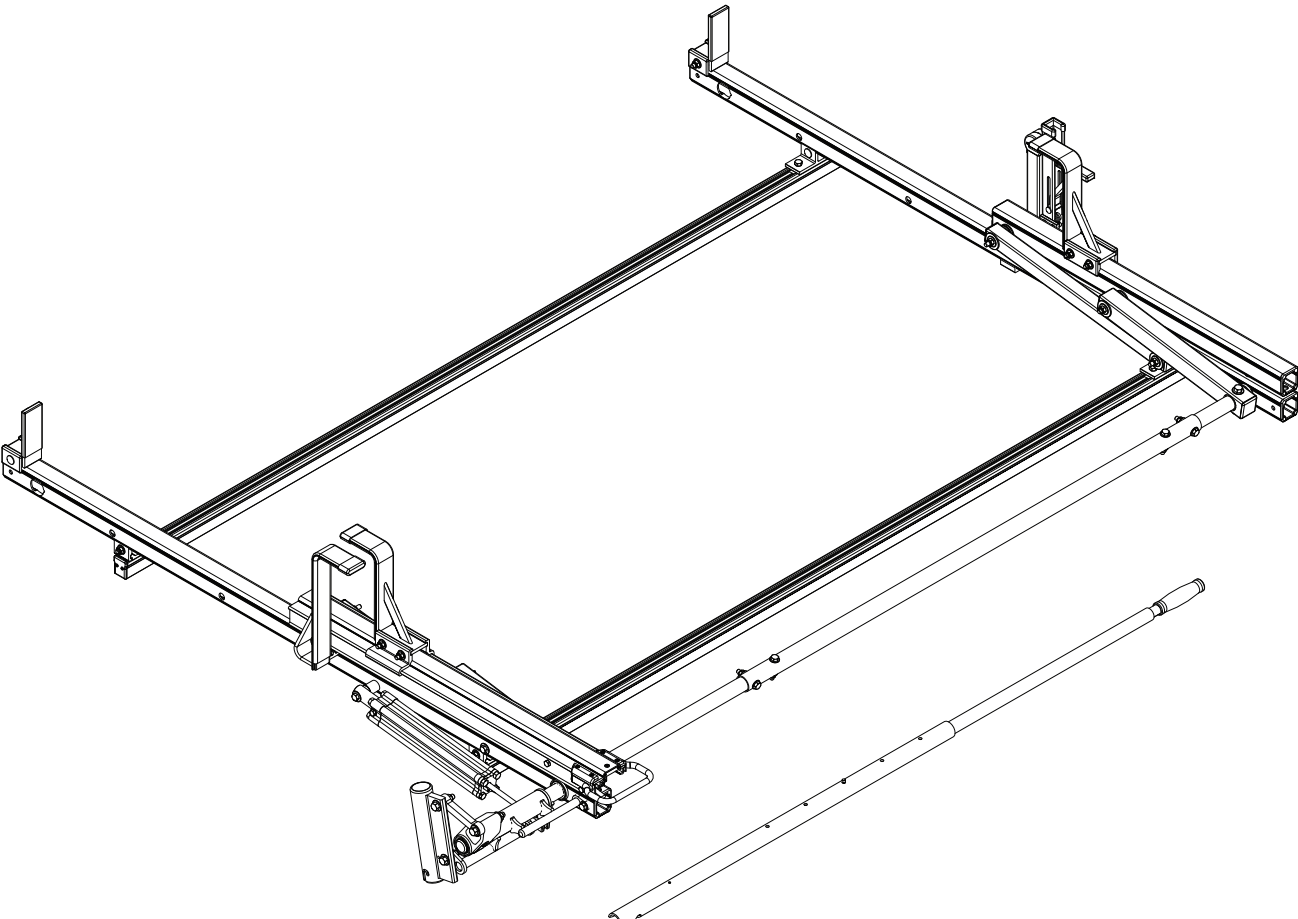


# PRIME DESIGN™

A Safe Fleet Brand



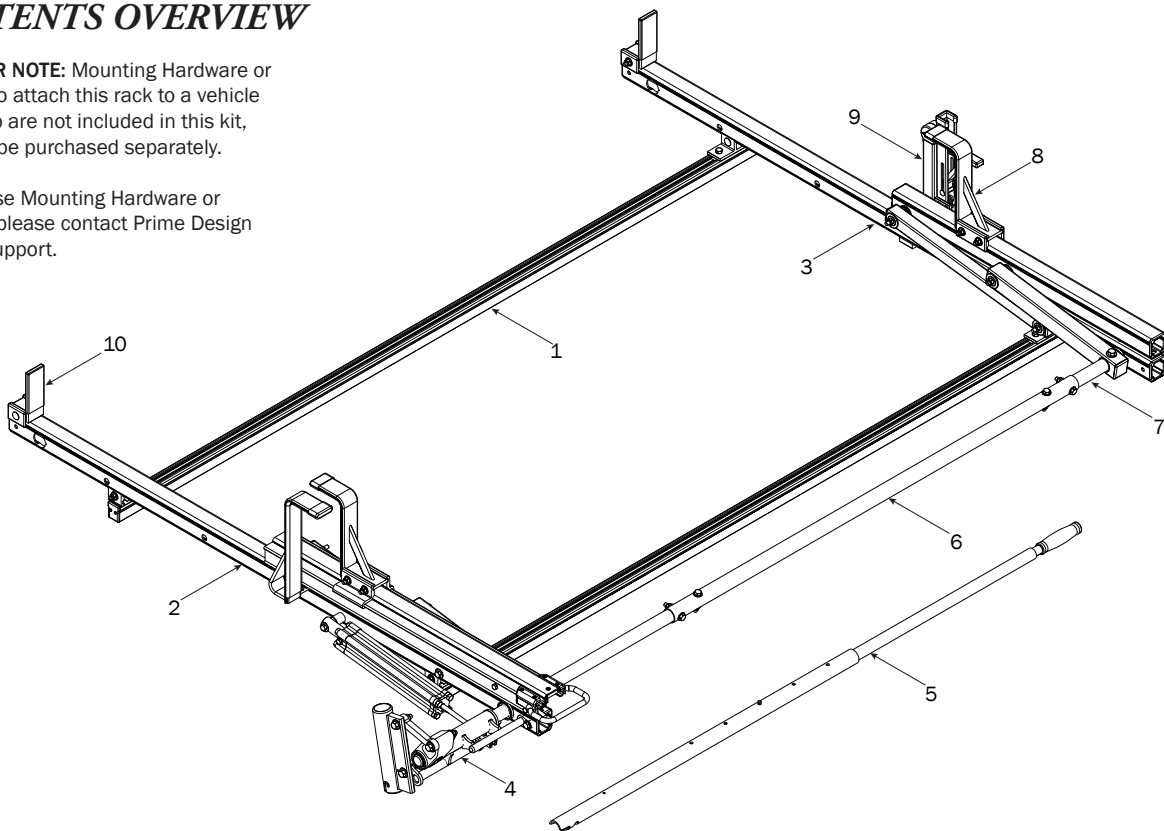
# 60000

# HBR-E

# CONTENTS OVERVIEW

**INSTALLER NOTE:** Mounting Hardware or Brackets to attach this rack to a vehicle roof or cap are not included in this kit, and must be purchased separately.

To purchase Mounting Hardware or Brackets, please contact Prime Design Sales & Support.



1—FBM-0001..... (Qty 1)  
Channels with hardware



Channels (2X)



Screws (8X)

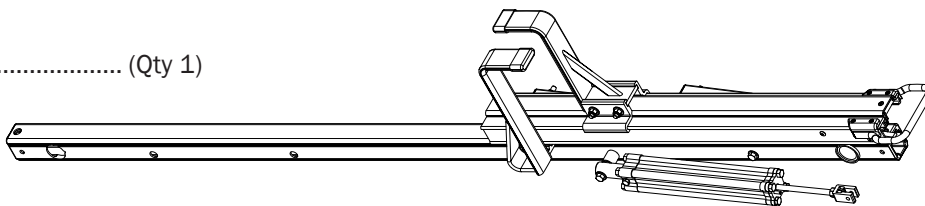


End Caps (4X)

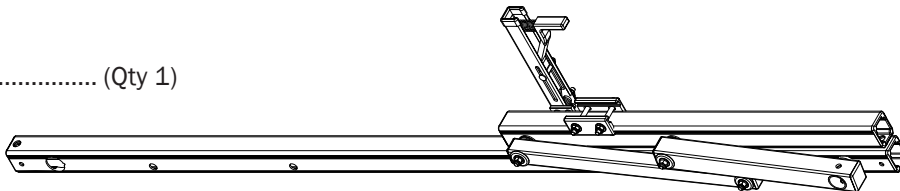


Brackets (4X)

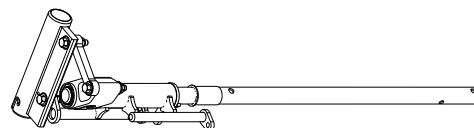
2—Rear Crossbar Assembly..... (Qty 1)



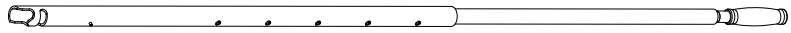
3—Front Crossbar Assembly ..... (Qty 1)



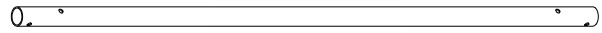
4—Rear Drive Shaft ..... (Qty 1)  
Right Hand, G4, 33.50"



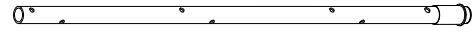
5—HRR Handle Assembly ..... (Qty 1)  
35.00"



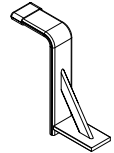
6—Connecting Bar ..... (Qty 1)  
48.00"



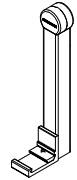
7—Front Drive Shaft ..... (Qty 1)  
B Version, 35.75"



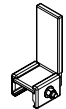
8—Z Post ..... (Qty 1)  
Adjustable 7.25"



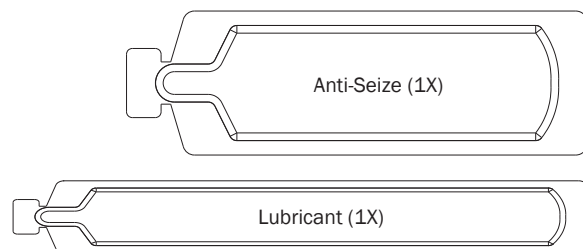
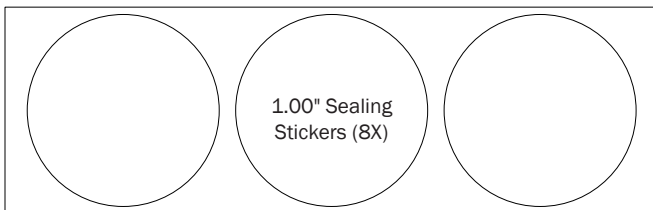
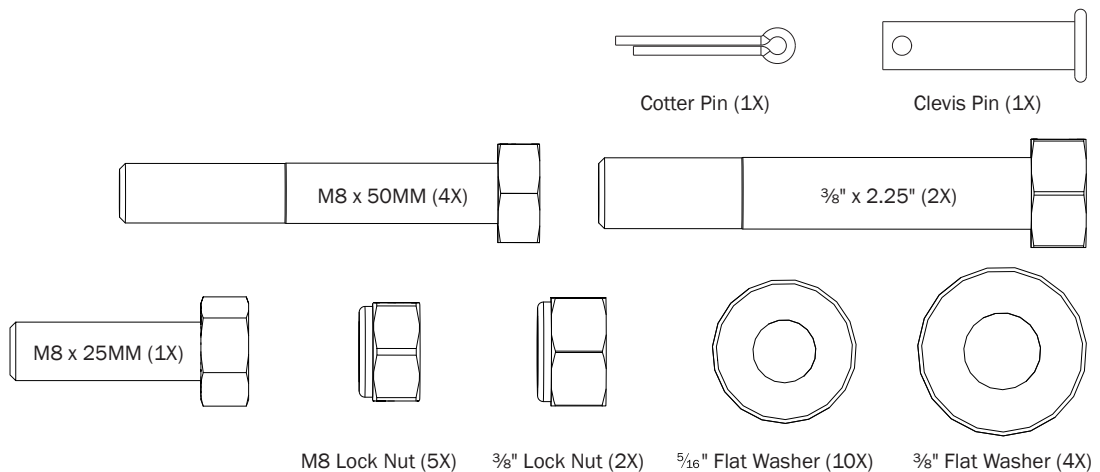
9—L Post ..... (Qty 1)  
Roller Cap, 9.25"



10—Ladder Stop Assembly ..... (Qty 2)  
1.75"



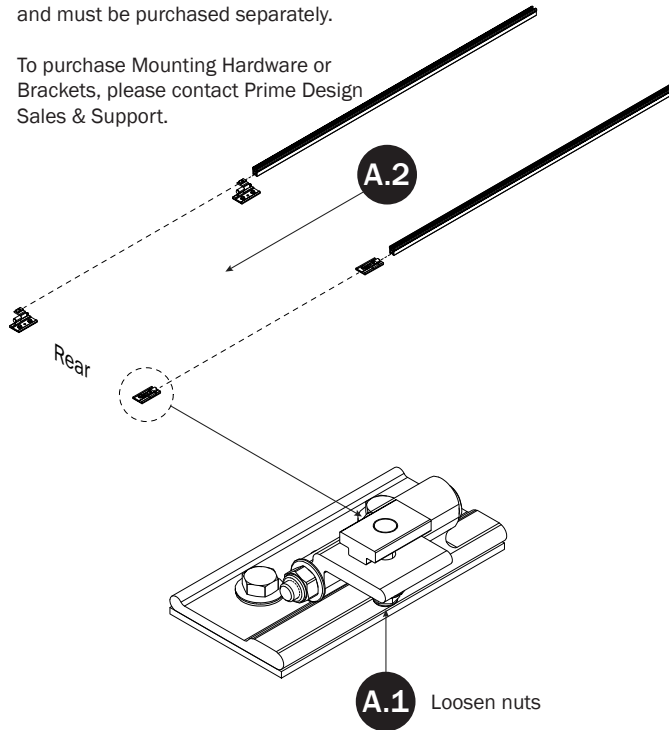
HKT-8163-Rotation Hardware Kit



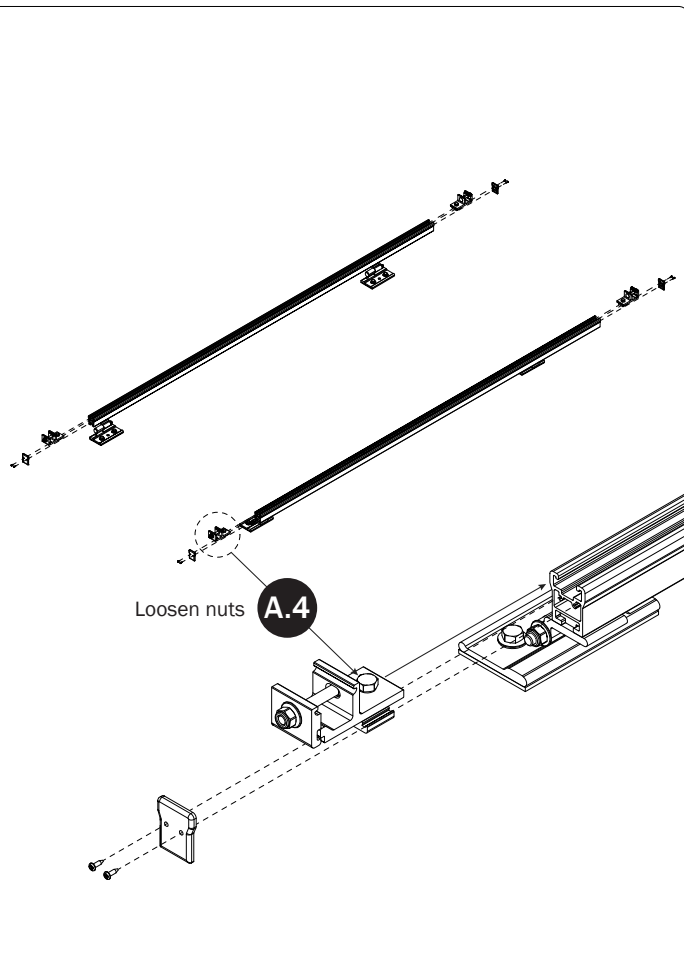
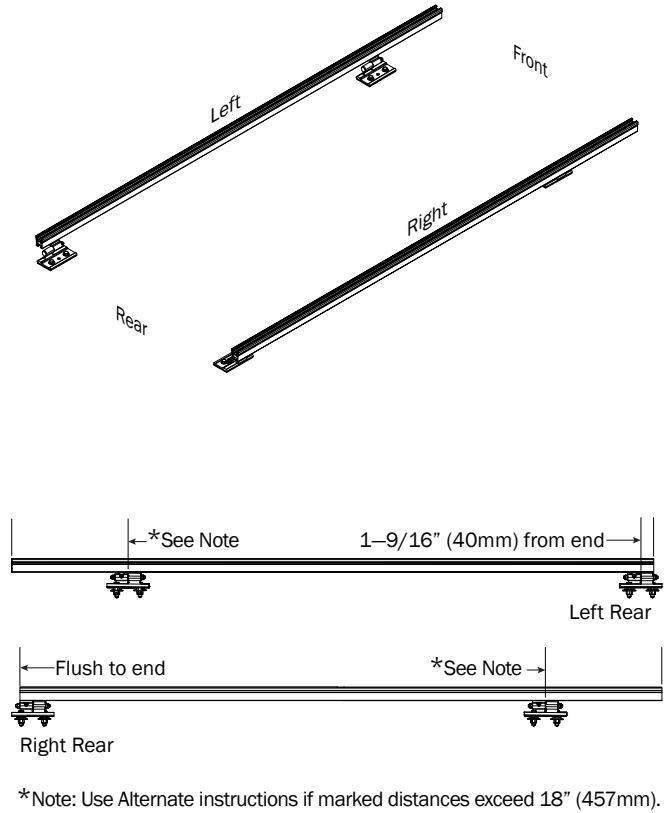
**FBM-0001 FLUSH CHANNELS TO PRE-INSTALLED MOUNTING BRACKETS**

**INSTALLER NOTE:** Mounting Hardware or Brackets to attach this Rack to a vehicle roof or cap are not included in this kit, and must be purchased separately.

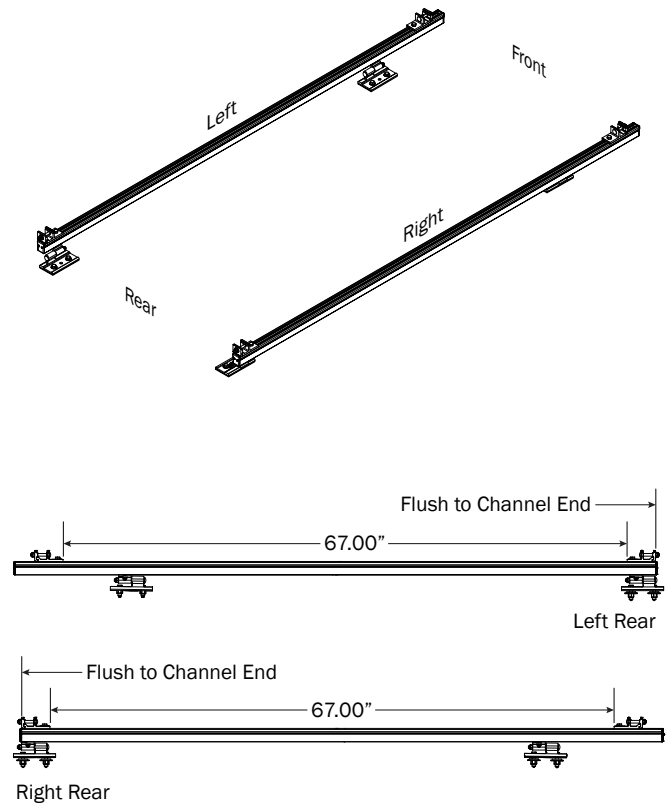
To purchase Mounting Hardware or Brackets, please contact Prime Design Sales & Support.



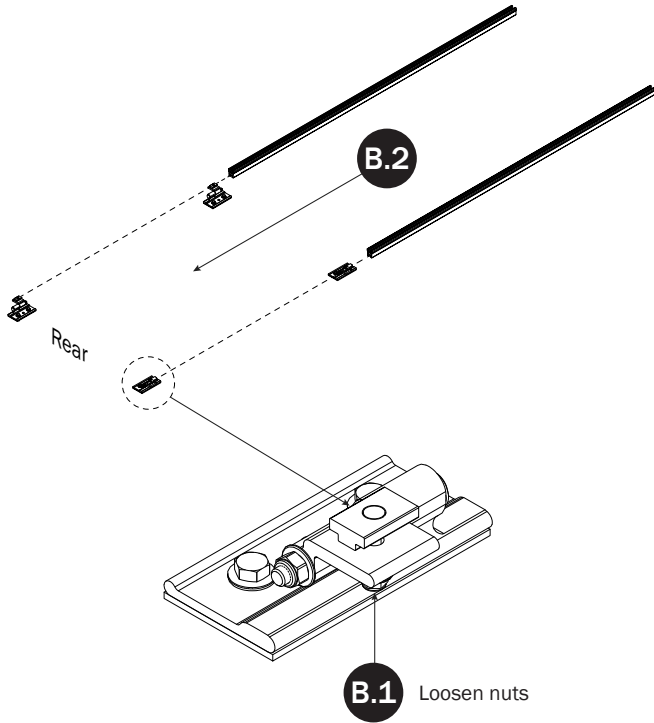
**A.3** Set to distances then torque nuts to 80 in-lbs



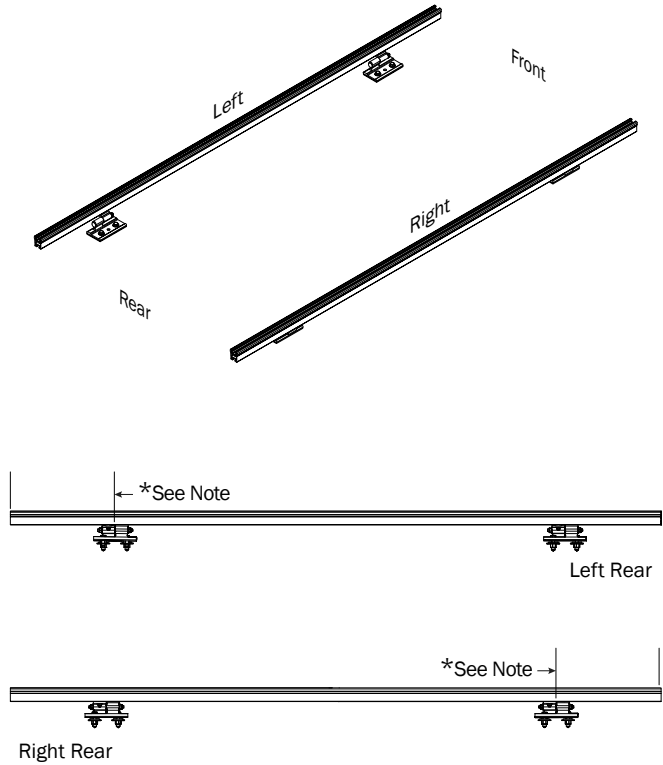
**A.5** Set to distances then torque Rear Bracket nuts to 90 in-lbs



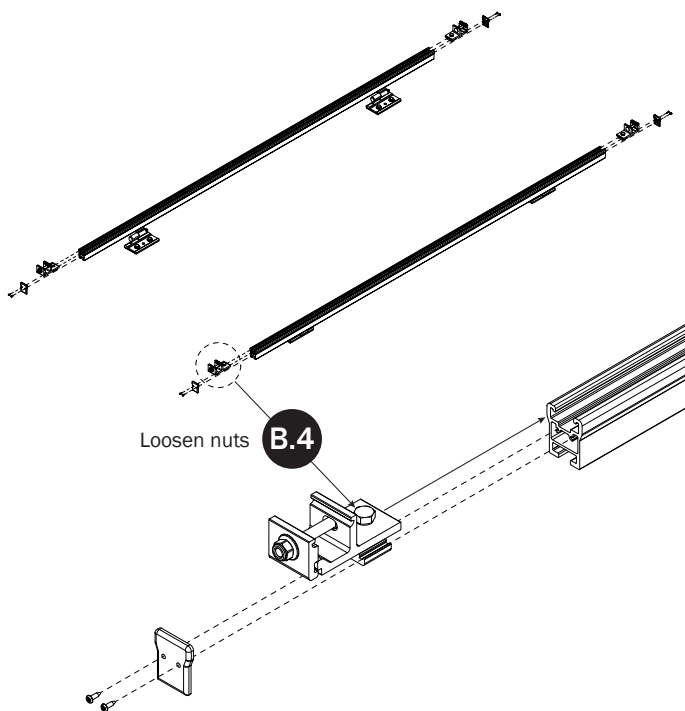
**FBM-0001 ALTERNATE**  
CHANNELS TO PRE-INSTALLED  
MOUNTING BRACKETS



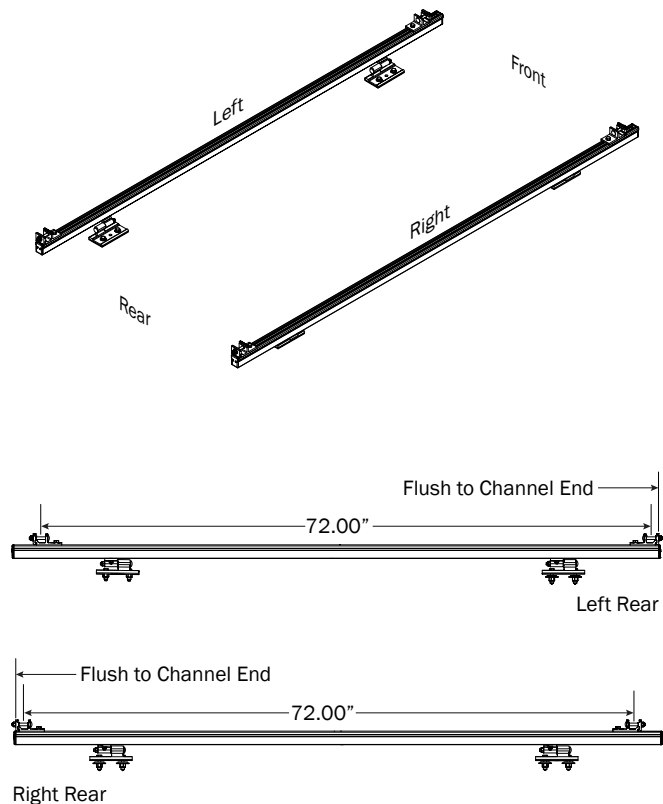
**B.3** Set to distances then torque nuts to 80 in-lbs



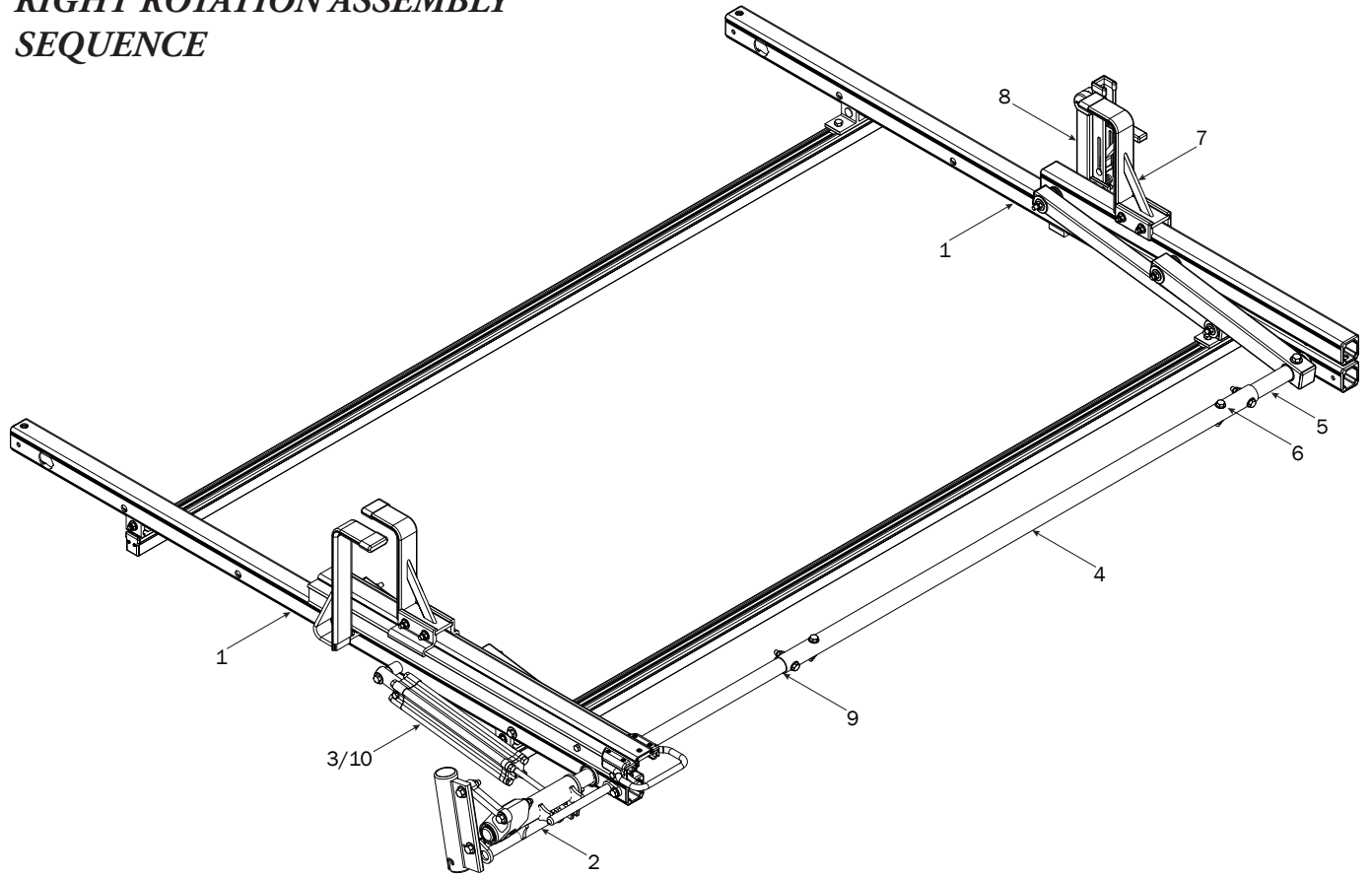
\* Move Channels rearward until front distance no longer exceeds 18" (457mm).



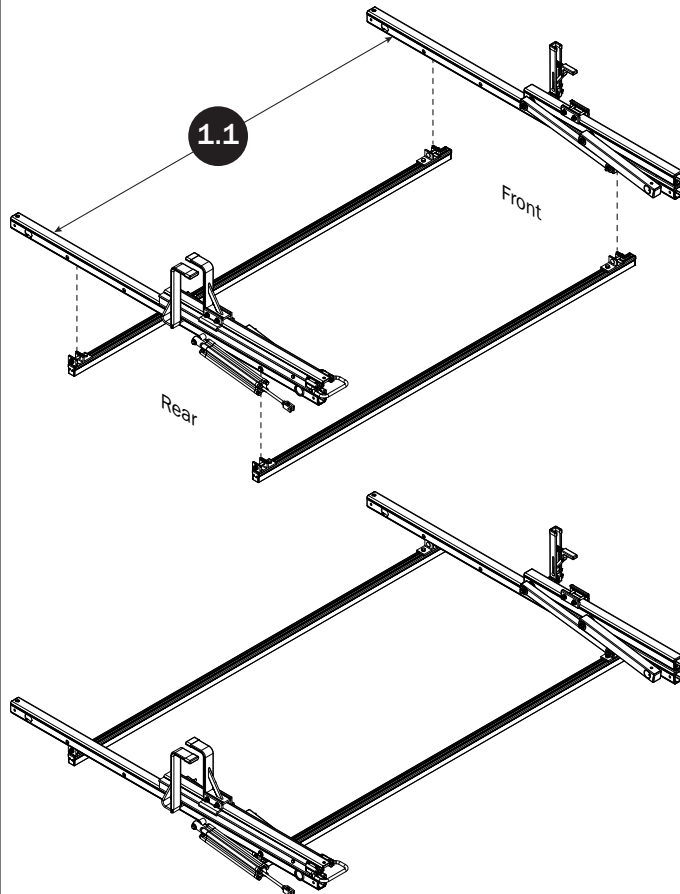
**B.5** Set to distances then torque Rear Bracket nuts to 90 in-lbs



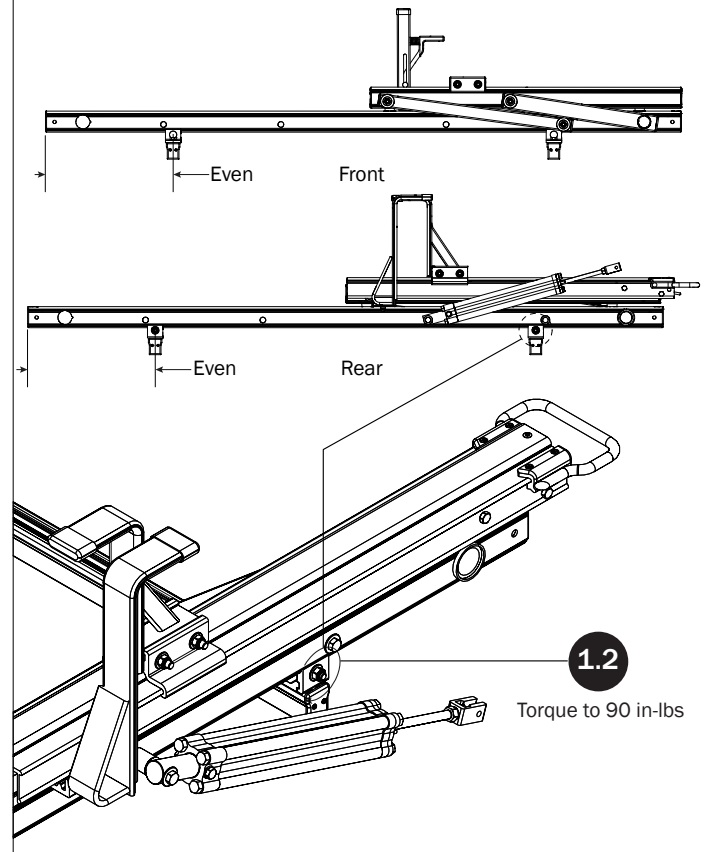
**RIGHT ROTATION ASSEMBLY SEQUENCE**



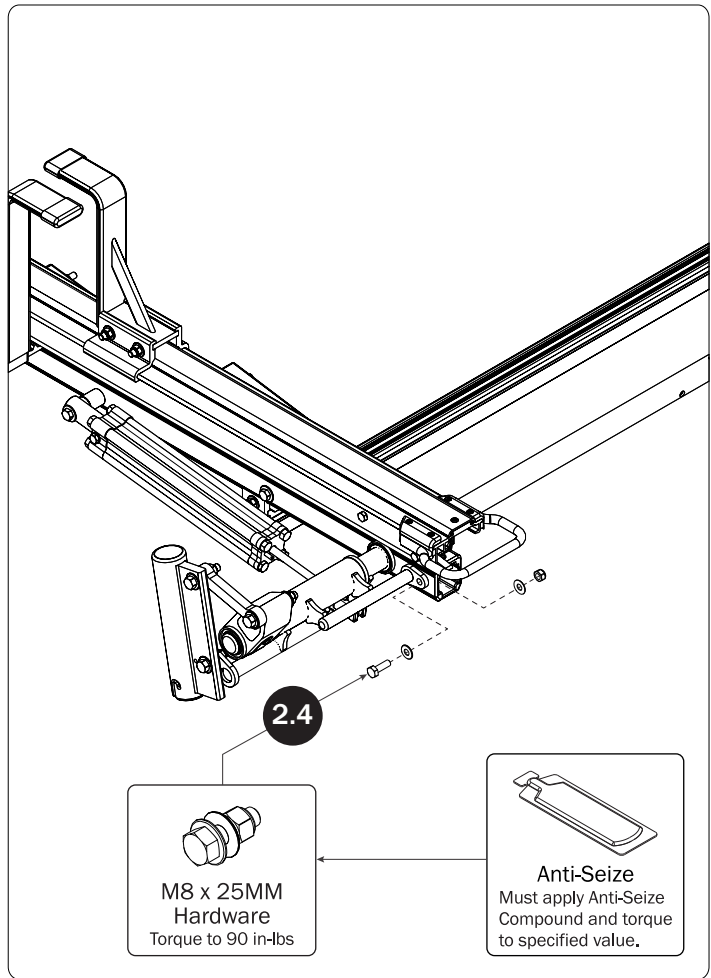
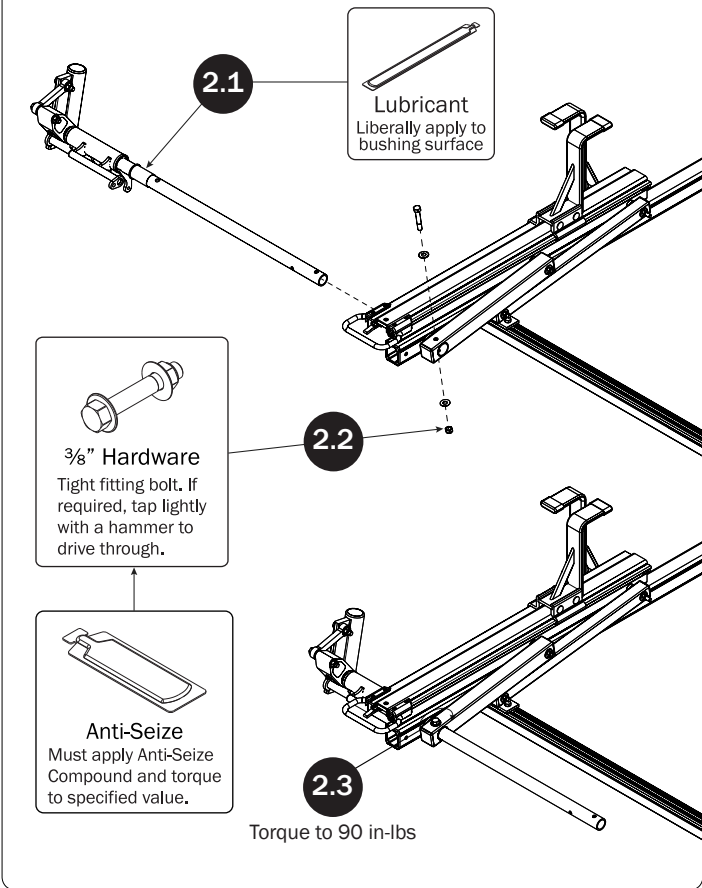
**CROSSBARS**



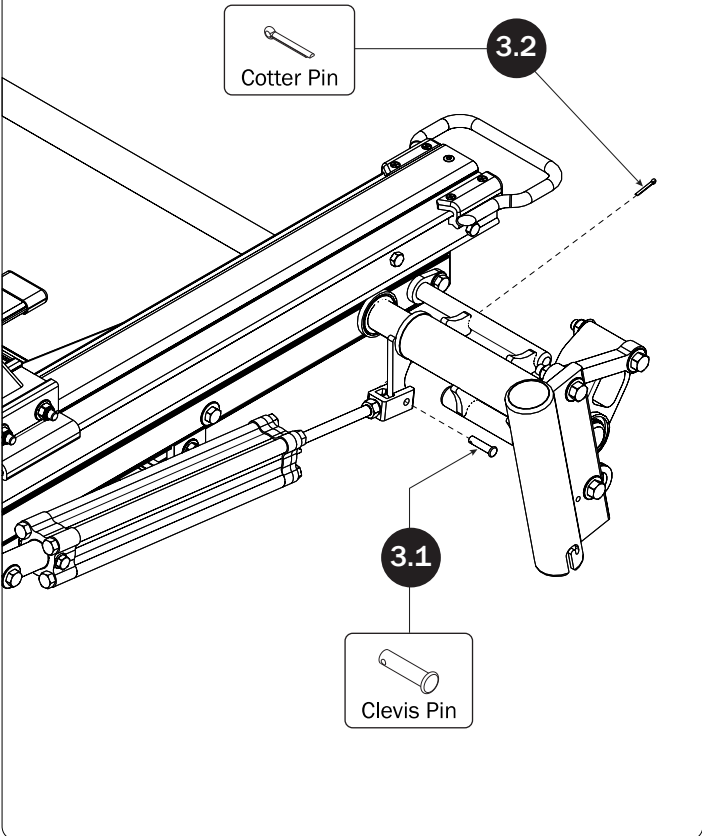
**CROSSBAR ADJUSTMENT**



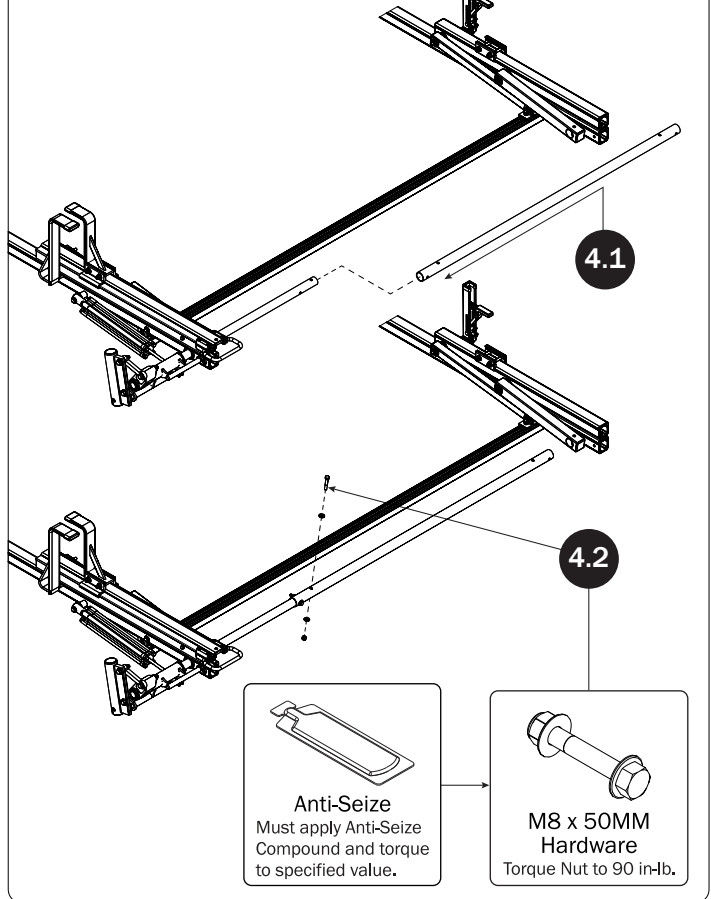
**REAR DRIVE SHAFT**



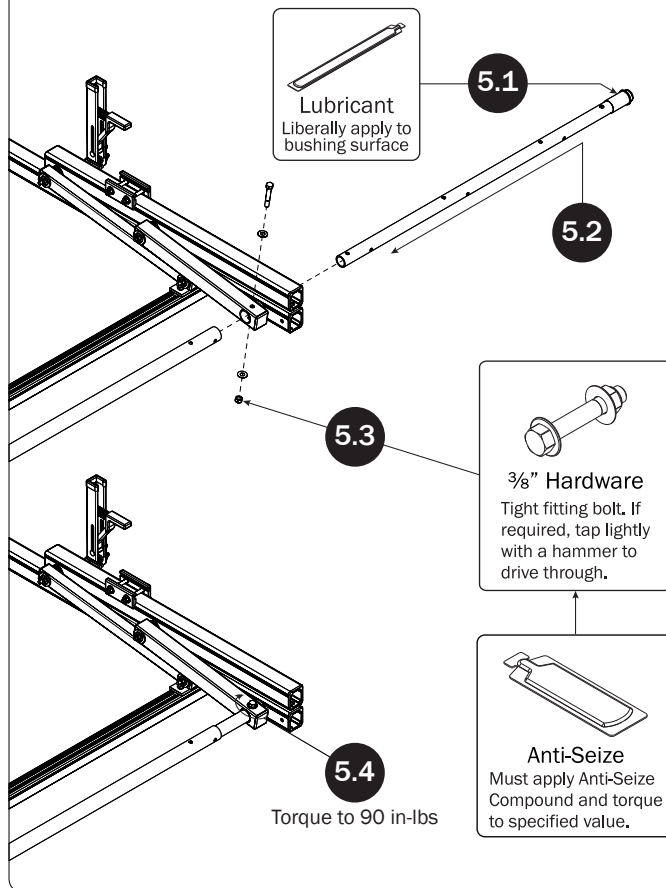
**CYLINDER HARDWARE**



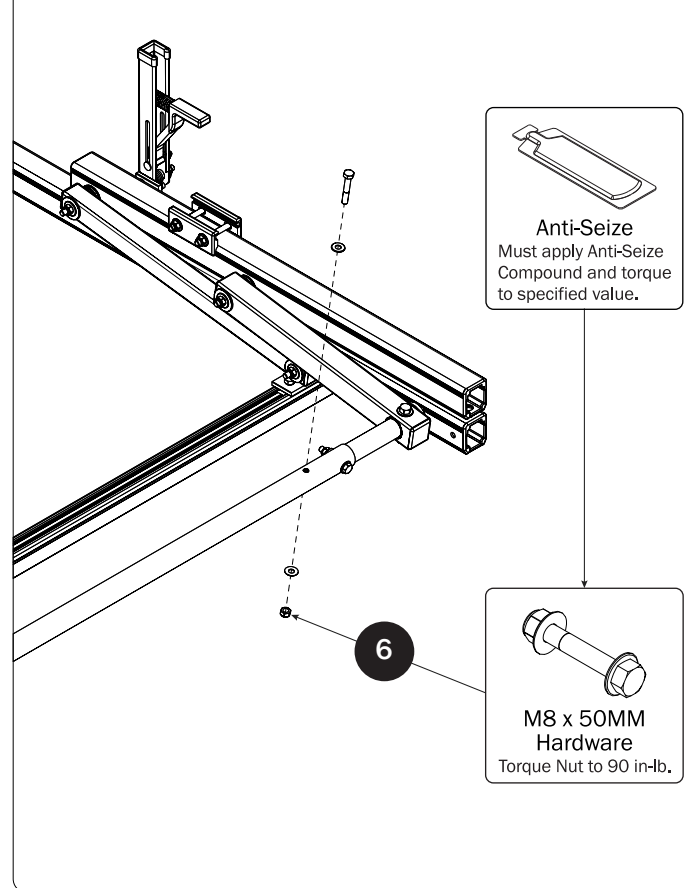
**CONNECTING BAR**



### FRONT DRIVE SHAFT

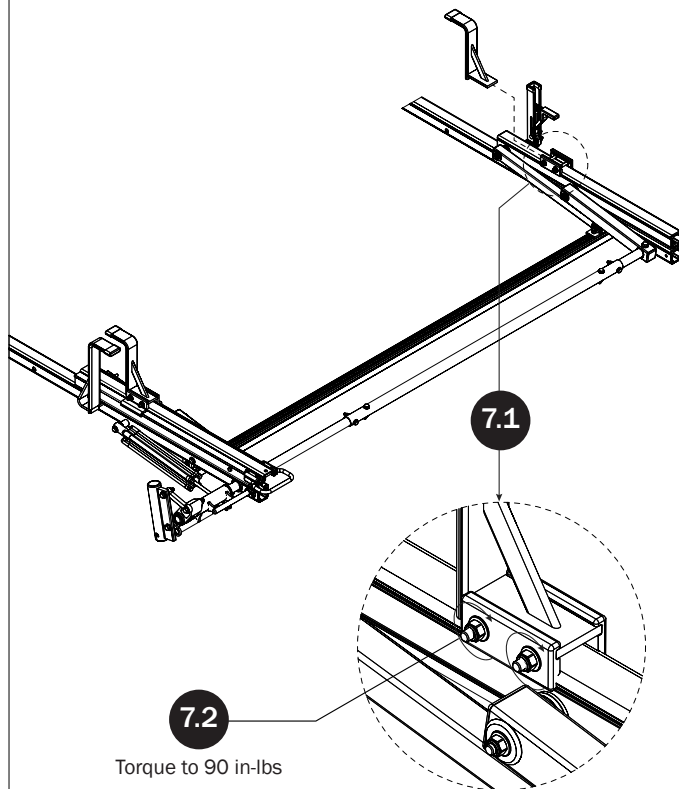


### CONNECTING BAR FASTENERS



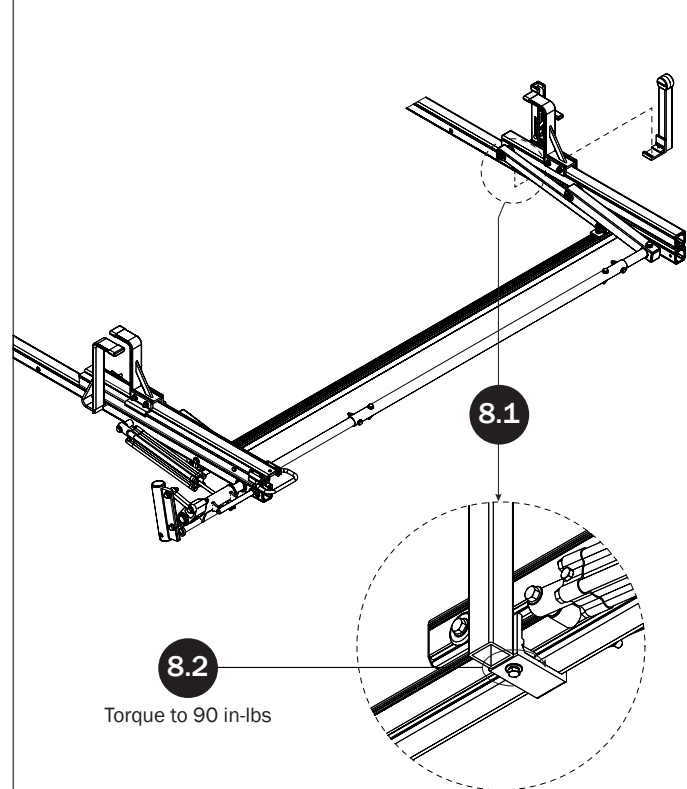
### Z POSTS

SEE QUICK START GUIDE FOR ADJUSTMENTS



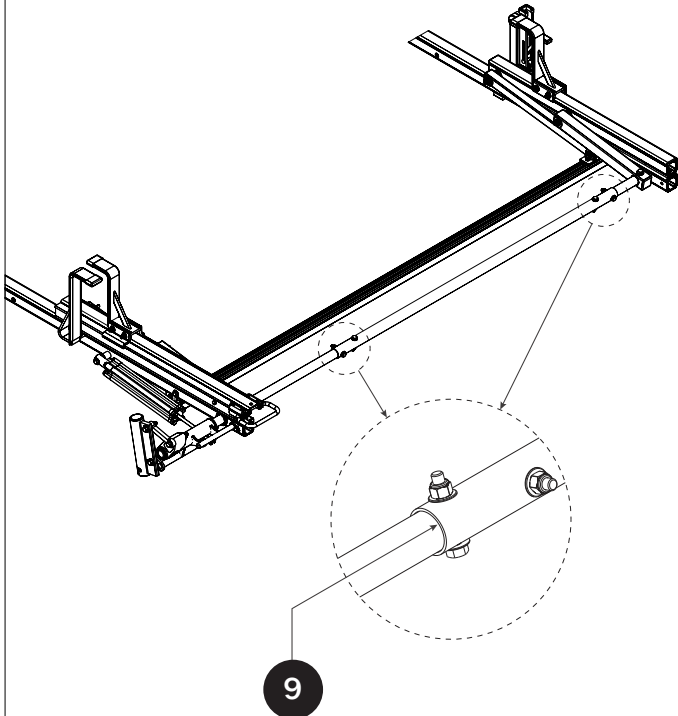
### L POSTS

SEE QUICK START GUIDE FOR ADJUSTMENTS





## DRIVE SHAFT SEALING

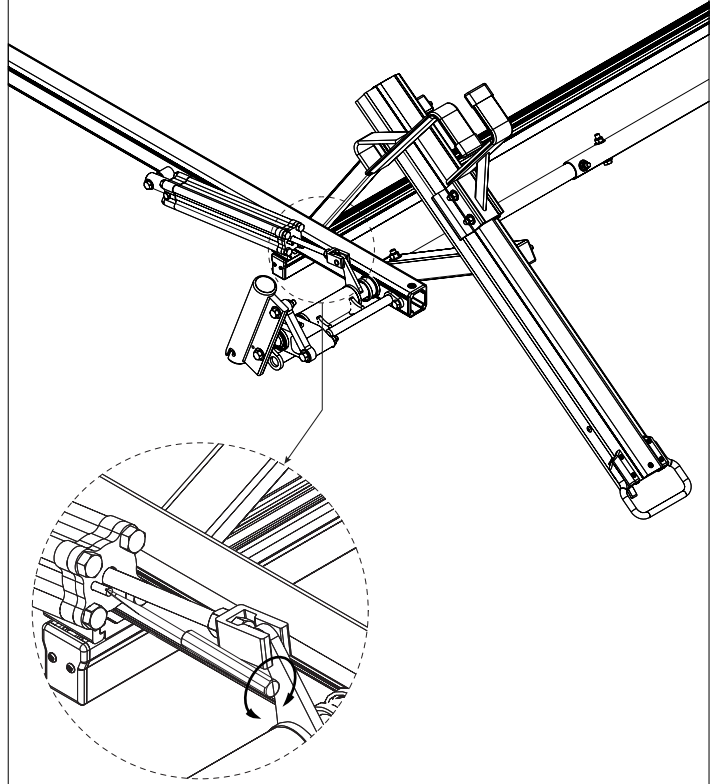


9  
Apply Silicone Sealant  
to Connecting Bar ends

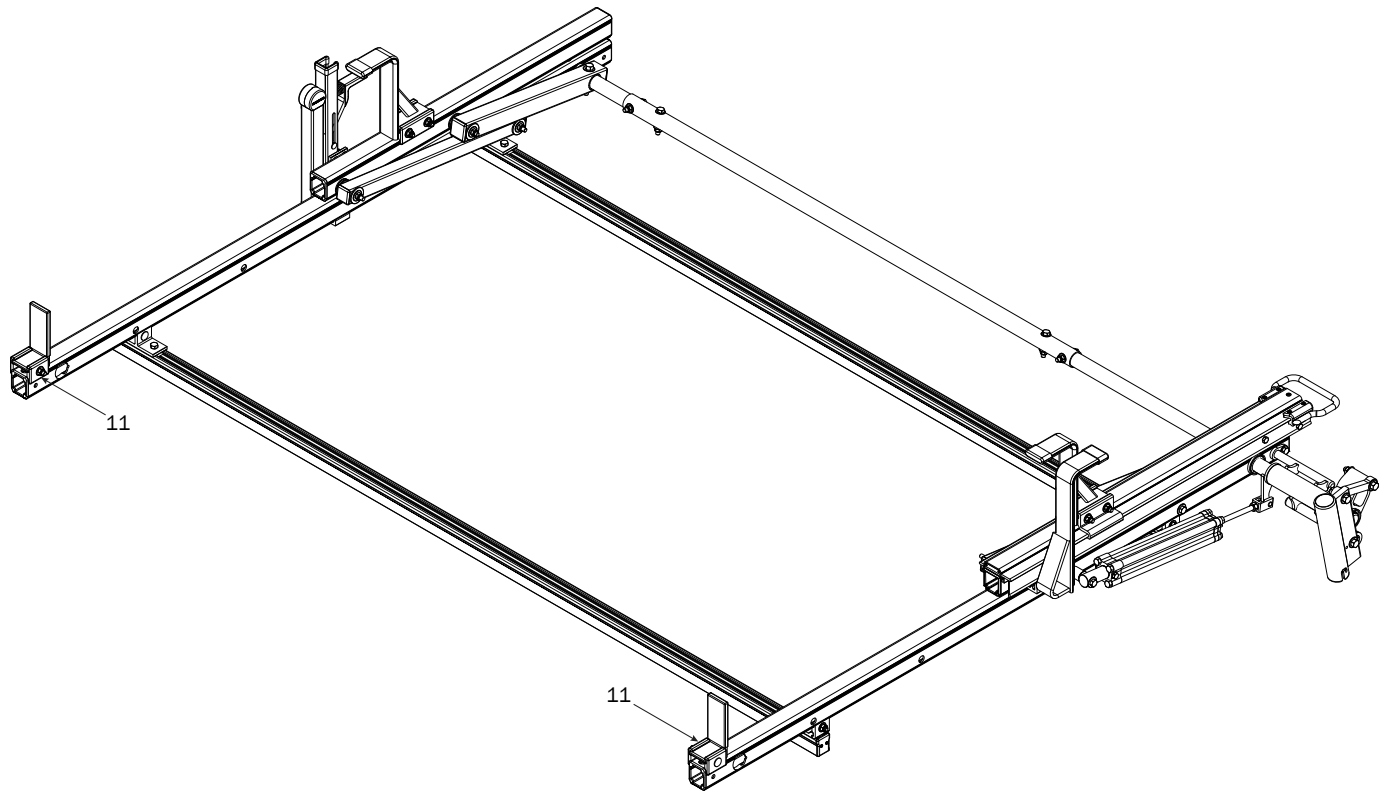
## CYLINDER ADJUSTMENT

10

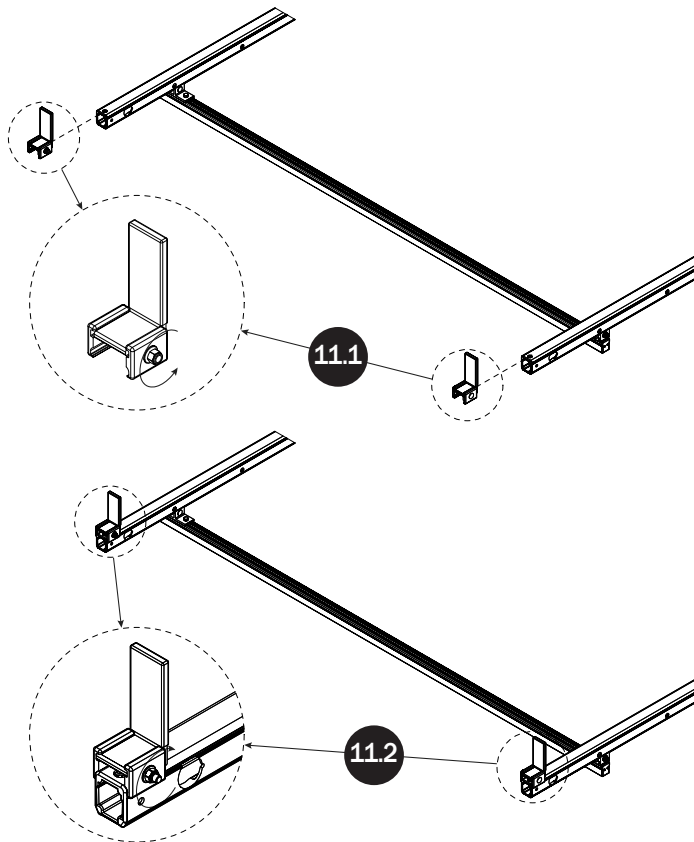
Adjust the Cylinder Flow Control Screw to allow approximately 3 seconds time for the ladder to glide down when operating the loaded Ladder Rack.



LEFT SIDE BASE ASSEMBLY SEQUENCE



LADDER STOPS



Page Intentionally Left Blank

