

FEA-0019

Right Hand Rotation Driveshaft

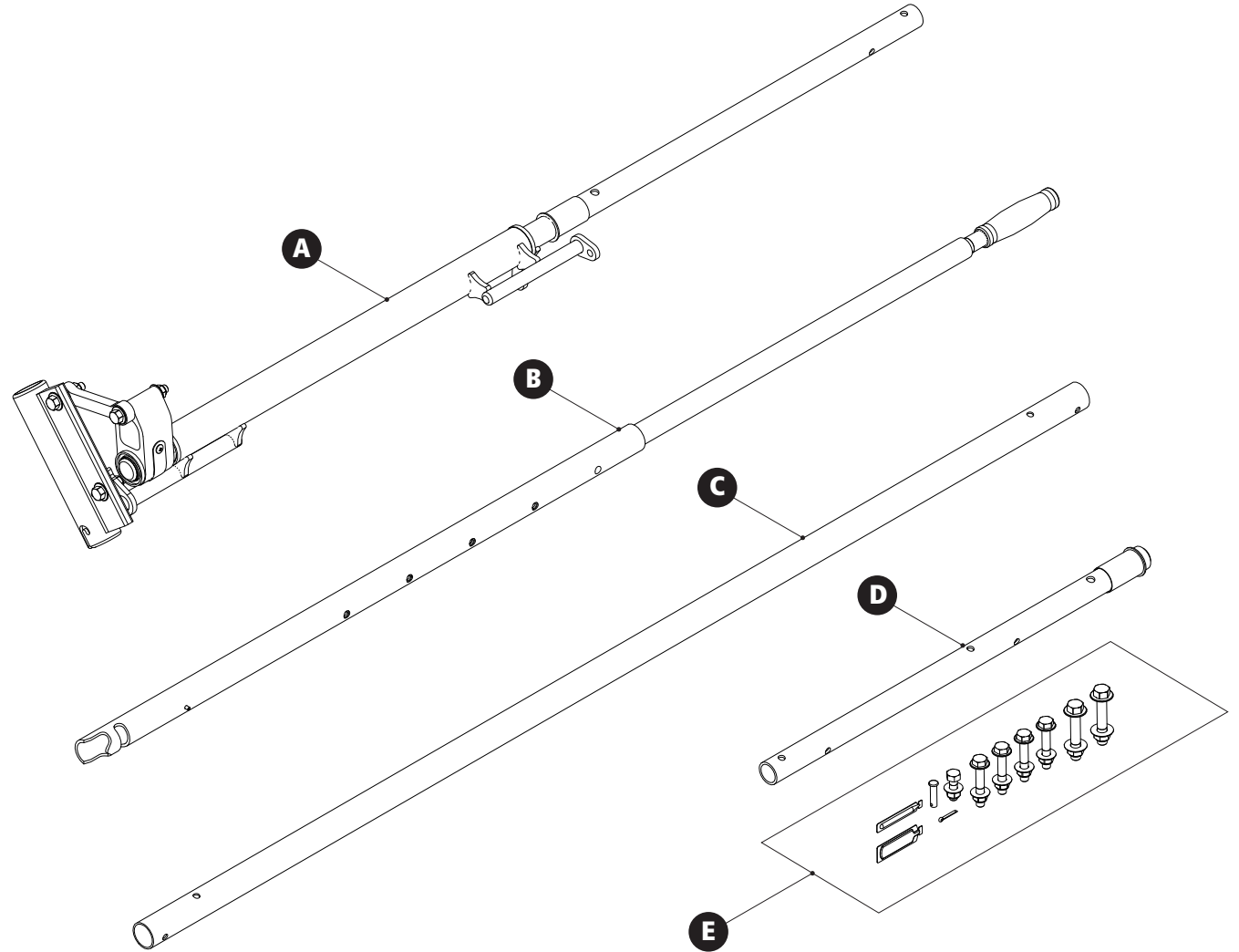
Dimensional Specifications on Page 2

Configuration as shown:

High Roof Rotation, White Powder Coat Finish
Kit Weight: 25 lbs

- A: ELR-8092 Rear Drive Shaft
- B: RKT-7809 Handle
- C: ELR-8200/FEA-0022 Connecting Bar
- D: ELR-8068 Front Drive Shaft
- E: HKT-8163 Hardware Kit

[Modular Assembly Manuals](#)

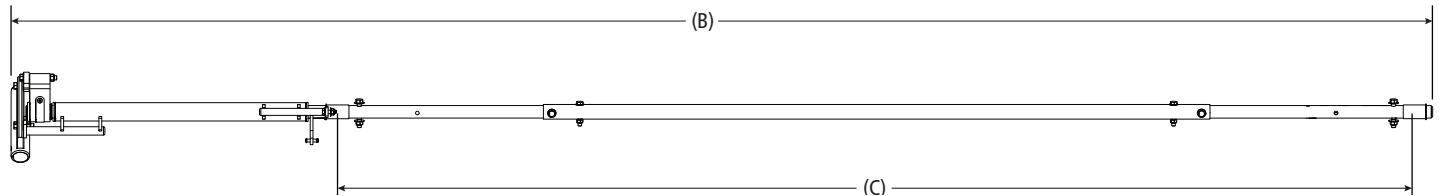
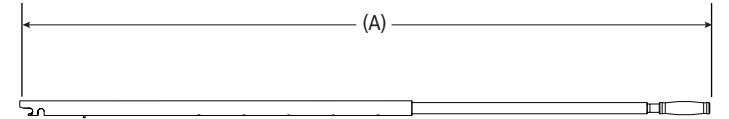
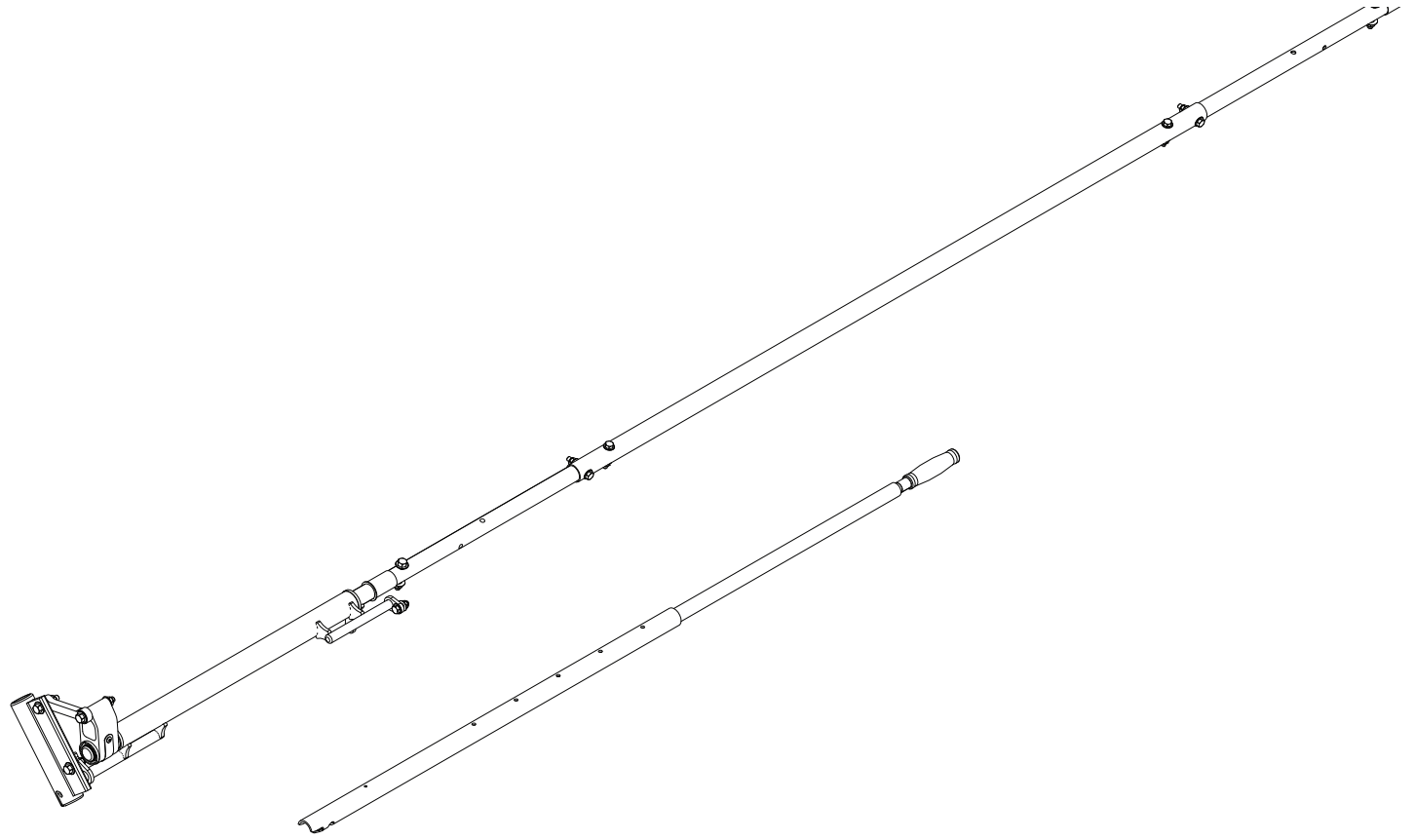


FEA-0019

Right Hand Rotation Driveshaft

Approximate dimensions as shown:

- A: Handle Length 35"
- B: Rotation Length 103"–127"
- C: Crossbar Spacing 6'–8'



Assembly Manual also available:

[FEA-0019](#)

USOV-FEA0019-US01 Rev-A 1221