

FEA-0016

Left Hand Rotation Driveshaft

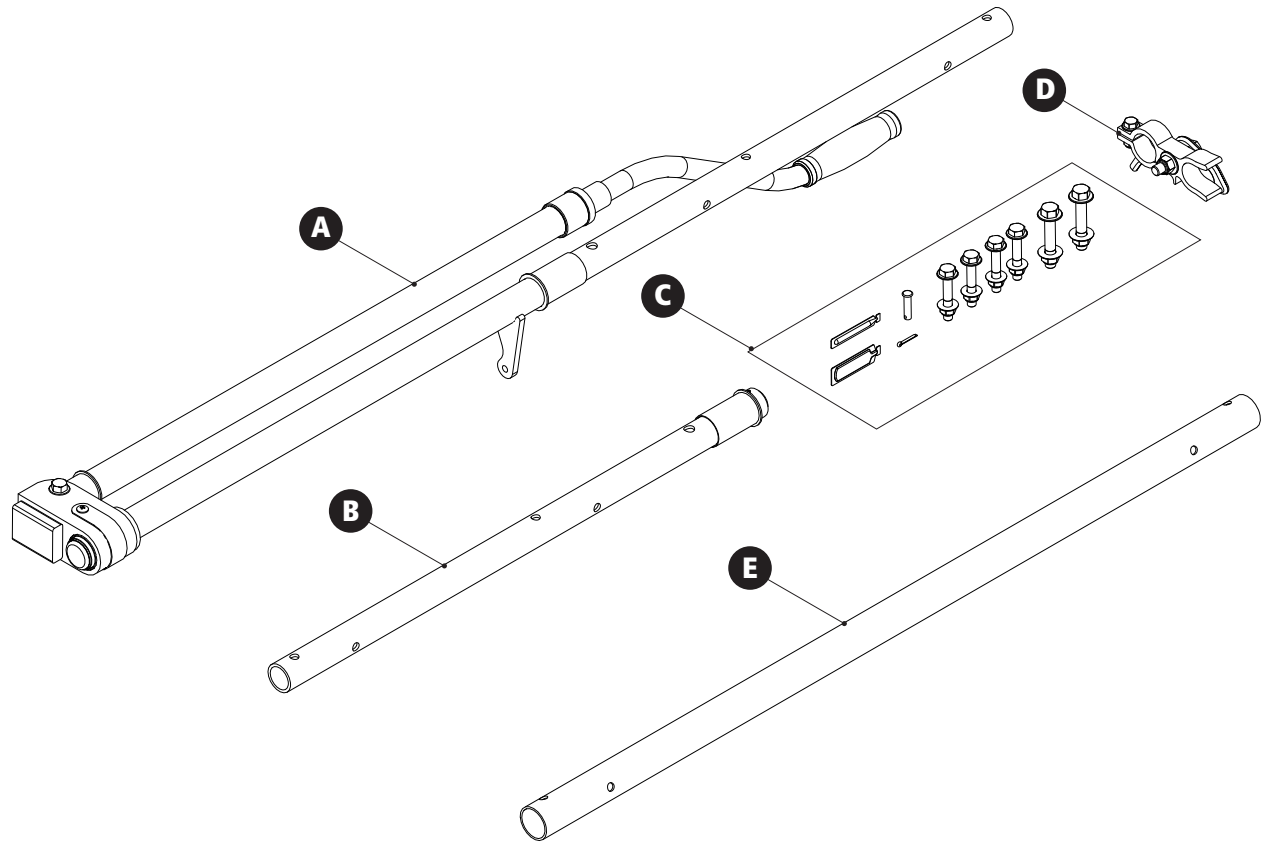
Dimensional Specifications on Page 2

Configuration as shown:

Bent Handle, White Powder Coat Finish
Kit Weight: 24 lbs

- A: ELR-8293 Rear Drive Shaft
- B: ELR-8068 Front Drive Shaft
- C: HKT-8163 Hardware Kit
- D: RKT-7890 Handle Clamp
- E: ELR-8203 Connecting Bar

[Modular Assembly Manuals](#)



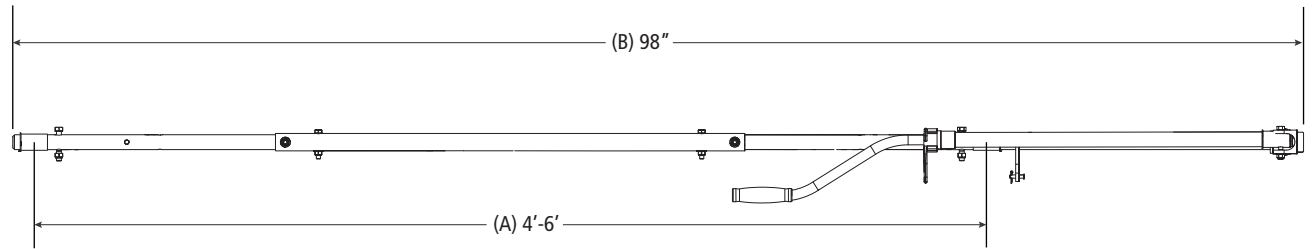
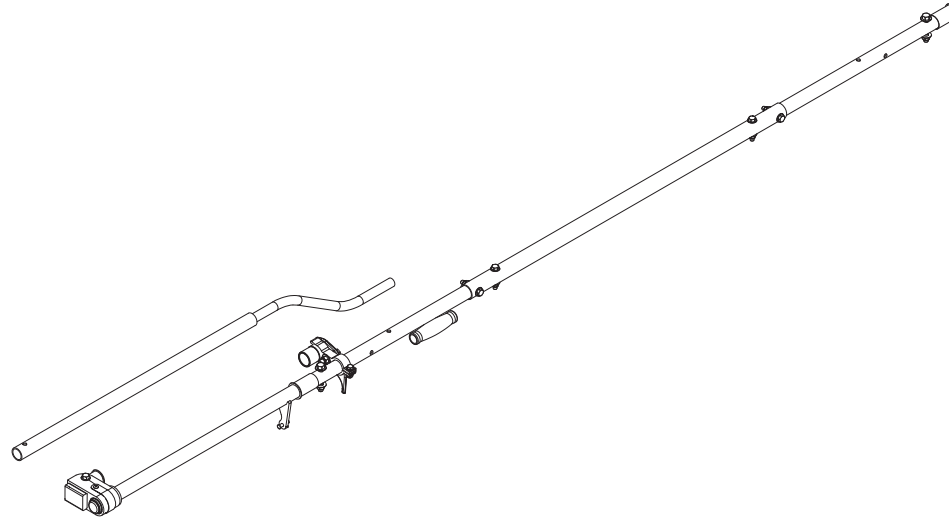
FEA-0016

Left Hand Rotation Driveshaft

Approximate dimensions as shown:

A: Crossbar Spacing 4'-6"

B: Length 98"



Assembly Manual also available:

[FEA-0016](#)

USOV-[FEA0016-US01](#) Rev-D 1221