

FEA-0015

Right Hand Rotation Driveshaft

Dimensional Specifications on Page 2

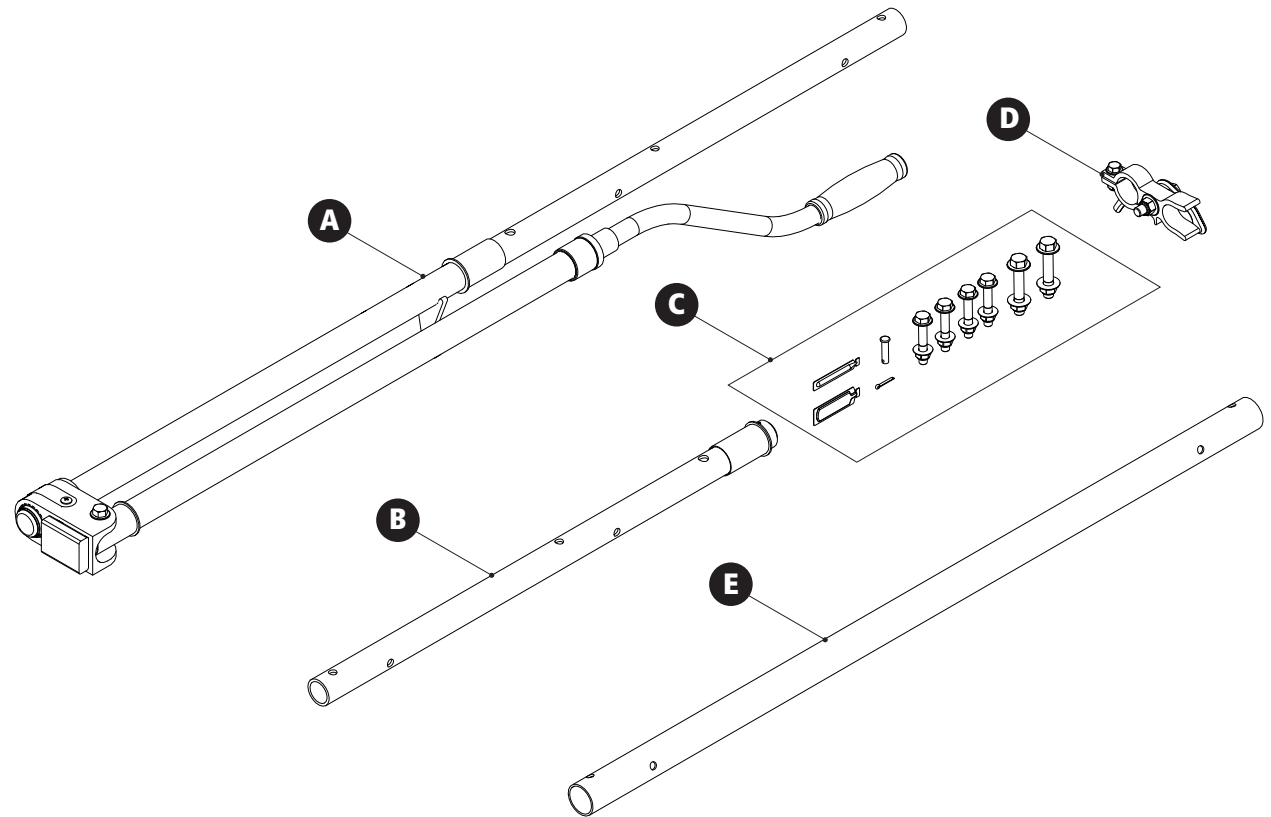
Configuration as shown:

Bent Handle, White Powder Coat Finish

Kit Weight: 24 lbs

- A: ELR-8292 Rear Drive Shaft
- B: ELR-8068 Front Drive Shaft
- C: HKT-8163 Hardware Kit
- D: RKT-7889 Handle Clamp
- E: ELR-8203 Connecting Bar

[Modular Assembly Manuals](#)

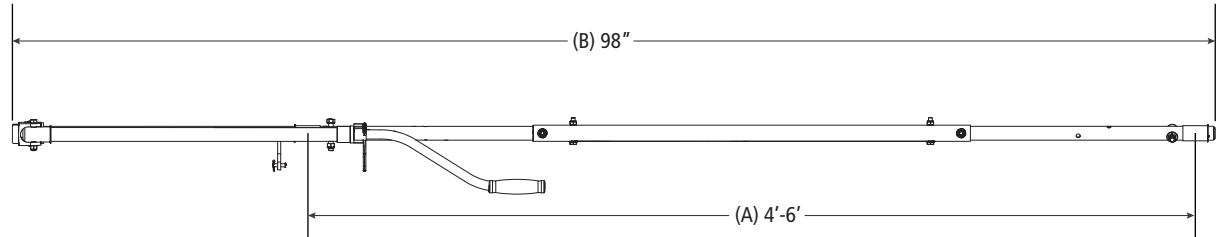
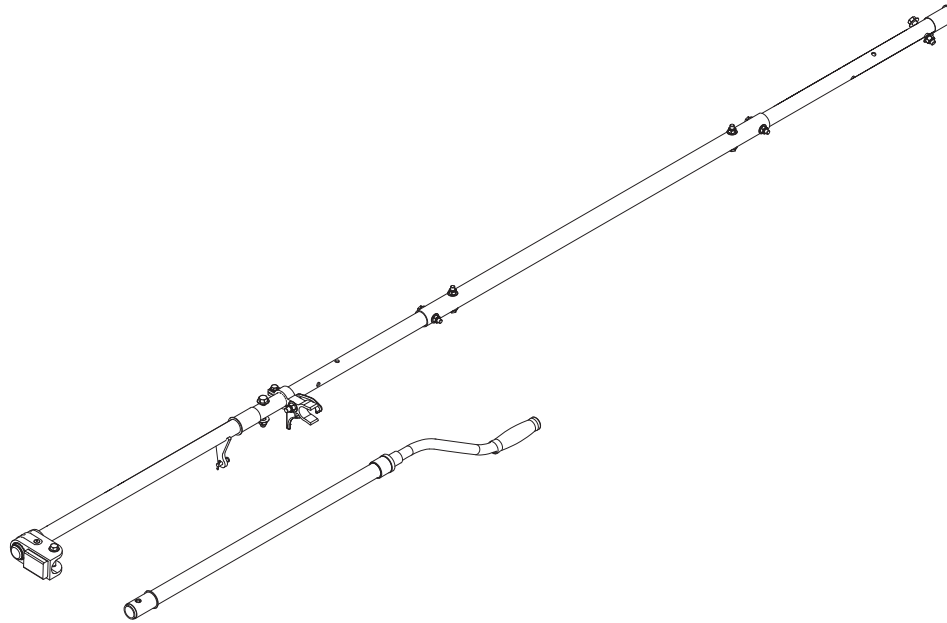


FEA-0015

Right Hand Rotation Driveshaft

Approximate dimensions as shown:

- A: Crossbar Spacing 4'-6'
- B: Length 98"



Assembly Manual also available:

[FEA-0015](#)

USOV-[FEA0015](#)-US01 Rev-D 1221