

FEA-0008

RH/LH Clamp Down Module

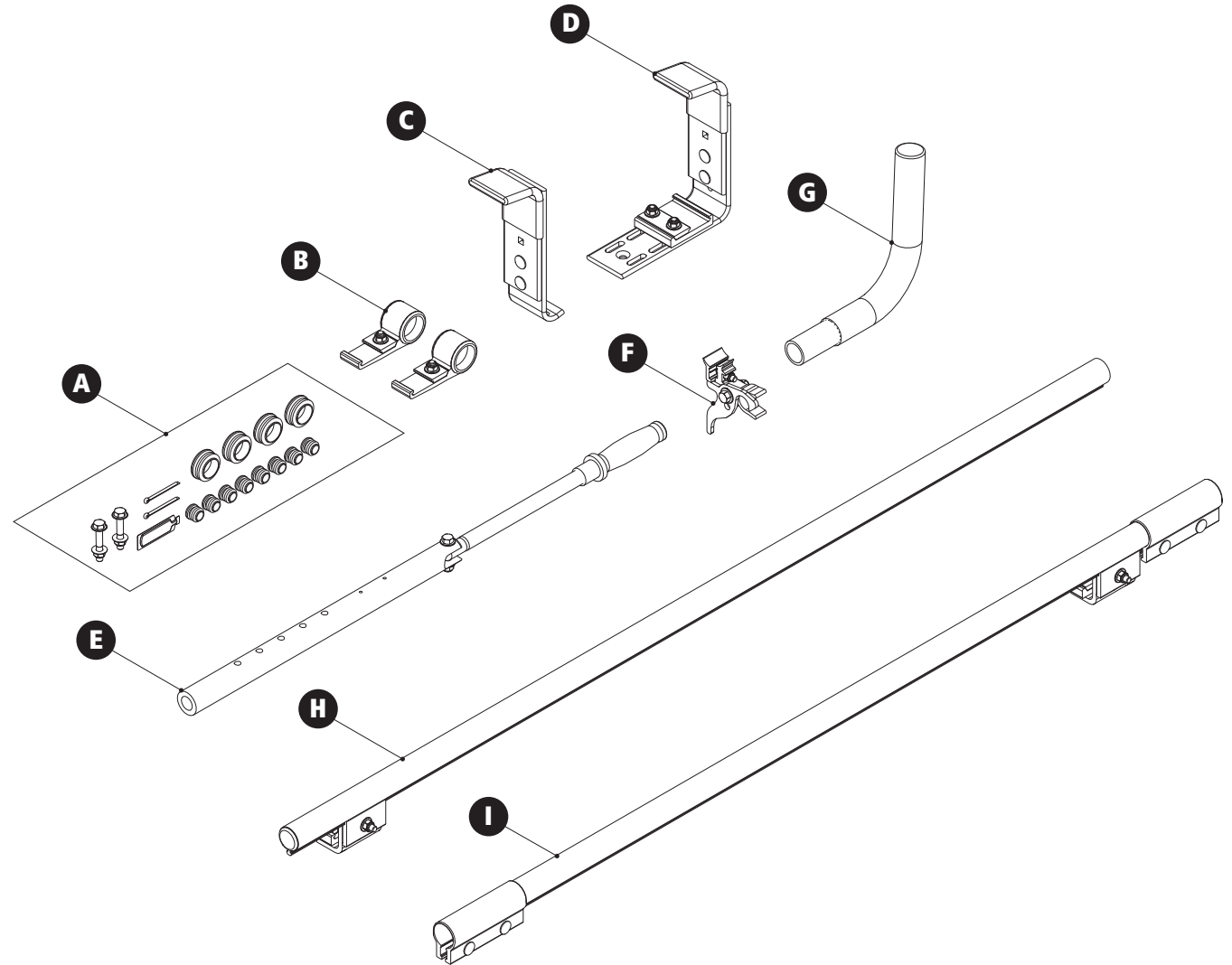
Dimensional Specifications on Page 2

Configuration as shown:

4'–8' Clamp Down, Powder Coat Finish
Kit Weight: 25 lbs

- A:HKT-8403 Hardware Kit
- B:CDR-8151 Rear Bracket (x2)
- C:CDR-8813 Rear Clamp
- D:CDR-8044 Front Hook
- E:CDR-8826 Handle Assembly
- F:RKT-7891 Handle Clamp
- G:CDR-7215 Clamp Down Horn
- H:CDR-8400 Rear Tube
- I:CDR-8402 Front Tube

[Modular Assembly Manuals](#)



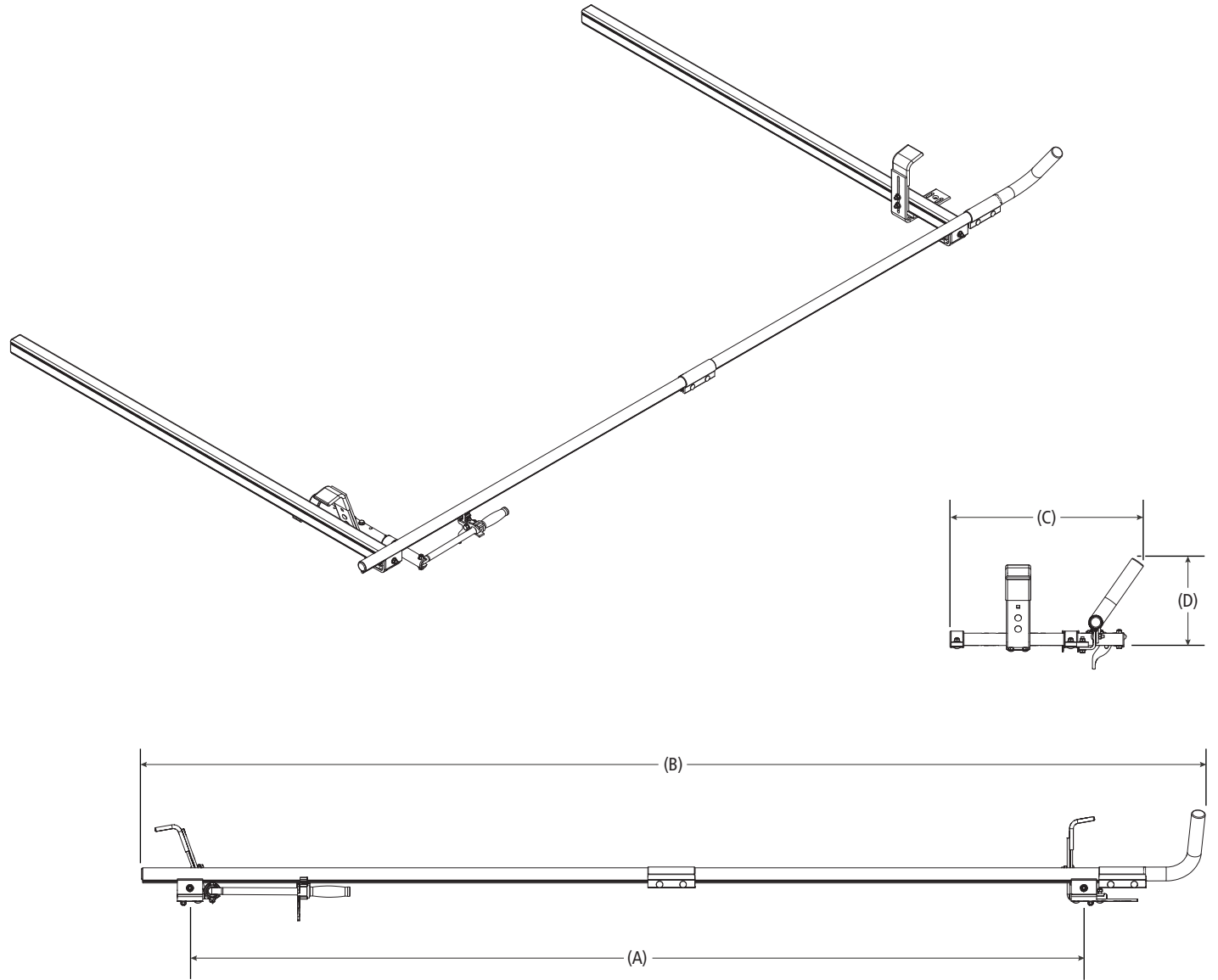
FEA-0008

RH/LH Clamp Down Module

Shown with Crossbars for illustrative purposes only

Approximate dimensions as shown:

- A: Crossbar Spacing8'
- B: Length 114"
- C: Width.....20"
- D: Height9"



Assembly Manual also available:

[FEA-0008](#)

USOV-FEA0008-US01 Rev-C 1221