

FEA-0003

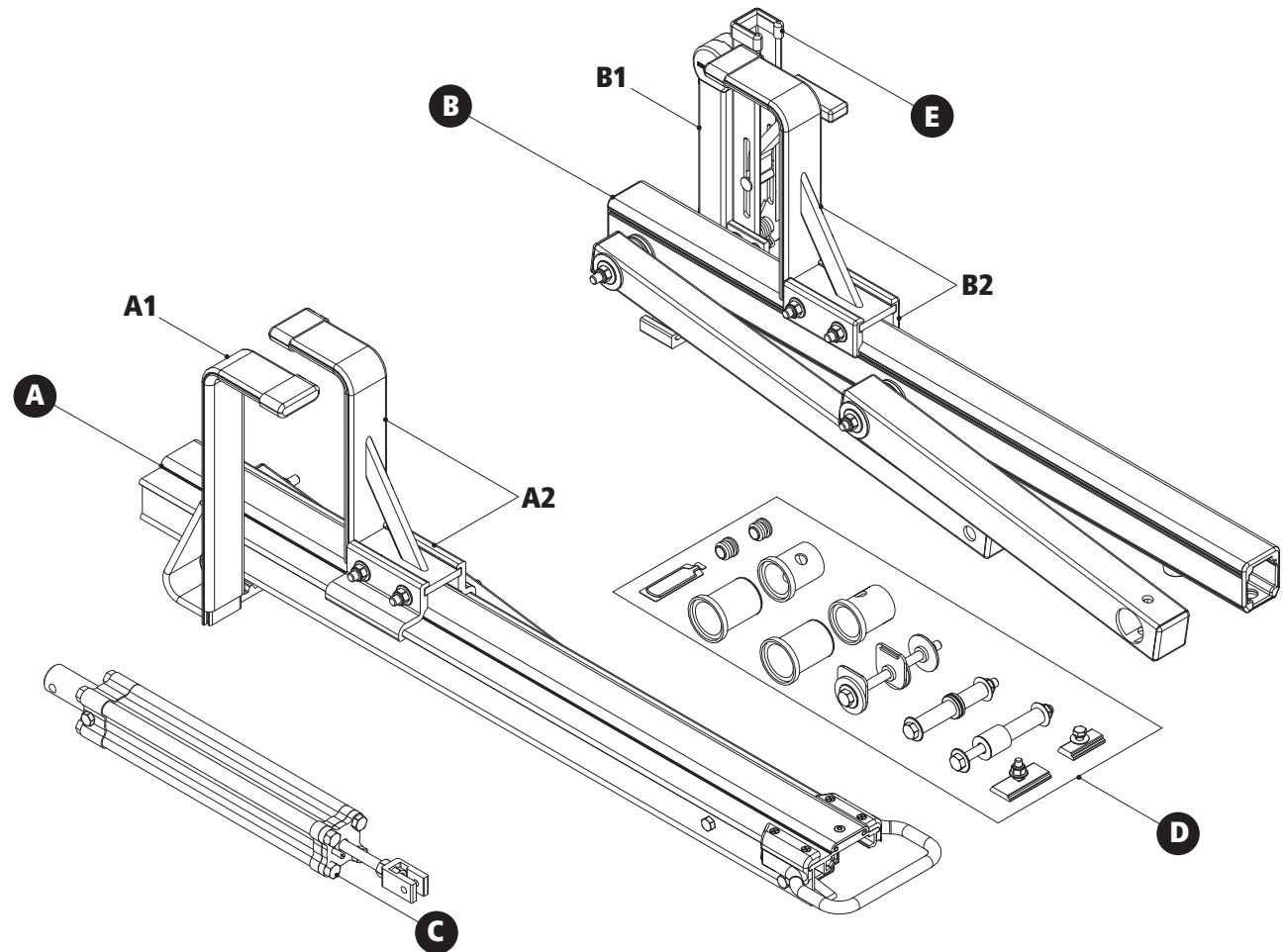
Slide Rotation Module

Configuration as shown:

Slide Rotation Right, Powder Coat Finish
Kit Weight: 36 lbs

- A: ELR-8400 RH Slide Assembly
- A1: RKT-7818 RH Bottom Z-Post
- A2: RKT-7894 Slide Top Z-Post Assembly
- B: ELR-8401 LH Rear/RH Front Rotation
- B1: RKT-7854 L-Post
- B2: RKT-7856 Front Z-Post Assembly
- C: ACL-125 Cylinder
- D: HKT-8400 Rotation Module Hardware
- E: RKT-7892 RH Front/LH Rear Auto Clamp

[Modular Assembly Manuals](#)



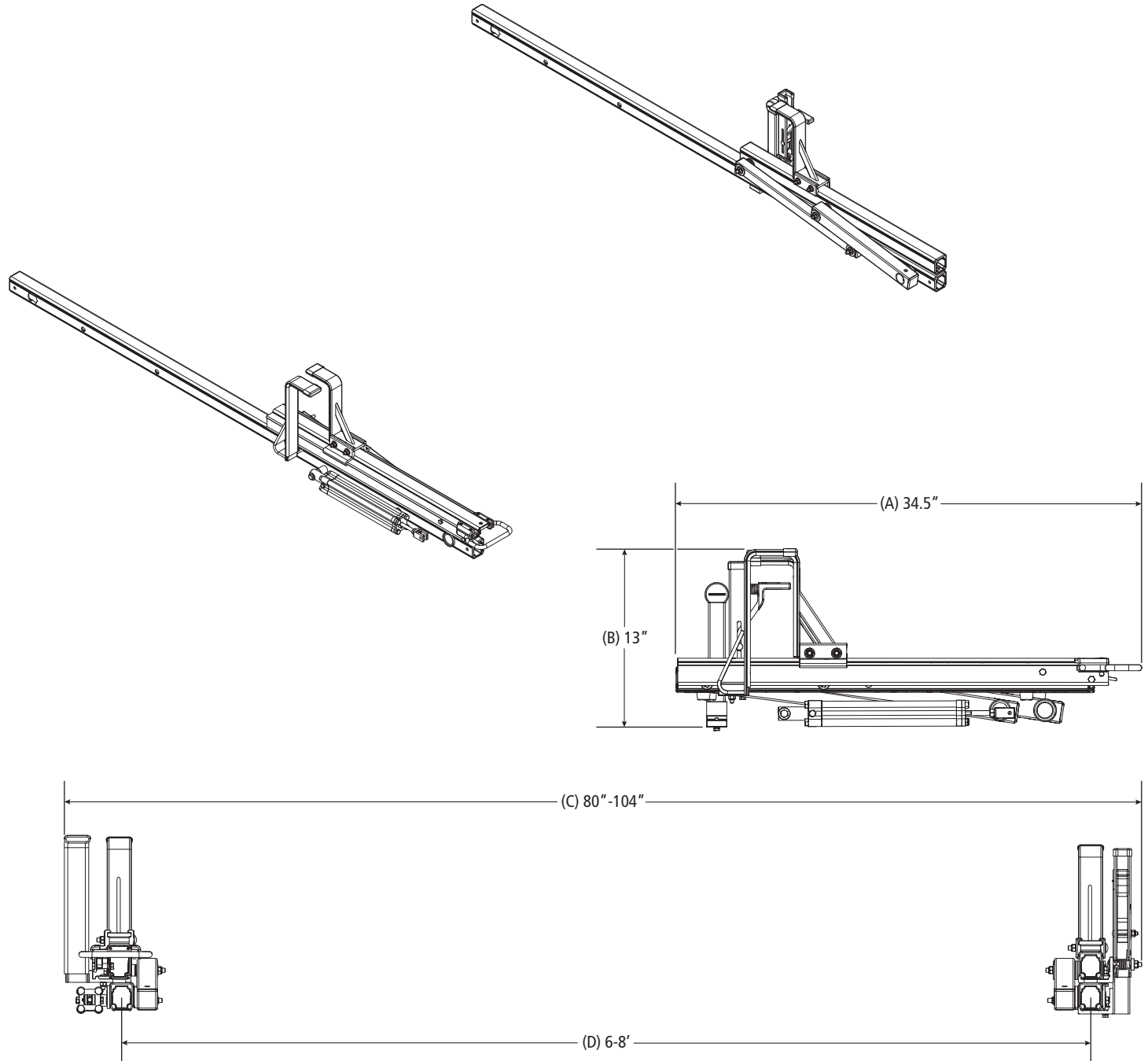
FEA-0003

Slide Rotation Kit

Shown with Crossbars for illustrative purposes only

Approximate dimensions as shown:

- A: Rotation Width.....34.5"
- B: Rotation Height.....13'
- C: Rotation Length80"-104"
- D: Crossbar Spacing6'-8'



Assembly Manual also available:

[FEA-0003](#)

USOV-FEA0003-US01 Rev-A 1221